

SUBMITTAL - 60,000BTU DUCTED - M18

Job Name: _____
Location: _____
Engineer: _____
Submitted By: _____
Submitted To: _____

Submitted For: _____ **Approval**
Reference **Construction**
Date: _____
Unit Tag: _____
Drawing No.: _____

WARRANTY

Standard 10 Years Parts & Compressor
 Terms & Conditions Apply.

TYPE

Air Source Heat Pump
 Cold Climate Air Source Heat Pump

MODELS

Indoor DUA60HIDU230X5
 Outdoor DMC60HOS18230S5A

CAPACITY RANGE¹

Output (Btu/h)	Min.	Rated	Max.
Cooling	15000	59000	62000
Heating	14000	60000	60500

HEATING PERFORMANCE²

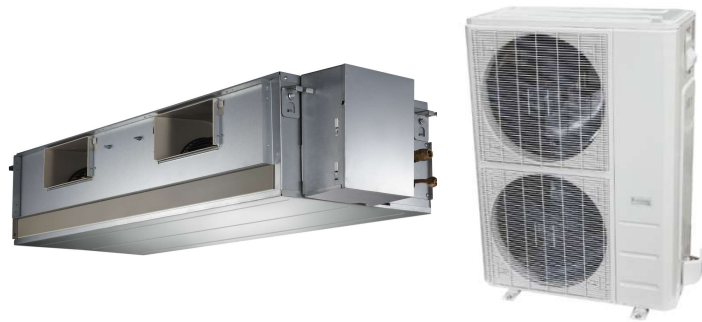
Output (Btu/h)	Min.	Rated	Max.
47°F (8.3°C)	14000	60000	60500
17°F (-8.3°C)	8200	34400	36000
5°F (-15°C)	7000	30200	31000
-13°F (-25°C)	4400	24600	24600

OUTDOOR TEMPERATURE OPERATING RANGE

Cooling	-15 ~ 50 °C	5 ~ 122 °F
Heating ³	-25 ~ 24 °C	-13 ~ 75 °F

LINE SET & REFRIGERANT

Liquid (in.)	3/8"	Gas (in.)	7/8"
Connection Type	Flared		
Pre-Charge Length (ft)	25		
Maximum Length (ft)	213.2		
Maximum Height Difference (ft)	98.4		
Refrigerant Type	R410A		
Pre-Charge (oz)	169.32		
Additional Charge per Foot (oz)	0.32		
Oil Type	VG74	Oil Volume (ml)	1400
Drain Pipe O.D. (mm)	25		



Images for reference only.

CERTIFIED

AHRI NO.	
214810328	

EFFICIENCY RATINGS

SEER2	17			
EER2	10.3			
HSPF2 (4)	8.4			
HSPF2 (5)	6.5			
COP ²	47°F (8.3°C)	17°F (-8.3°C)	5°F (-15°C)	-13°F (-25°C)
	3.52	2.37	2	1.62

ELECTRICAL

Power Supply	(V/Ph/Hz)	208-230/1/60		
Voltage Range	(V)	187-253		
MCA (A)	39	Max Fuse (ODU) (A)	50	
Power Input (W)	Min.	Rated	Max.	
	Cooling	1100	5700	6346
Heating	1500	5000	5000	
Current (A)	Min.	Rated	Max.	
	Cooling	4.8	25	28
Heating	6.6	22	22.5	

1. Cooling Capacity Conditions: Indoor Temperature @ 80°F (26.7°C) DB; 67°F (19.4°C) WB with Outdoor Temperature @ 95°F (35°C) DB; 75°F (23.9°C) WB. Heating Capacity Conditions: Indoor Temperature @ 70°F (21.1°C) DB; 60°F (15.6°C) WB with Outdoor Temperature @ 47°F (8.3°C) DB; 43°F (6.1°C) WB. Line Set @ 25ft (7.5m); Height Difference @ 0ft (0m). 2. COP for all temperatures is @ rated output except when rated output is not given. In that case, COP is @ max. output. 3. System continues to operate below rated outdoor temperature operating range, subject to varying conditions. System has no low temperature cutout. Capacity is not tested outside of the rated temperature range. | Master Group is not responsible for the accuracy and validity of any changes made to this document without the written authorization of Master Group. Specifications subject to change without notice.

DIMENSIONS & WEIGHTS			
Indoor	Net (WxDxH; in.)	55.12x33.78x18.11	
	Gross (WxDxH; in.)	63.19x35.83x21.06	
	Net Weight lbs kg	174.6	79.2
	Gross Weight lbs kg	200.4	90.9
Outdoor	Net (WxDxH; in.)	37.48x16.34x52.48	
	Gross (WxDxH; in.)	43.11x19.49x58.27	
	Net Weight lbs kg	217.15	98.5
	Gross Weight lbs kg	248.24	112.6

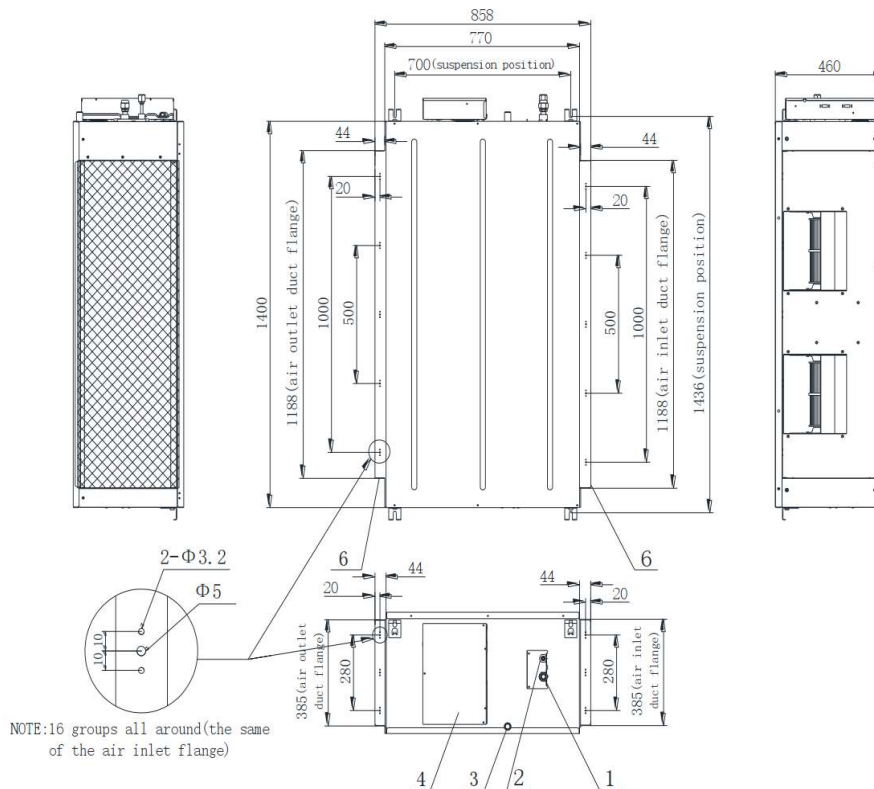
KEY FEATURES	
Rotary Inverter Compressor	<input checked="" type="checkbox"/>
Twin Rotary Inverter Compressor	<input type="checkbox"/>
Base Pan Heater	<input checked="" type="checkbox"/>
Crankcase Heater	<input checked="" type="checkbox"/>

INCLUDED ACCESSORIES	
KJR-12B Wired Controller	<input type="checkbox"/>
	<input type="checkbox"/>
	<input type="checkbox"/>
	<input type="checkbox"/>
	<input type="checkbox"/>
	<input type="checkbox"/>

FAN				
Indoor	Turbo	High	Med.	Low
CFM	2302	2155	1709	1261
dB(A)		57	54	51
Indoor ESP Range inWG				0-0.8
Indoor Moisture Removal (l/h)				5.58
Outdoor Max. CFM				2647
Outdoor Max. dB(A)				62.5

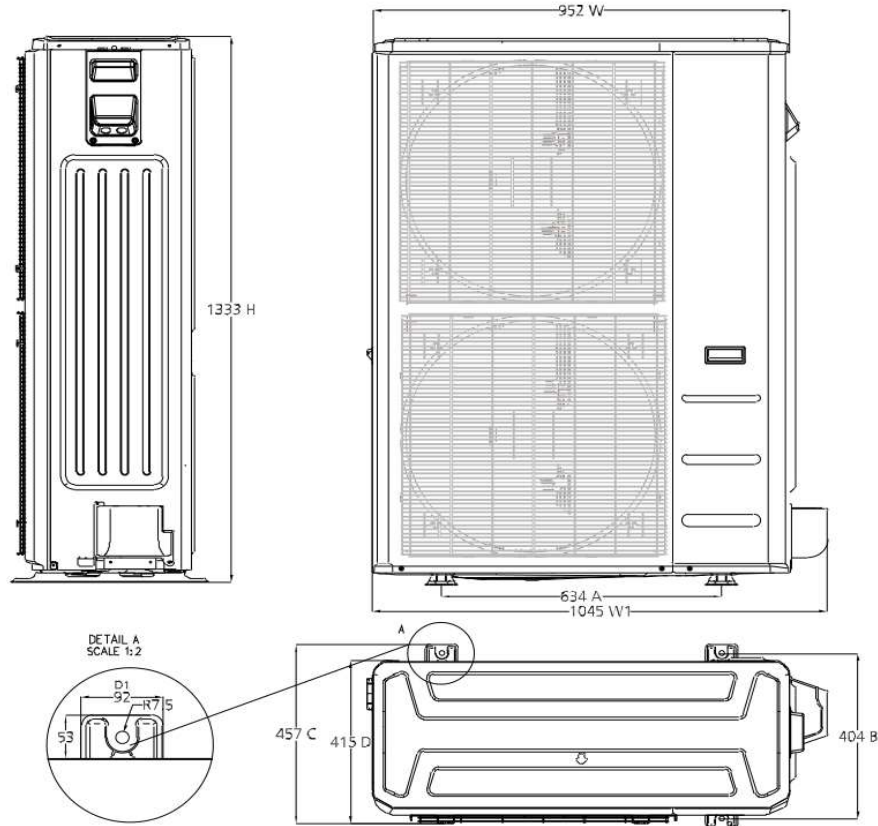
OPTIONAL ACCESSORIES ⁴	
WF-60A1-F - Smart Port	<input type="checkbox"/>
KJR-120L(R1)/EFU1 - Wired Controller	<input type="checkbox"/>
KJR-120N(X6)/BGEF - Wired Controller	<input type="checkbox"/>
KJR-120N(X6W)/BGEF - Wired Controller	<input type="checkbox"/>
24VINTERFACEKITUNIVERSAL	<input type="checkbox"/>
	<input type="checkbox"/>
	<input type="checkbox"/>
	<input type="checkbox"/>
	<input type="checkbox"/>
	<input type="checkbox"/>

INDOOR UNIT DRAWING

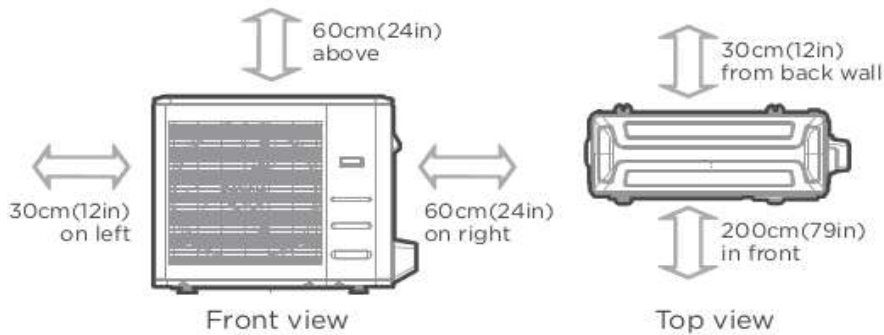


Drawing dimensions are nominal. Specifications subject to change without notice. ⁴ Connection of these accessories may require secondary items not listed; refer to full product literature.

OUTDOOR UNIT DRAWING



OUTDOOR UNIT CLEARANCES



Note: Outdoor units must be elevated 12-24in. (30.5-61cm) above the surface below in heating applications to allow for snow clearance and defrost runoff. Follow local best-practices and guidelines.

Diagrams for reference only.

NOTES