

Note: Model phase-out; only available while supplies last.

SUBMITTAL - 48,000BTU CEILING CASSETTE - M28

Job Name: _____

Location: _____

Engineer: _____

Submitted By: _____

Submitted To: _____

Submitted For: _____

Reference **Approval**

Date: _____

Unit Tag: _____

Drawing No.: _____

Construction

WARRANTY

Standard 10 Years Parts & Compressor

Terms & Conditions Apply.

TYPE

Air Source Heat Pump

Cold Climate Air Source Heat Pump

MODELS

Indoor DUA48HICU230X5

Outdoor DMA48HOS28230E8

CAPACITY RANGE¹

Output (Btu/h)	Min.	Rated	Max.
Cooling	12200	48000	48900
Heating	15900	53000	58000

HEATING PERFORMANCE²

Output (Btu/h)	Min.	Rated	Max.
47°F (8.3°C)	15900	53000	58000
17°F (-8.3°C)	9600	35000	46000
5°F (-15°C)	6700	48000	48000
-22°F (-30°C)	2400	22000	22000

OUTDOOR TEMPERATURE OPERATING RANGE

Cooling	-15 ~ 50 °C	5 ~ 122 °F
Heating ³	-30 ~ 24 °C	-22 ~ 75 °F

LINE SET & REFRIGERANT

Liquid (in.)	3/8"	Gas (in.)	5/8"
Connection Type	Flared		
Pre-Charge Length (ft)	25		
Max. Length (ft)	213.2		
Max. Height Difference (ft)	98.4		
Refrigerant Type	R410A		
Pre-Charge (oz)	148.2		
Additional Charge per Foot (oz)	0.32		
Oil Type	VG74	Oil Volume (ml)	1460±15
Drain Pipe O.D. (mm)	25		



Images for reference only.

CERTIFIED

AHRI NO.

207742513



EFFICIENCY RATINGS

SEER2	16.8			
EER2	8.3			
HSPF2 (4)	10.7			
HSPF2 (5)	8.5			
COP ²	47°F (8.3°C)	17°F (-8.3°C)	5°F (-15°C)	-22°F (-30°C)
	3.17	2.59	1.98	1.4

ELECTRICAL

Power Supply	(V/Ph/Hz)	208-230/1/60		
Voltage Range	(V)	187-253		
MCA (A)	40	Max Fuse (ODU) (A)	50	
Power Input (W)	Min.	Rated	Max.	
	Cooling	570	6070	6100
Heating	870	4900	5690	
Current (A)	Min.	Rated	Max.	
	Cooling	4.3	25.24	25.8
Heating	4.33	21.92	24.9	

1. Cooling Capacity Conditions: Indoor Temperature @ 80°F (26.7°C) DB; 67°F (19.4°C) WB with Outdoor Temperature @ 95°F (35°C) DB; 75°F (23.9°C) WB. Heating Capacity Conditions: Indoor Temperature @ 70°F (21.1°C) DB; 60°F (15.6°C) WB with Outdoor Temperature @ 47°F (8.3°C) DB; 43°F (6.1°C) WB. Line Set @ 25ft (7.5m); Height Difference @ 0ft (0m). 2. COP for all temperatures is @ rated output except when rated output is not given. In that case, COP is @ max. output. 3. System continues to operate below rated outdoor temperature operating range, subject to varying conditions. System has no low temperature cutout. Capacity is not tested outside of the rated temperature range. | Master Group is not responsible for the accuracy and validity of any changes made to this document without the written authorization of Master Group. Specifications subject to change without notice.

DIMENSIONS & WEIGHTS			
Indoor	Net (WxDxH; in.)	32.68x32.68x11.30	
	Gross (WxDxH; in.)	35.83x35.83x12.99	
	Net Weight lbs kg	64.59	29.3
	Gross Weight lbs kg	74.07	33.6
Outdoor	Net (WxDxH; in.)	37.48x16.34x52.48	
	Gross (WxDxH; in.)	43.11x19.49x58.27	
	Net Weight lbs kg	227.07	103
	Gross Weight lbs kg	255.73	116

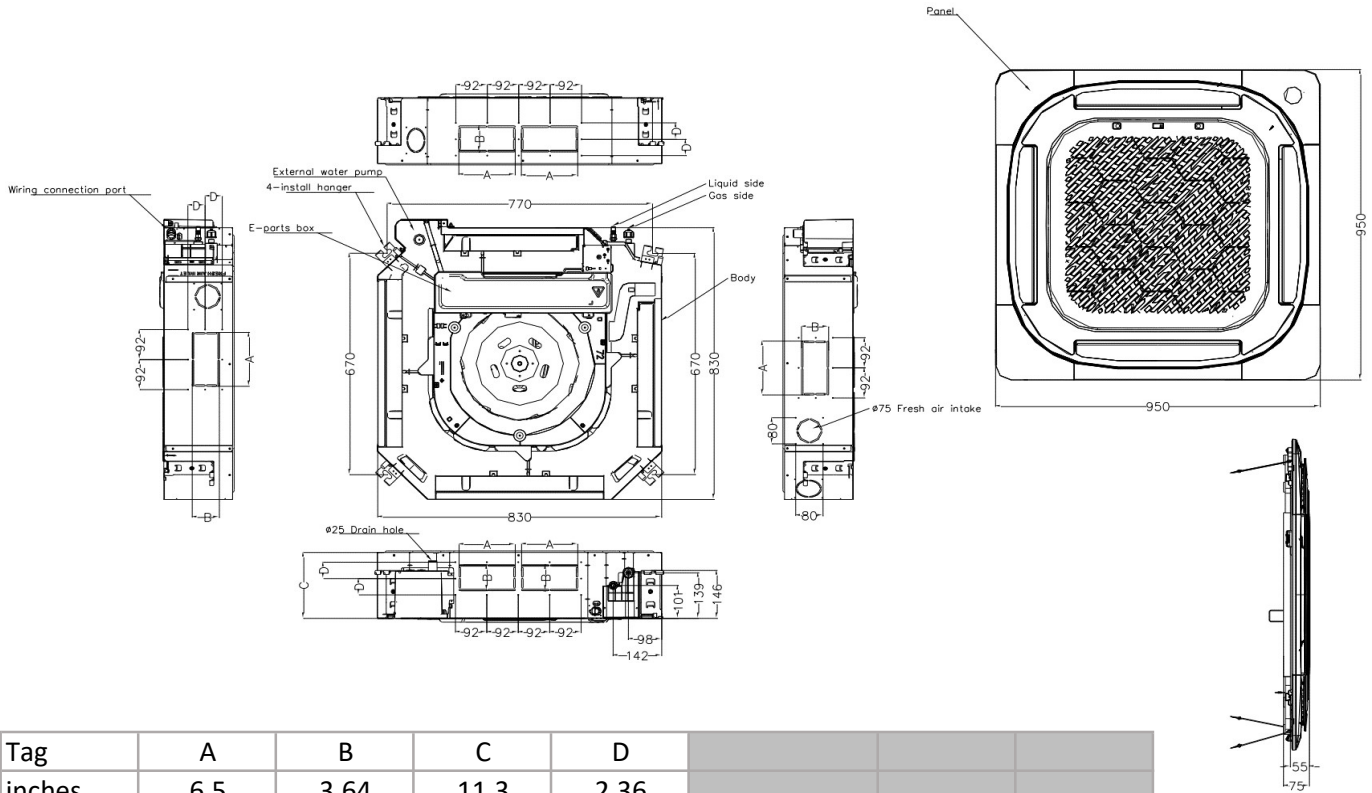
KEY FEATURES	
Rotary Inverter Compressor	<input checked="" type="checkbox"/>
Twin Rotary Inverter Compressor	<input type="checkbox"/>
Base Pan Heater	<input checked="" type="checkbox"/>
Crankcase Heater	<input checked="" type="checkbox"/>

INCLUDED ACCESSORIES	
RG10A(D2S)/BGEFU1 - Remote Controller	

FAN				
Indoor	Turbo	High	Med.	Low
CFM	1288	1170	1058	935
dB(A)		55.5	52.5	50
Indoor ESP Range inWG				
Indoor Moisture Removal (l/h)				5.4
Outdoor Max. CFM				4500
Outdoor Max. dB(A)				66.5

OPTIONAL ACCESSORIES ⁴	
CASSETTEGRILL2448A - Required	<input type="checkbox"/>
WF-60A1-F - Smart Port	<input type="checkbox"/>
KJR-120L(R1)/EFU1 - Wired Controller	<input type="checkbox"/>
KJR-120N(X6)/BGEF - Wired Controller	<input type="checkbox"/>
KJR-120N(X6W)/BGEF - Wired Controller	<input type="checkbox"/>
24VINTERFACEKITUNIVERSAL	<input type="checkbox"/>
	<input type="checkbox"/>
	<input type="checkbox"/>
	<input type="checkbox"/>
	<input type="checkbox"/>
	<input type="checkbox"/>

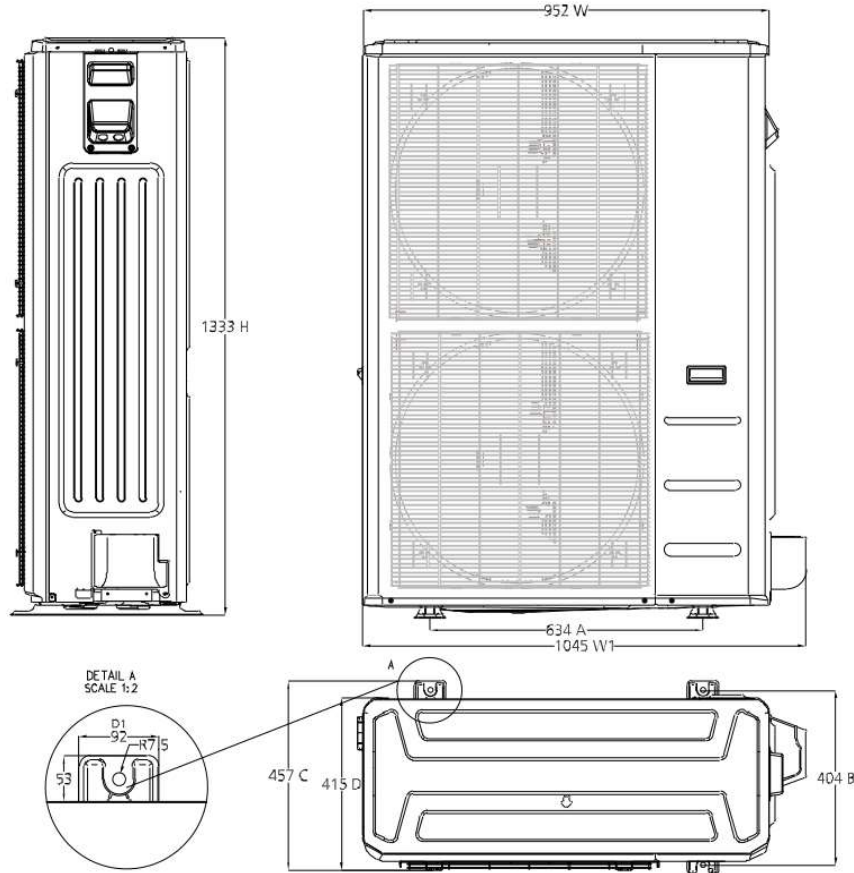
INDOOR UNIT DRAWING



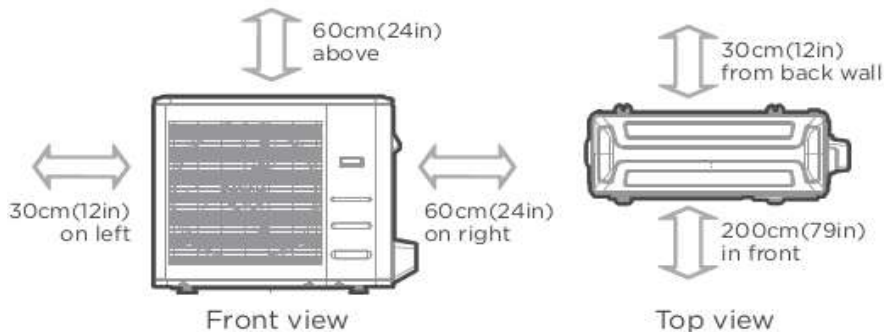
Tag	A	B	C	D
inches	6.5	3.64	11.3	2.36
mm	165	100	287	60

Drawing dimensions are nominal. Specifications subject to change without notice. 4. Connection of these accessories may require secondary items not listed; refer to full product literature.

OUTDOOR UNIT DRAWING



OUTDOOR UNIT CLEARANCES



Note: Outdoor units must be elevated 12-24in. (30.5-61cm) above the surface below in heating applications to allow for snow clearance and defrost runoff. Follow local best-practices and guidelines.

Diagrams for reference only.

NOTES