

SUBMITTAL - 48,000BTU CASED COIL - C CABINET

Job Name: _____
Location: _____
Engineer: _____
Submitted By: _____
Submitted To: _____

Submitted For: _____ **Approval**
Reference **Construction**
Date: _____
Unit Tag: _____
Drawing No.: _____

WARRANTY

Standard 10 Years Parts & Compressor

Terms & Conditions Apply.

TYPE

Air Source Heat Pump

Cold Climate Air Source Heat Pump

MODELS

Indoor CUB48HAC20CWT7A

Outdoor DMA48HOS20230E7

CAPACITY RANGE¹

Output (Btu/h)	Min.	Rated	Max.
Cooling	16500	46000	47000
Heating	25000	51000	57000

HEATING PERFORMANCE²

Output (Btu/h)	Min.	Rated	Max.
47°F (8.3°C)	25000	51000	57000
17°F (-8.3°C)	9900	32000	45000
5°F (-15°C)	13500	40000	40000
-22°F (-30°C)	6950		30000

OUTDOOR TEMPERATURE OPERATING RANGE

Cooling	-15 ~ 50 °C	5 ~ 122 °F
Heating ³	-30 ~ 24 °C	-22 ~ 75 °F

LINE SET & REFRIGERANT

Liquid (in.)	3/8"	Gas (in.)	3/4"
Connection Type	Flared		
Pre-Charge Length (ft)	25		
Max. Length (ft)	213.25		
Max. Height Difference (ft)	98.42		
Refrigerant Type	R410A		
Pre-Charge (oz)	169.31		
Additional Charge per Foot (oz)	0.69		
Oil Type	VG74	Oil Volume (ml)	1460
Drain Connection (inches)	3/4"		



Images for reference only.

CERTIFIED

AHRI NO.	
212615028	

EFFICIENCY RATINGS

SEER2	14.3			
EER2	8.6			
HSPF2 (4)	9			
HSPF2 (5)	7.5			
COP ²	47°F (8.3°C)	17°F (-8.3°C)	5°F (-15°C)	-22°F (-30°C)
	3.04	2.36	1.8	1.52

ELECTRICAL

Power Supply	(V/Ph/Hz)	208-230/1/60		
Voltage Range	(V)	187-253		
MCA (A)	40	Max Fuse (ODU) (A)	50	
Power Input (W)	Min.	Rated	Max.	
	Cooling	560	5400	5720
Heating	800	5020	6200	
Current (A)	Min.	Rated	Max.	
	Cooling	2.4	22.5	25.3
Heating	4	21.5	25.5	

1. Cooling Capacity Conditions: Indoor Temperature @ 80°F (26.7°C) DB; 67°F (19.4°C) WB with Outdoor Temperature @ 95°F (35°C) DB; 75°F (23.9°C) WB. Heating Capacity Conditions: Indoor Temperature @ 70°F (21.1°C) DB; 60°F (15.6°C) WB with Outdoor Temperature @ 47°F (8.3°C) DB; 43°F (6.1°C) WB. Line Set @ 25ft (7.5m); Height Difference @ 0ft (0m). 2. COP for all temperatures is @ rated output except when rated output is not given. In that case, COP is @ max. output. 3. System continues to operate below rated outdoor temperature operating range, subject to varying conditions. System has no low temperature cutout. Capacity is not tested outside of the rated temperature range. | Cased coil unit has a continuous operating temperature limit of 248°F (120°C); this product is not recommended for applications where there is a risk of exceeding this limit (such as with an oil furnace). It is the installer's responsibility to ensure the installation respects this temperature limit. Master Group is not responsible for the accuracy and validity of any changes made to this document without the written authorization of Master Group. Specifications subject to change without notice.

DIMENSIONS & WEIGHTS

Indoor	Net (WxDxH; in.)	20.98x20.98x23.98	
	Gross (WxDxH; in.)	24.02x26.18x26.38	
	Net Weight lbs kg	66.58	30.2
	Gross Weight lbs kg	77.16	35
Outdoor	Net (WxDxH; in.)	37.48x16.34x52.48	
	Gross (WxDxH; in.)	43.11x19.49x58.27	
	Net Weight lbs kg	220.24	99.9
	Gross Weight lbs kg	248.9	112.9

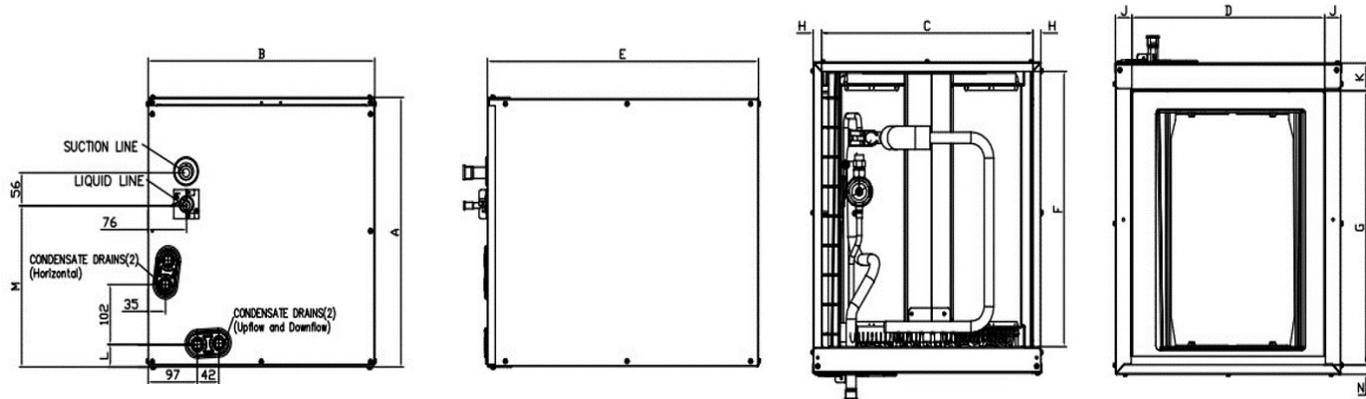
KEY FEATURES

Rotary Inverter Compressor	<input checked="" type="checkbox"/>
Twin Rotary Inverter Compressor	<input type="checkbox"/>
Base Pan Heater	<input checked="" type="checkbox"/>
Crankcase Heater	<input checked="" type="checkbox"/>

INCLUDED ACCESSORIES

Adaptor for welding(3/8")
Adaptor for welding(3/4")

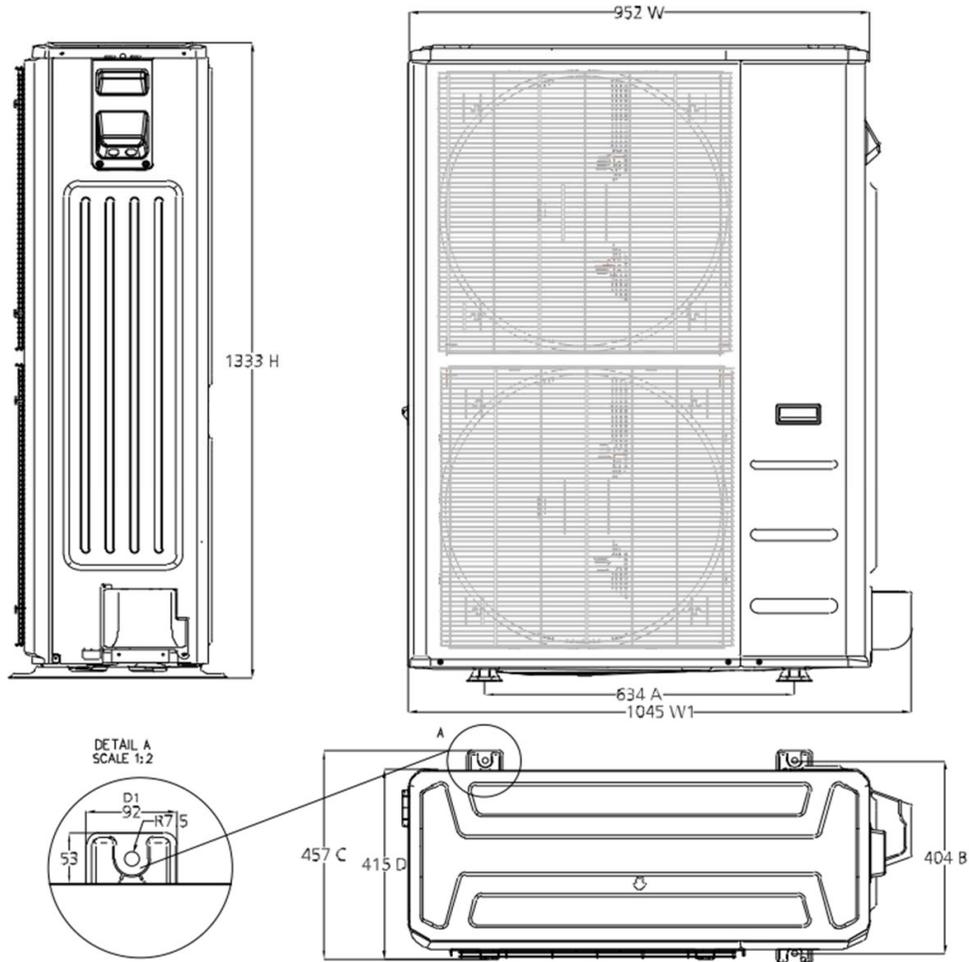
INDOOR UNIT DRAWING



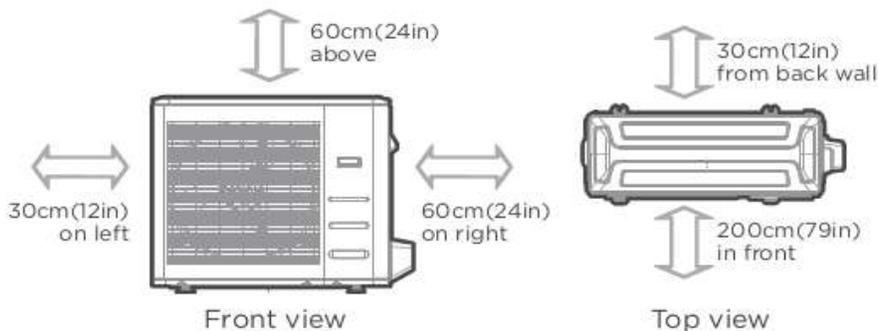
Tag	A	B	C	D	E	F	G	H	I
inches	24	21	19-3/4	19-1/2	21	18-5/8	18-1/2	5/8	1-3/4
mm	609	533	502	496	533	473	470	16	45
Tag	J	K	L	M	N				
inches	3/4	1-13/16	2-1/8	16-5/16	3/4				
mm	19	46	54	414	19				

Drawing dimensions are nominal. Specifications subject to change without notice. 4. Connection of these accessories may require secondary items not listed; refer to full product literature.

OUTDOOR UNIT DRAWING



OUTDOOR UNIT CLEARANCES



Note: Outdoor units must be elevated 12-24in. (30.5-61cm) above the surface below in heating applications to allow for snow clearance and defrost runoff. Follow local best-practices and guidelines.

Diagrams for reference only.

NOTES