

SUBMITTAL - 36,000BTU DUCTED - M18

Job Name: _____
Location: _____
Engineer: _____
Submitted By: _____
Submitted To: _____

Submitted For: _____ **Approval**
Reference **Construction**
Date: _____
Unit Tag: _____
Drawing No.: _____

WARRANTY

Standard 10 Years Parts & Compressor
 Terms & Conditions Apply.

TYPE

Air Source Heat Pump
 Cold Climate Air Source Heat Pump

MODELS

Indoor DUA36HIDU230X5
 Outdoor DMA36HOS18230S5

CAPACITY RANGE¹

Output (Btu/h)	Min.	Rated	Max.
Cooling	8900	36000	36000
Heating	10300	40000	40000

HEATING PERFORMANCE²

Output (Btu/h)	Min.	Rated	Max.
47°F (8.3°C)	10300	40000	40000
17°F (-8.3°C)	8100	25000	26000
5°F (-15°C)	5400	22000	22000
-13°F (-25°C)	3400		15500

OUTDOOR TEMPERATURE OPERATING RANGE

Cooling	-15 ~ 50 °C	5 ~ 122 °F
Heating ³	-25 ~ 24 °C	-13 ~ 75 °F

LINE SET & REFRIGERANT

Liquid (in.)	3/8"	Gas (in.)	5/8"
Connection Type	Flared		
Pre-Charge Length (ft)	25		
Maximum Length (ft)	213.2		
Maximum Height Difference (ft)	98.4		
Refrigerant Type	R410A		
Pre-Charge (oz)	112.88		
Additional Charge per Foot (oz)	0.32		
Oil Type	VG74	Oil Volume (ml)	1000
Drain Pipe O.D. (mm)	25		



Images for reference only.

CERTIFIED

AHRI NO.	
207742518	

EFFICIENCY RATINGS

SEER2	15.8			
EER2	8.8			
HSPF2 (4)	8.8			
HSPF2 (5)	7			
COP ²	47°F (8.3°C)	17°F (-8.3°C)	5°F (-15°C)	-13°F (-25°C)
	3.3	2.49	1.91	1.42

ELECTRICAL

Power Supply	(V/Ph/Hz)	208-230/1/60		
Voltage Range	(V)	187-253		
MCA (A)	30	Max Fuse (ODU) (A)	45	
Power Input (W)	Min.	Rated	Max.	
	Cooling	351	4091	4286
Heating	776	3539	3539	
Current (A)	Min.	Rated	Max.	
	Cooling	2.85	18.63	18.63
Heating	5.44	15.39	15.39	

1. Cooling Capacity Conditions: Indoor Temperature @ 80°F (26.7°C) DB; 67°F (19.4°C) WB with Outdoor Temperature @ 95°F (35°C) DB; 75°F (23.9°C) WB. Heating Capacity Conditions: Indoor Temperature @ 70°F (21.1°C) DB; 60°F (15.6°C) WB with Outdoor Temperature @ 47°F (8.3°C) DB; 43°F (6.1°C) WB. Line Set @ 25ft (7.5m); Height Difference @ 0ft (0m). 2. COP for all temperatures is @ rated output except when rated output is not given. In that case, COP is @ max. output. 3. System continues to operate below rated outdoor temperature operating range, subject to varying conditions. System has no low temperature cutout. Capacity is not tested outside of the rated temperature range. | Master Group is not responsible for the accuracy and validity of any changes made to this document without the written authorization of Master Group. Specifications subject to change without notice.

DIMENSIONS & WEIGHTS

Indoor	Net (WxDxH; in.)	53.54x30.47x9.80	
	Gross (WxDxH; in.)	61.81x31.69x12.99	
	Net Weight lbs kg	110.89	50.3
	Gross Weight lbs kg	128.09	58.1
Outdoor	Net (WxDxH; in.)	37.24x16.14x31.89	
	Gross (WxDxH; in.)	42.91x19.69x34.84	
	Net Weight lbs kg	155.42	70.5
	Gross Weight lbs kg	166.23	75.4

KEY FEATURES

Rotary Inverter Compressor	<input checked="" type="checkbox"/>
Twin Rotary Inverter Compressor	<input type="checkbox"/>
Base Pan Heater	<input checked="" type="checkbox"/>
Crankcase Heater	<input checked="" type="checkbox"/>

INCLUDED ACCESSORIES

KJR-120L(R1)/EFU1 - Wired Controller	

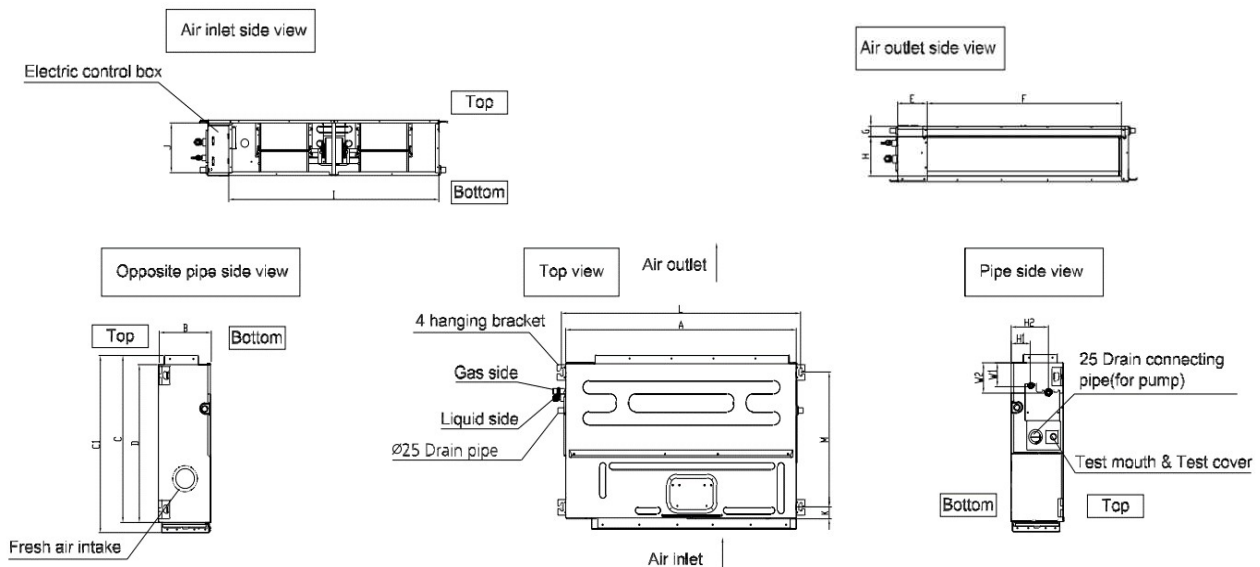
FAN

Indoor	Turbo	High	Med.	Low
CFM		1081	912	702
dB(A)		48	43.5	40.5
Indoor ESP Range inWG				0-0.64
Indoor Moisture Removal (l/h)				3.2
Outdoor Max. CFM				3000
Outdoor Max. dB(A)				65

OPTIONAL ACCESSORIES⁴

WF-60A1-F - Smart Port	<input type="checkbox"/>
KJR-120N(X6)/BGEF - Wired Controller	<input type="checkbox"/>
KJR-120N(X6W)/BGEF - Wired Controller	<input type="checkbox"/>
24VINTERFACEKITUNIVERSAL	<input type="checkbox"/>
	<input type="checkbox"/>
	<input type="checkbox"/>
	<input type="checkbox"/>
	<input type="checkbox"/>
	<input type="checkbox"/>
	<input type="checkbox"/>
	<input type="checkbox"/>

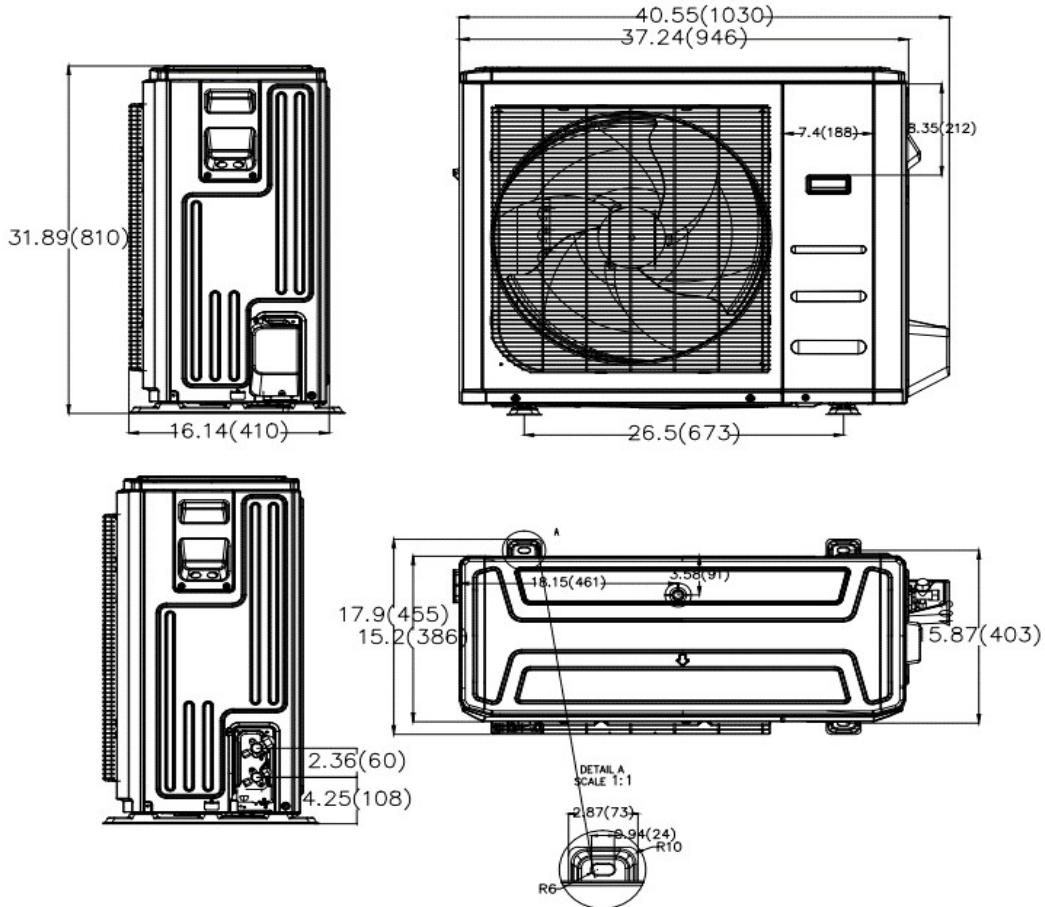
INDOOR UNIT DRAWING



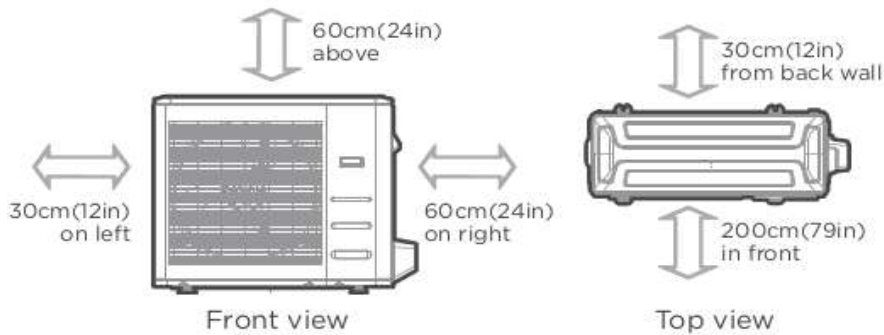
Tag	A	B	C	C1	D	E	F	G	H
inches	53.5	9.8	28.9	30.5	27.6	5.5	46.7	2	6.9
mm	1360	249	734	774	700	140	1186	50	175
Tag	I	J	K	L	M	H1	H2	W1	W2
inches	49.6	9	2	55.1	23.5	3.1	5.9	5.1	6.1
mm	1261	228	50	1400	598	80	150	130	155

Drawing dimensions are nominal. Specifications subject to change without notice. 4. Connection of these accessories may require secondary items not listed; refer to full product literature.

OUTDOOR UNIT DRAWING



OUTDOOR UNIT CLEARANCES



Note: Outdoor units must be elevated 12-24in. (30.5-61cm) above the surface below in heating applications to allow for snow clearance and defrost runoff. Follow local best-practices and guidelines.

Diagrams for reference only.

NOTES