

SUBMITTAL - 36,000BTU CEILING CASSETTE - M18

Job Name: _____
Location: _____
Engineer: _____
Submitted By: _____
Submitted To: _____

Submitted For: _____ **Approval**
Reference **Construction**
Date: _____
Unit Tag: _____
Drawing No.: _____

WARRANTY

Standard 10 Years Parts & Compressor

Terms & Conditions Apply.

TYPE

Air Source Heat Pump

Cold Climate Air Source Heat Pump

MODELS

Indoor DUA36HICU230X5

Outdoor DMA36HOS18230S5

CAPACITY RANGE¹

Output (Btu/h)	Min.	Rated	Max.
Cooling	9100	36000	36400
Heating	11400	38000	44000

HEATING PERFORMANCE²

Output (Btu/h)	Min.	Rated	Max.
47°F (8.3°C)	11400	38000	44000
17°F (-8.3°C)	6000	23000	26000
5°F (-15°C)	3600	22000	22300
-13°F (-25°C)			

OUTDOOR TEMPERATURE OPERATING RANGE

Cooling	-15 ~ 50 °C	5 ~ 122 °F
Heating ³	-25 ~ 24 °C	-13 ~ 75 °F

LINE SET & REFRIGERANT

Liquid (in.)	3/8"	Gas (in.)	5/8"
Connection Type	Flared		
Pre-Charge Length (ft)	25		
Max. Length (ft)	213.2		
Max. Height Difference (ft)	98.4		
Refrigerant Type	R410A		
Pre-Charge (oz)	112.88		
Additional Charge per Foot (oz)	0.32		
Oil Type	VG74	Oil Volume (ml)	1000
Drain Pipe O.D. (mm)	25		



Images for reference only.

CERTIFIED

AHRI NO.
207742506



EFFICIENCY RATINGS

SEER2	19.2			
EER2	9.4			
HSPF2 (4)	8.8			
HSPF2 (5)	7			
COP ²	47°F (8.3°C)	17°F (-8.3°C)	5°F (-15°C)	-13°F (-25°C)
	3.18	2.45	2	

ELECTRICAL

Power Supply	(V/Ph/Hz)	208-230/1/60		
Voltage Range	(V)	187-253		
MCA (A)	30	Max Fuse (ODU) (A)	45	
Power Input (W)	Min.	Rated	Max.	
	Cooling	477	3830	4000
Heating	666	3500	3700	
Current (A)	Min.	Rated	Max.	
	Cooling	3.33	17.39	17.39
Heating	3.72	15.55	16.93	

1. Cooling Capacity Conditions: Indoor Temperature @ 80°F (26.7°C) DB; 67°F (19.4°C) WB with Outdoor Temperature @ 95°F (35°C) DB; 75°F (23.9°C) WB. Heating Capacity Conditions: Indoor Temperature @ 70°F (21.1°C) DB; 60°F (15.6°C) WB with Outdoor Temperature @ 47°F (8.3°C) DB; 43°F (6.1°C) WB. Line Set @ 25ft (7.5m); Height Difference @ 0ft (0m). 2. COP for all temperatures is @ rated output except when rated output is not given. In that case, COP is @ max. output. 3. System continues to operate below rated outdoor temperature operating range, subject to varying conditions. System has no low temperature cutout. Capacity is not tested outside of the rated temperature range. | Master Group is not responsible for the accuracy and validity of any changes made to this document without the written authorization of Master Group. Specifications subject to change without notice.

DIMENSIONS & WEIGHTS		
Indoor	Net (WxDxH; in.)	32.68x32.68x9.65
	Gross (WxDxH; in.)	35.83x35.83x11.42
	Net Weight lbs kg	59.97 27.2
	Gross Weight lbs kg	69 31.3
Outdoor	Net (WxDxH; in.)	37.24x16.14x31.89
	Gross (WxDxH; in.)	42.91x19.69x34.84
	Net Weight lbs kg	155.42 70.5
	Gross Weight lbs kg	166.23 75.4

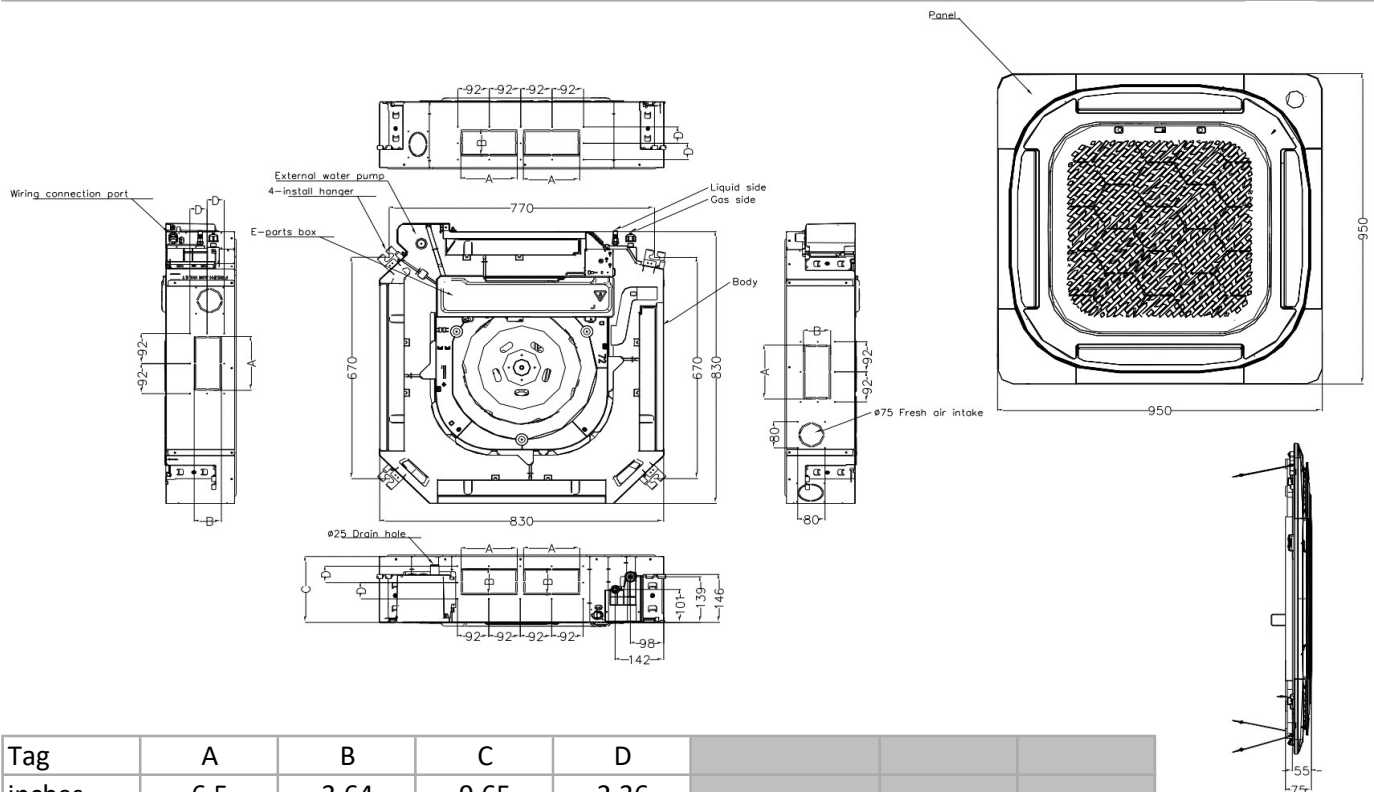
KEY FEATURES	
Rotary Inverter Compressor	<input checked="" type="checkbox"/>
Twin Rotary Inverter Compressor	<input type="checkbox"/>
Base Pan Heater	<input checked="" type="checkbox"/>
Crankcase Heater	<input checked="" type="checkbox"/>

INCLUDED ACCESSORIES	
RG10A(D2S)/BGEFU1 - Remote Controller	

FAN				
Indoor	Turbo	High	Med.	Low
CFM	1041	947	852	752
dB(A)		52.5	50	46.5
Indoor ESP Range inWG				
Indoor Moisture Removal (l/h)				4.52
Outdoor Max. CFM				3000
Outdoor Max. dB(A)				63.5

OPTIONAL ACCESSORIES⁴	
CASSETTEGRILL2448A - Required	<input type="checkbox"/>
WF-60A1-F - Smart Port	<input type="checkbox"/>
KJR-120L(R1)/EFU1 - Wired Controller	<input type="checkbox"/>
KJR-120N(X6)/BGEF - Wired Controller	<input type="checkbox"/>
KJR-120N(X6W)/BGEF - Wired Controller	<input type="checkbox"/>
24VINTERFACEKITUNIVERSAL	<input type="checkbox"/>
	<input type="checkbox"/>
	<input type="checkbox"/>
	<input type="checkbox"/>
	<input type="checkbox"/>

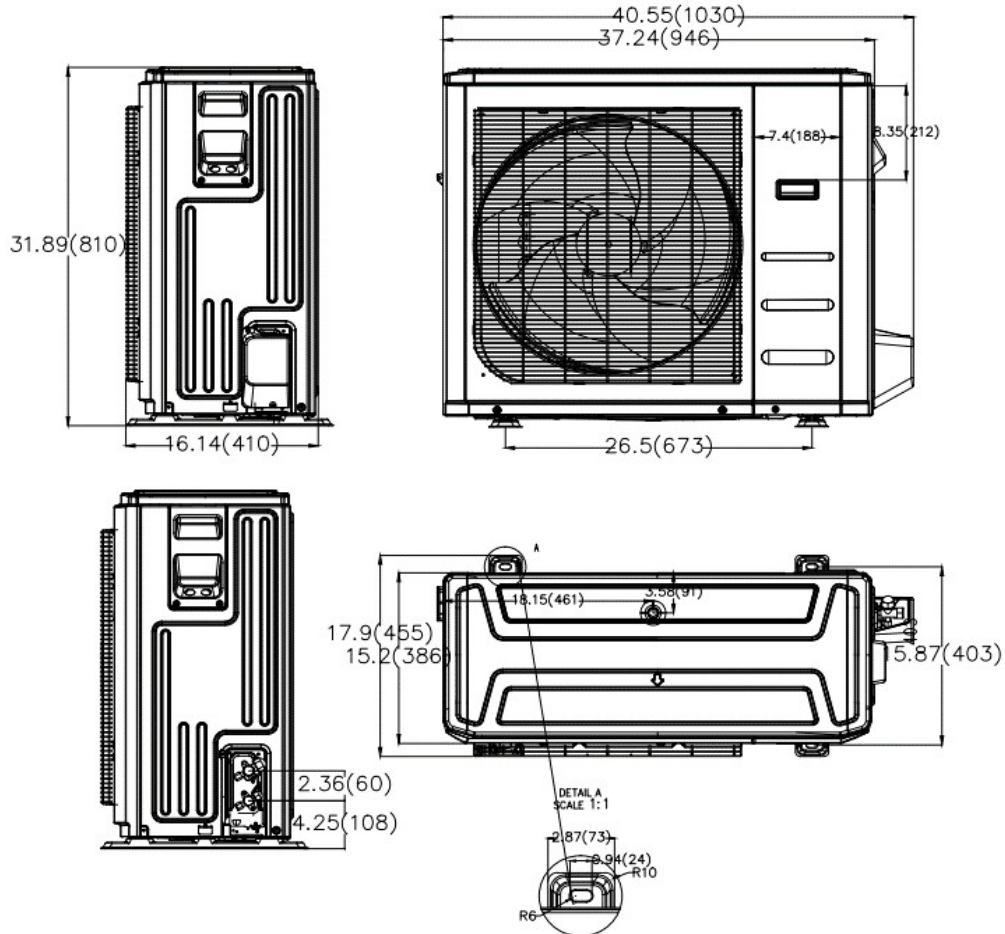
INDOOR UNIT DRAWING



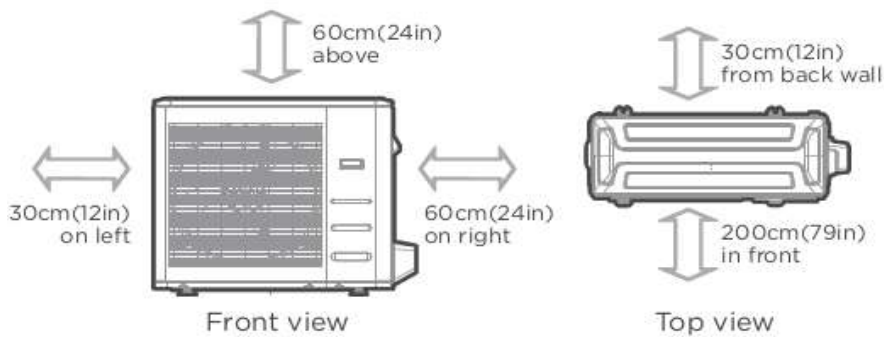
Tag	A	B	C	D
inches	6.5	3.64	9.65	2.36
mm	165	100	245	60

Drawing dimensions are nominal. Specifications subject to change without notice. 4. Connection of these accessories may require secondary items not listed; refer to full product literature.

OUTDOOR UNIT DRAWING



OUTDOOR UNIT CLEARANCES



Note: Outdoor units must be elevated 12-24in. (30.5-61cm) above the surface below in heating applications to allow for snow clearance and defrost runoff. Follow local best-practices and guidelines.

Diagrams for reference only.

NOTES