

SUBMITTAL - 36,000BTU MULTI-POSITION AHU

Job Name: _____

Location: _____

Engineer: _____

Submitted By: _____

Submitted To: _____

Submitted For: _____

Reference **Approval**

Date: _____

Unit Tag: _____

Drawing No.: _____

Construction

WARRANTY

Standard 10 Years Parts & Compressor

Terms & Conditions Apply.

TYPE

Air Source Heat Pump

Cold Climate Air Source Heat Pump

MODELS

Indoor	FMA36HIAHUU230X7
Outdoor	DMA36HOS20230E7

CAPACITY RANGE¹

Output (Btu/h)	Min.	Rated	Max.
Cooling	13000	36000	47400
Heating	11000	40000	49000

HEATING PERFORMANCE²

Output (Btu/h)	Min.	Rated	Max.
47°F (8.3°C)	11000	40000	49000
17°F (-8.3°C)	15000	30400	47000
5°F (-15°C)	2500	34400	36876
-22°F (-30°C)	12300	21500	21500

OUTDOOR TEMPERATURE OPERATING RANGE

Cooling	-15 ~ 50 °C	5 ~ 122 °F
Heating ³	-30 ~ 24 °C	-22 ~ 75 °F

LINE SET & REFRIGERANT

Liquid (in.)	3/8"	Gas (in.)	3/4"
Connection Type	Flared		
Pre-Charge Length (ft)	25		
Maximum Length (ft)	213.25		
Maximum Height Difference (ft)	98.42		
Refrigerant Type	R410A		
Pre-Charge (oz)	165.7878		
Additional Charge per Foot (oz)	0.69		
Oil Type	VG74	Oil Volume (ml)	1460±15
Drain Connection (inches)	3/4"		



Images for reference only.

CERTIFIED

AHRI NO.	
207706561	

EFFICIENCY RATINGS

SEER2	16			
EER2	10			
HSPF2 (4)	9.5			
HSPF2 (5)	7.8			
COP ²	47°F (8.3°C)	17°F (-8.3°C)	5°F (-15°C)	-22°F (-30°C)
	3.4	2.46	1.97	1.26

ELECTRICAL

Power Supply	(V/Ph/Hz)	208-230/1/60		
Voltage Range	(V)	187-253		
MCA (A)	30	Max Fuse (ODU) (A)	50	
Power Input (W)	Min.	Rated	Max.	
	Cooling	462	3673	5700
Heating	593	3448	5700	
Current (A)	Min.	Rated	Max.	
	Cooling	3.53	15.97	25
Heating	4.34	15	25	

1. Cooling Capacity Conditions: Indoor Temperature @ 80°F (26.7°C) DB; 67°F (19.4°C) WB with Outdoor Temperature @ 95°F (35°C) DB; 75°F (23.9°C) WB. Heating Capacity Conditions: Indoor Temperature @ 70°F (21.1°C) DB; 60°F (15.6°C) WB with Outdoor Temperature @ 47°F (8.3°C) DB; 43°F (6.1°C) WB. Line Set @ 25ft (7.5m); Height Difference @ 0ft (0m). 2. COP for all temperatures is @ rated output except when rated output is not given. In that case, COP is @ max. output. 3. System continues to operate below rated outdoor temperature operating range, subject to varying conditions. System has no low temperature cutout. Capacity is not tested outside of the rated temperature range. | Master Group is not responsible for the accuracy and validity of any changes made to this document without the written authorization of Master Group. Specifications subject to change without notice.

DIMENSIONS & WEIGHTS

Indoor	Net (WxDxH; in.)	21.02x21.02x49.02	
	Gross (WxDxH; in.)	24.41x26.57x52.56	
	Net Weight lbs kg	129.19	58.6
	Gross Weight lbs kg	155.64	70.6
Outdoor	Net (WxDxH; in.)	37.48x16.34x52.48	
	Gross (WxDxH; in.)	43.11x19.49x58.27	
	Net Weight lbs kg	227.07	103
	Gross Weight lbs kg	255.73	116

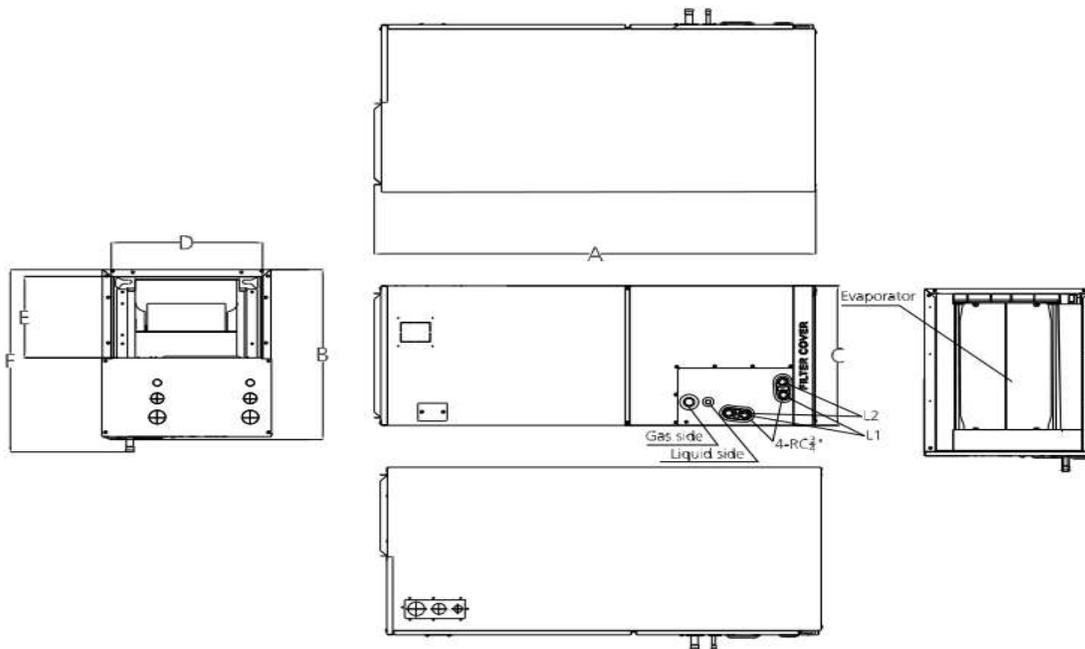
KEY FEATURES

Rotary Inverter Compressor	<input checked="" type="checkbox"/>
Twin Rotary Inverter Compressor	<input type="checkbox"/>
Base Pan Heater	<input checked="" type="checkbox"/>
Crankcase Heater	<input checked="" type="checkbox"/>

INCLUDED ACCESSORIES

RG10A(D2S)/BGEFU1 - Remote Controller
KJR-120N(X6W)/BGEF V1.2 - Wired Controller
Adaptor for welding(3/8")
Adaptor for welding(3/4")

INDOOR UNIT DRAWING

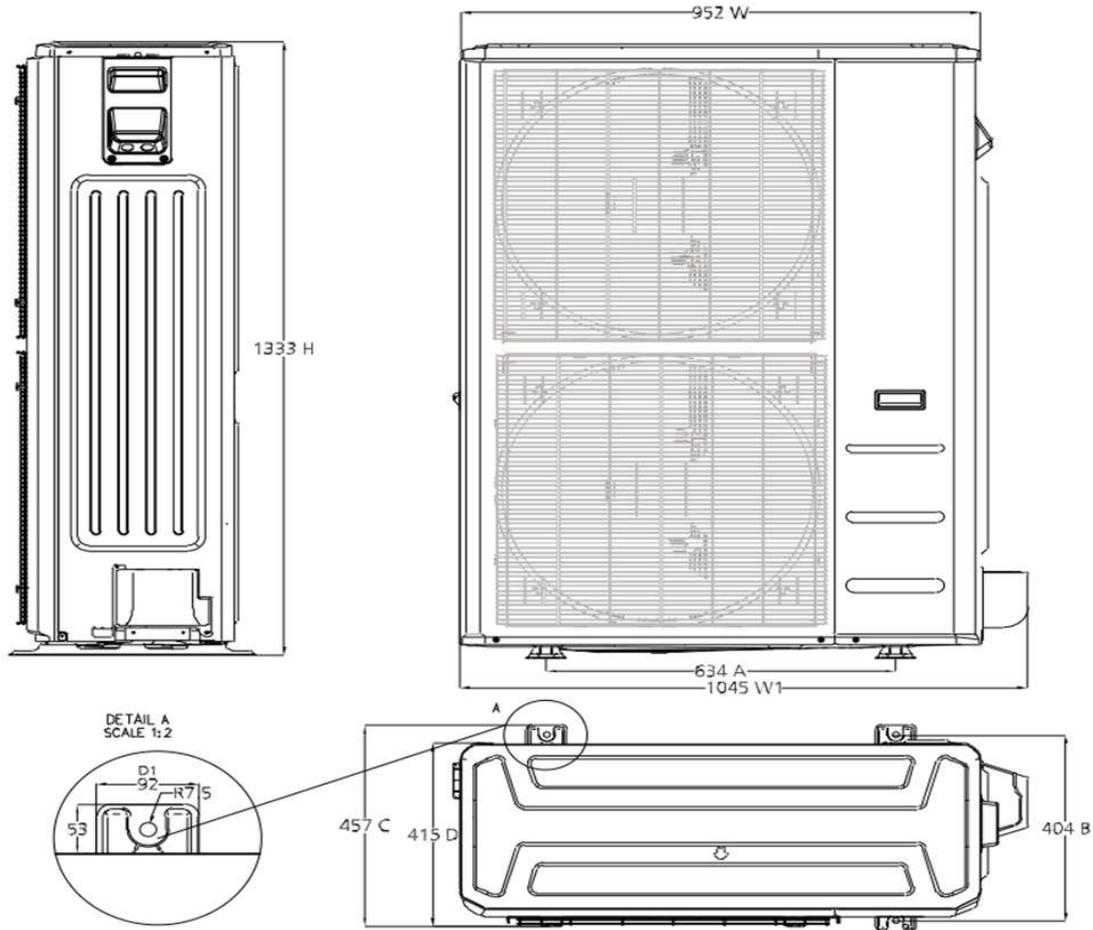


Dimensions D and E are air outlet dimensions.

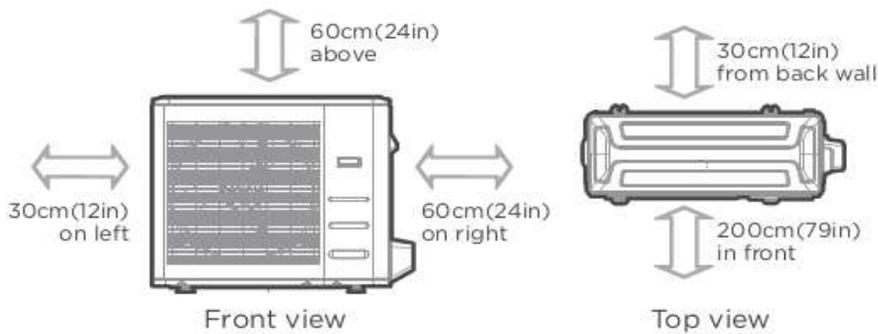
Tag	A	B	C	D	E	F		L1	L2
inches	49	21	21	19-5/16	10-1/4	23		Main	Overflow
mm	1245	534	534	490	260	585		Drain	Drain

Drawing dimensions are nominal. Specifications subject to change without notice. 4. Connection of these accessories may require secondary items not listed; refer to full product literature.

OUTDOOR UNIT DRAWING



OUTDOOR UNIT CLEARANCES



Note: Outdoor units must be elevated 12-24in. (30.5-61cm) above the surface below in heating applications to allow for snow clearance and defrost runoff. Follow local best-practices and guidelines.

Diagrams for reference only.

NOTES