

## SUBMITTAL - 24,000BTU WALL-MOUNT - M28

**Job Name:** \_\_\_\_\_

**Location:** \_\_\_\_\_

**Engineer:** \_\_\_\_\_

**Submitted By:** \_\_\_\_\_

**Submitted To:** \_\_\_\_\_

**Submitted For:** \_\_\_\_\_

**Reference**  **Approval**

**Date:** \_\_\_\_\_

**Unit Tag:** \_\_\_\_\_

**Drawing No.:** \_\_\_\_\_

**Construction**

### WARRANTY

Standard 10 Years Parts & Compressor  
Terms & Conditions Apply.

### TYPE

Air Source Heat Pump

Cold Climate Air Source Heat Pump

### MODELS

Indoor	DMA24HIW25230E8
Outdoor	DMA24HOS28230E8

### CAPACITY RANGE<sup>1</sup>

Output (Btu/h)	Min.	Rated	Max.
Cooling	8236	24000	26934
Heating	8673	29000	30995

### HEATING PERFORMANCE<sup>2</sup>

Output (Btu/h)	Min.	Rated	Max.
47°F (8.3°C)	8673	29000	30995
17°F (-8.3°C)	5125	21200	24485
5°F (-15°C)	3589	25000	25423
-22°F (-30°C)		11700	11700

### OUTDOOR TEMPERATURE OPERATING RANGE

Cooling	-30~50 °C	-22~122 °F
Heating <sup>3</sup>	-30~24 °C	-22~75 °F

### LINE SET & REFRIGERANT

Liquid (in.)	3/8"	Gas (in.)	5/8"
Connection Type	Flared		
Pre-Charge Length (ft)	25		
Max. Length (ft)	164		
Max. Height Difference (ft)	82		
Refrigerant Type	R410A		
Pre-Charge (oz)	91.71		
Additional Charge per Foot (oz)	0.32		
Oil Type	VG74	Oil Volume (ml)	620
Drain Pipe O.D. (mm)	19		



Images for reference only.

### CERTIFIED

AHRI NO.	 
207742498	

### EFFICIENCY RATINGS

SEER2	21.5			
EER2	13			
HSPF2 (4)	11.4			
HSPF2 (5)	9.2			
COP <sup>2</sup>	47°F (8.3°C)	17°F (-8.3°C)	5°F (-15°C)	-22°F (-30°C)
	3.4	2.88	2.21	1.19

### ELECTRICAL

Power Supply	(V/Ph/Hz)	208-230/1/60		
Voltage Range	(V)	187-253		
MCA (A)	25	Max Fuse (ODU) (A)	35	
Power Input (W)	Min.	Rated	Max.	
	Cooling	650	1845	2400
Heating	710	2500	2700	
Current (A)	Min.	Rated	Max.	
	Cooling	2.12	8.1	11
Heating	4.32	10.9	13	

1. Cooling Capacity Conditions: Indoor Temperature @ 80°F (26.7°C) DB; 67°F (19.4°C) WB with Outdoor Temperature @ 95°F (35°C) DB; 75°F (23.9°C) WB. Heating Capacity Conditions: Indoor Temperature @ 70°F (21.1°C) DB; 60°F (15.6°C) WB with Outdoor Temperature @ 47°F (8.3°C) DB; 43°F (6.1°C) WB. Line Set @ 25ft (7.5m); Height Difference @ 0ft (0m). 2. COP for all temperatures is @ rated output except when rated output is not given. In that case, COP is @ max. output. 3. System continues to operate below rated outdoor temperature operating range, subject to varying conditions. System has no low temperature cutout. Capacity is not tested outside of the rated temperature range. | Master Group is not responsible for the accuracy and validity of any changes made to this document without the written authorization of Master Group. Specifications subject to change without notice.

DIMENSIONS & WEIGHTS			
Indoor	Net (WxDxH; in.)	47.09x10.98x14.57	
	Gross (WxDxH; in.)	50.39x14.17x17.91	
	Net Weight lbs   kg	43.65	19.8
	Gross Weight lbs   kg	54.89	24.9
Outdoor	Net (WxDxH; in.)	37.24x16.14x31.89	
	Gross (WxDxH; in.)	42.91x19.69x34.84	
	Net Weight lbs   kg	134.48	61
	Gross Weight lbs   kg	144.4	65.5

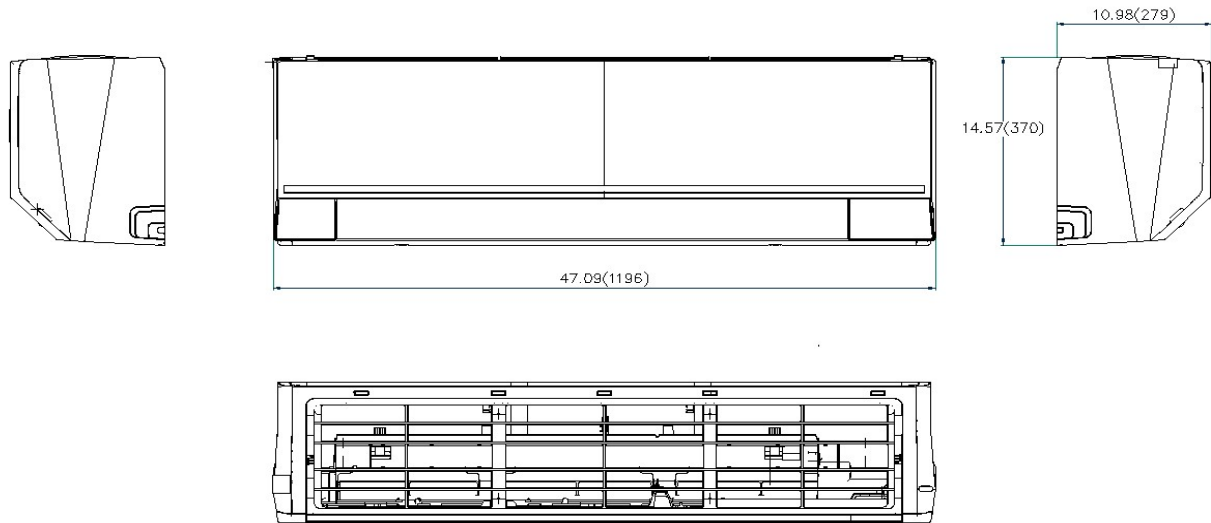
KEY FEATURES	
Rotary Inverter Compressor	<input type="checkbox"/>
Twin Rotary Inverter Compressor	<input checked="" type="checkbox"/>
Base Pan Heater	<input checked="" type="checkbox"/>
Crankcase Heater	<input checked="" type="checkbox"/>

INCLUDED ACCESSORIES	
RG10L2(D2HS)/BGEFU1 - Remote Controller	

### INDOOR UNIT DRAWING

FAN					
Indoor	Turbo	High	Med.	Low	
CFM	718	611	414	318	
dB(A)		46	39	34	
Indoor ESP Range inWG					
Indoor Moisture Removal (l/h)				2.6	
Outdoor Max. CFM				2235	
Outdoor Max. dB(A)				62	

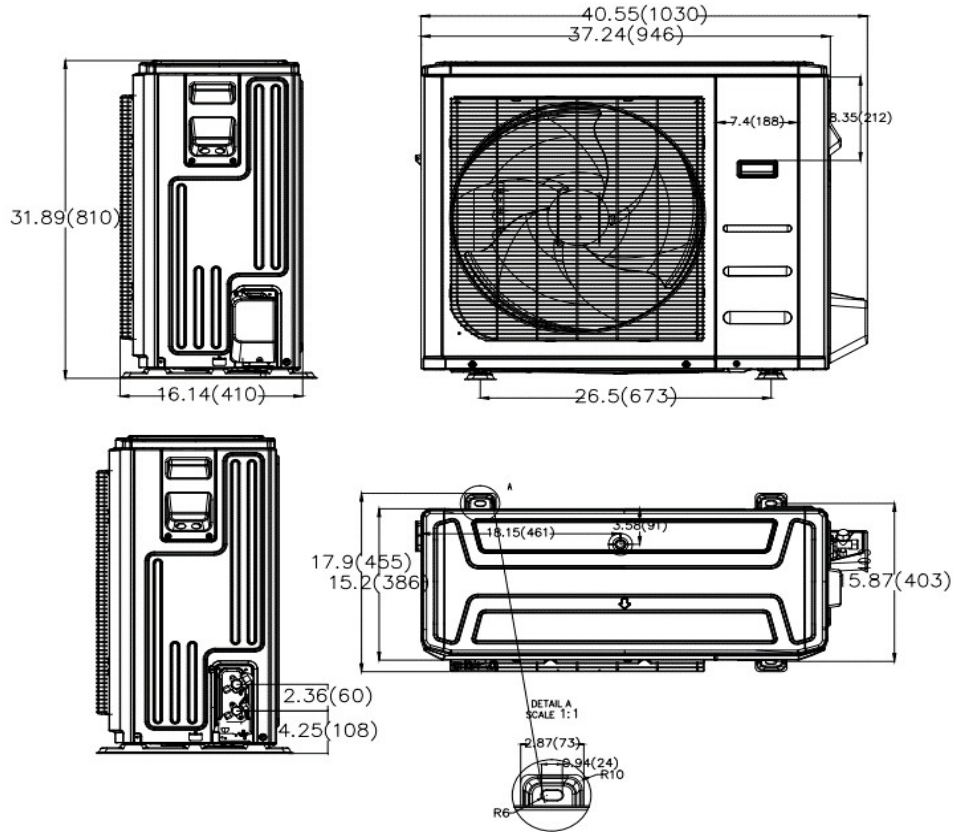
OPTIONAL ACCESSORIES <sup>4</sup>	
17310900003167 - Wi-Fi Dongle	<input type="checkbox"/>
KJR-120L(R1)/EFU1 - Wired Controller	<input type="checkbox"/>
KJR-120N(X6)/BGEF - Wired Controller	<input type="checkbox"/>
KJR-120N1(X4)/BGEF - Wired Controller	<input type="checkbox"/>
24VINTERFACEKITUNIVERSAL	<input type="checkbox"/>
	<input type="checkbox"/>
	<input type="checkbox"/>
	<input type="checkbox"/>
	<input type="checkbox"/>
	<input type="checkbox"/>



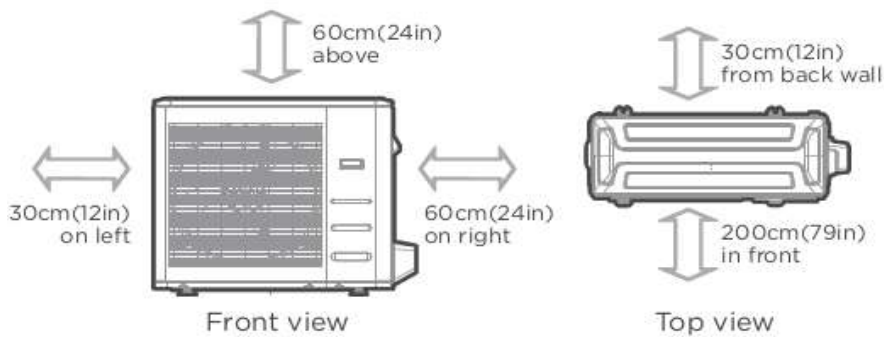
Tag									
inches									
mm									

Drawing dimensions are nominal. Specifications subject to change without notice. 4. Connection of these accessories may require secondary items not listed; refer to full product literature.

**OUTDOOR UNIT DRAWING**



**OUTDOOR UNIT CLEARANCES**



Note: Outdoor units must be elevated 12-24in. (30.5-61cm) above the surface below in heating applications to allow for snow clearance and defrost runoff. Follow local best-practices and guidelines.

Diagrams for reference only.

**NOTES**