

## SUBMITTAL - 24,000BTU WALL-MOUNT - M25

**Job Name:** \_\_\_\_\_

**Location:** \_\_\_\_\_

**Engineer:** \_\_\_\_\_

**Submitted By:** \_\_\_\_\_

**Submitted To:** \_\_\_\_\_

**Submitted For:** \_\_\_\_\_

**Reference**  **Approval**

**Date:** \_\_\_\_\_

**Unit Tag:** \_\_\_\_\_

**Drawing No.:** \_\_\_\_\_

**Construction**

### WARRANTY

Standard 10 Years Parts & Compressor  
Terms & Conditions Apply.

### TYPE

Air Source Heat Pump

Cold Climate Air Source Heat Pump

### MODELS

Indoor	DMA24HIW25230E8
Outdoor	DMA24HOS25230E8

### CAPACITY RANGE<sup>1</sup>

Output (Btu/h)	Min.	Rated	Max.
Cooling	7800	24000	26800
Heating	7885	25000	27000

### HEATING PERFORMANCE<sup>2</sup>

Output (Btu/h)	Min.	Rated	Max.
47°F (8.3°C)	7885	25000	27000
17°F (-8.3°C)	5180	16200	20000
5°F (-15°C)	3700	15500	17500
-5°F (-20.5°C)		12200	12200

### OUTDOOR TEMPERATURE OPERATING RANGE

Cooling	-25 ~ 50 °C	-13 ~ 122 °F
Heating <sup>3</sup>	-25 ~ 24 °C	-13 ~ 75 °F

### LINE SET & REFRIGERANT

Liquid (in.)	3/8"	Gas (in.)	5/8"
Connection Type	Flared		
Pre-Charge Length (ft)	25		
Max. Length (ft)	164		
Max. Height Difference (ft)	82		
Refrigerant Type	R410A		
Pre-Charge (oz)	82.89		
Additional Charge per Foot (oz)	0.32		
Oil Type	VG74	Oil Volume (ml)	620
Drain Pipe O.D. (mm)	19		



Images for reference only.

### CERTIFIED

AHRI NO.	 
207742493	

### EFFICIENCY RATINGS

SEER2	22			
EER2	14			
HSPF2 (4)	10			
HSPF2 (5)	7.2			
COP <sup>2</sup>	47°F (8.3°C)	17°F (-8.3°C)	5°F (-15°C)	-5°F (-20.5°C)
	3.76	2.4	1.8	1.53

### ELECTRICAL

Power Supply	(V/Ph/Hz)	208-230/1/60		
Voltage Range	(V)	187-253		
MCA (A)	22	Max Fuse (ODU) (A)	30	
Power Input (W)	Min.	Rated	Max.	
	Cooling	370	1714	2590
Heating	560	1953	3080	
Current (A)	Min.	Rated	Max.	
	Cooling	2.4	8	11.3
Heating	3.6	8.7	13.5	

1. Cooling Capacity Conditions: Indoor Temperature @ 80°F (26.7°C) DB; 67°F (19.4°C) WB with Outdoor Temperature @ 95°F (35°C) DB; 75°F (23.9°C) WB. Heating Capacity Conditions: Indoor Temperature @ 70°F (21.1°C) DB; 60°F (15.6°C) WB with Outdoor Temperature @ 47°F (8.3°C) DB; 43°F (6.1°C) WB. Line Set @ 25ft (7.5m); Height Difference @ 0ft (0m). 2. COP for all temperatures is @ rated output except when rated output is not given. In that case, COP is @ max. output. 3. System continues to operate below rated outdoor temperature operating range, subject to varying conditions. System has no low temperature cutout. Capacity is not tested outside of the rated temperature range. | Master Group is not responsible for the accuracy and validity of any changes made to this document without the written authorization of Master Group. Specifications subject to change without notice.

### DIMENSIONS & WEIGHTS

Indoor	Net (WxDxH; in.)	47.09x10.98x14.57	
	Gross (WxDxH; in.)	50.39x14.17x17.91	
	Net Weight lbs   kg	43.65	19.8
	Gross Weight lbs   kg	54.89	24.9
Outdoor	Net (WxDxH; in.)	37.24x16.14x31.89	
	Gross (WxDxH; in.)	42.91x19.69x34.84	
	Net Weight lbs   kg	124.78	56.6
	Gross Weight lbs   kg	134.92	61.2

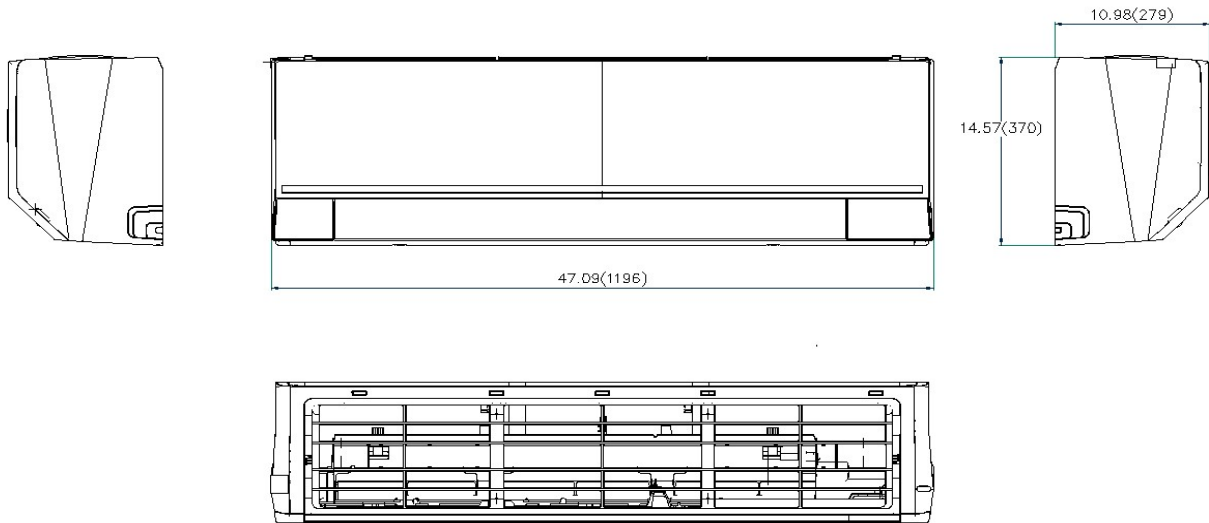
### KEY FEATURES

Rotary Inverter Compressor	<input type="checkbox"/>
Twin Rotary Inverter Compressor	<input checked="" type="checkbox"/>
Base Pan Heater	<input checked="" type="checkbox"/>
Crankcase Heater	<input checked="" type="checkbox"/>

### INCLUDED ACCESSORIES

RG10L2(D2HS)/BGEFU1 - Remote Controller	

### INDOOR UNIT DRAWING



### FAN

Indoor	Turbo	High	Med.	Low
CFM	718	611	414	318
dB(A)		46	39	34
Indoor ESP Range inWG				
Indoor Moisture Removal (l/h)				1.94
Outdoor Max. CFM				2235
Outdoor Max. dB(A)				60

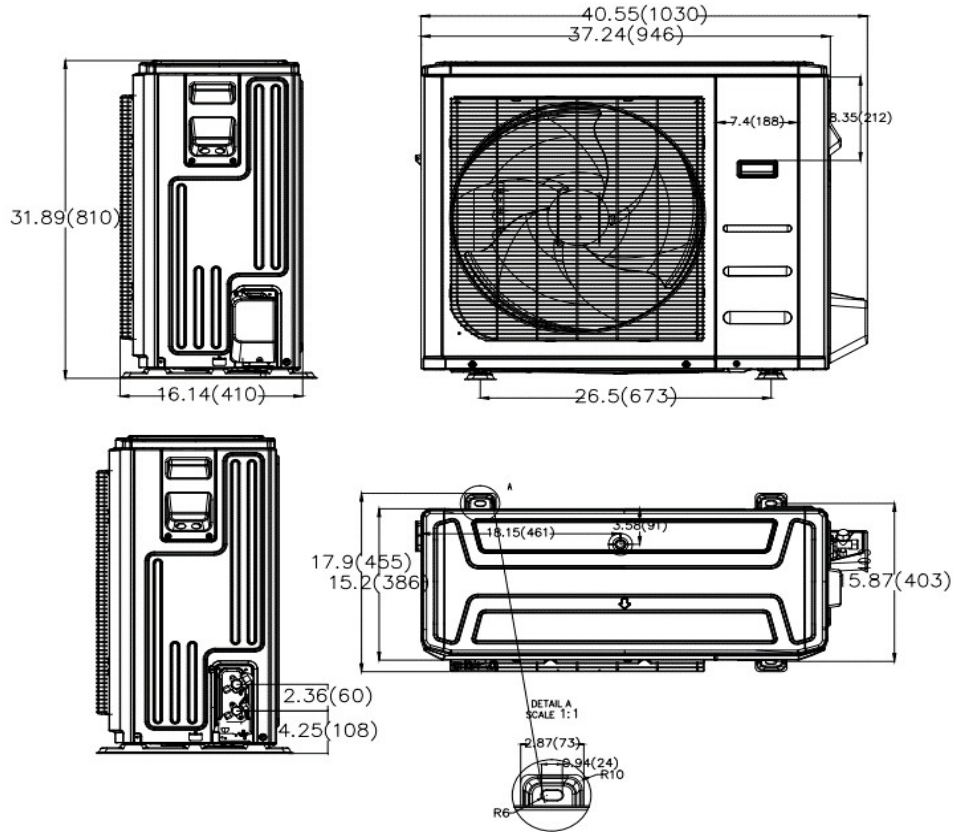
### OPTIONAL ACCESSORIES<sup>4</sup>

17310900003167 - Wi-Fi Dongle	<input type="checkbox"/>
KJR-120L(R1)/EFU1 - Wired Controller	<input type="checkbox"/>
KJR-120N(X6)/BGEF - Wired Controller	<input type="checkbox"/>
KJR-120N1(X4)/BGEF - Wired Controller	<input type="checkbox"/>
24VINTERFACEKITUNIVERSAL	<input type="checkbox"/>
	<input type="checkbox"/>
	<input type="checkbox"/>
	<input type="checkbox"/>
	<input type="checkbox"/>
	<input type="checkbox"/>

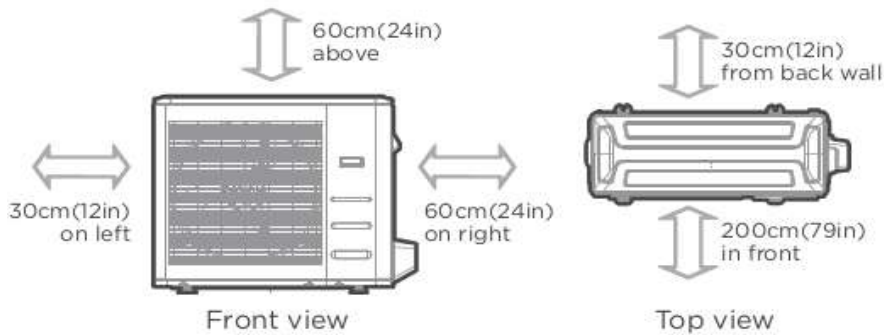
Tag									
inches									
mm									

Drawing dimensions are nominal. Specifications subject to change without notice. 4. Connection of these accessories may require secondary items not listed; refer to full product literature.

**OUTDOOR UNIT DRAWING**



**OUTDOOR UNIT CLEARANCES**



Note: Outdoor units must be elevated 12-24in. (30.5-61cm) above the surface below in heating applications to allow for snow clearance and defrost runoff. Follow local best-practices and guidelines.

Diagrams for reference only.

**NOTES**