

SUBMITTAL - 24,000BTU CEILING CASSETTE - M28

Job Name: _____

Location: _____

Engineer: _____

Submitted By: _____

Submitted To: _____

Submitted For: _____

Reference **Approval**

Date: _____

Unit Tag: _____

Drawing No.: _____

WARRANTY

Standard 10 Years Parts & Compressor

Terms & Conditions Apply.

TYPE

Air Source Heat Pump

Cold Climate Air Source Heat Pump

MODELS

Indoor	DUA24HICU230X5
Outdoor	DMA24HOS28230E8

CAPACITY RANGE¹

Output (Btu/h)	Min.	Rated	Max.
Cooling	6200	24000	25000
Heating	7500	25000	27000

HEATING PERFORMANCE²

Output (Btu/h)	Min.	Rated	Max.
47°F (8.3°C)	7500	25000	27000
17°F (-8.3°C)	5800	21000	24000
5°F (-15°C)	5200	25800	26000
-22°F (-30°C)	2100		20000

OUTDOOR TEMPERATURE OPERATING RANGE

Cooling	-30 ~ 50 °C	-22 ~ 122 °F
Heating ³	-30 ~ 24 °C	-22 ~ 75 °F

LINE SET & REFRIGERANT

Liquid (in.)	3/8"	Gas (in.)	5/8"
Connection Type	Flared		
Pre-Charge Length (ft)	25		
Max. Length (ft)	164		
Max. Height Difference (ft)	82		
Refrigerant Type	R410A		
Pre-Charge (oz)	91.71		
Additional Charge per Foot (oz)	0.32		
Oil Type	VG74	Oil Volume (ml)	620
Drain Pipe O.D. (mm)	25		



Images for reference only.

CERTIFIED

AHRI NO.	
207742511	

EFFICIENCY RATINGS

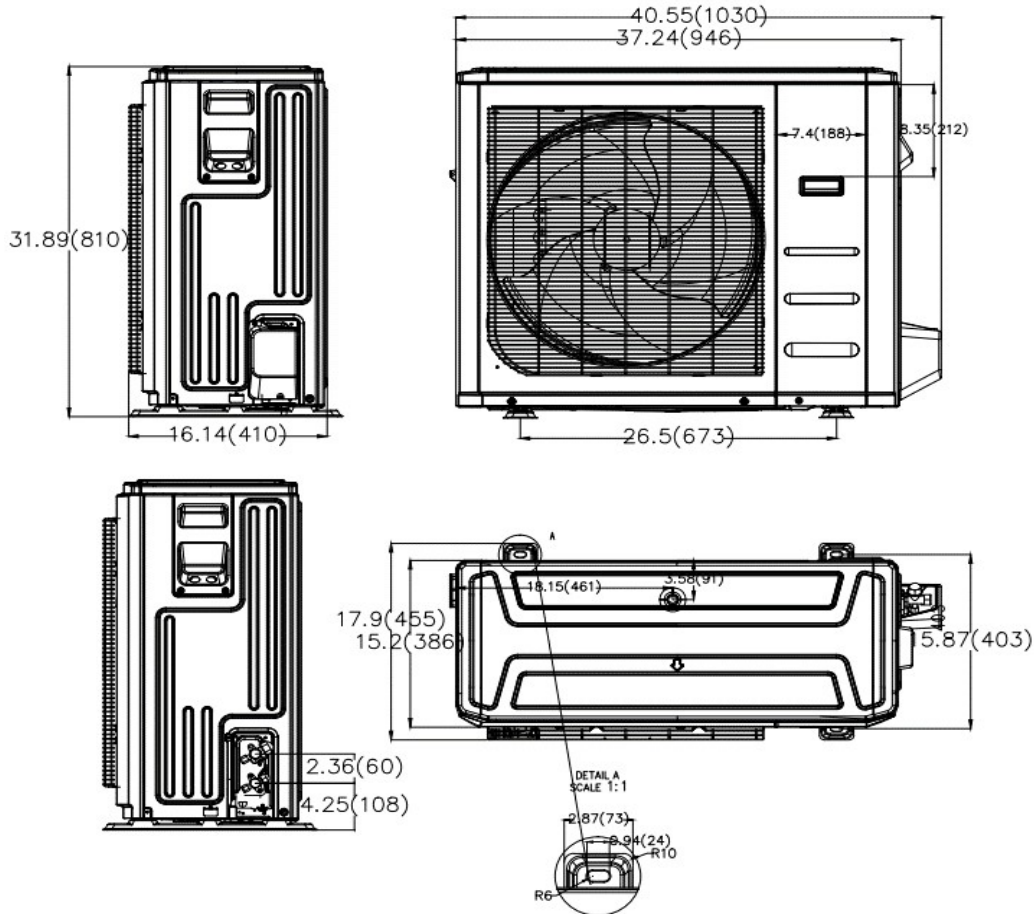
SEER2	20.5			
EER2	11			
HSPF2 (4)	11.5			
HSPF2 (5)	9.2			
COP ²	47°F (8.3°C)	17°F (-8.3°C)	5°F (-15°C)	-22°F (-30°C)
	3.51	2.64	2	1.5

ELECTRICAL

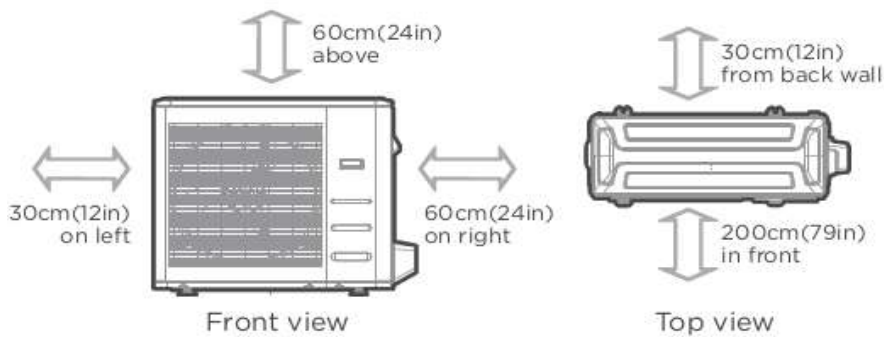
Power Supply	(V/Ph/Hz)	208-230/1/60		
Voltage Range	(V)	187-253		
MCA (A)	25	Max Fuse (ODU) (A)	35	
Power Input (W)	Min.	Rated	Max.	
	Cooling	330	2182	2560
Heating	685	2093	2814	
Current (A)	Min.	Rated	Max.	
	Cooling	2.6	9.9	11.5
Heating	4.4	9.8	12.8	

1. Cooling Capacity Conditions: Indoor Temperature @ 80°F (26.7°C) DB; 67°F (19.4°C) WB with Outdoor Temperature @ 95°F (35°C) DB; 75°F (23.9°C) WB. Heating Capacity Conditions: Indoor Temperature @ 70°F (21.1°C) DB; 60°F (15.6°C) WB with Outdoor Temperature @ 47°F (8.3°C) DB; 43°F (6.1°C) WB. Line Set @ 25ft (7.5m); Height Difference @ 0ft (0m). 2. COP for all temperatures is @ rated output except when rated output is not given. In that case, COP is @ max. output. 3. System continues to operate below rated outdoor temperature operating range, subject to varying conditions. System has no low temperature cutout. Capacity is not tested outside of the rated temperature range. | Master Group is not responsible for the accuracy and validity of any changes made to this document without the written authorization of Master Group. Specifications subject to change without notice.

OUTDOOR UNIT DRAWING



OUTDOOR UNIT CLEARANCES



Note: Outdoor units must be elevated 12-24in. (30.5-61cm) above the surface below in heating applications to allow for snow clearance and defrost runoff. Follow local best-practices and guidelines.

Diagrams for reference only.

NOTES