

SUBMITTAL - 24,000BTU CEILING CASSETTE - M25

Job Name: _____

Location: _____

Engineer: _____

Submitted By: _____

Submitted To: _____

Submitted For: _____

Reference **Approval**

Date: _____

Unit Tag: _____

Drawing No.: _____

WARRANTY

Standard 10 Years Parts & Compressor

Terms & Conditions Apply.

TYPE

Air Source Heat Pump

Cold Climate Air Source Heat Pump

MODELS

Indoor DUA24HICU230X5

Outdoor DMA24HOS25230E8

CAPACITY RANGE¹

Output (Btu/h)	Min.	Rated	Max.
Cooling	6500	24000	26300
Heating	7500	25000	30000

HEATING PERFORMANCE²

Output (Btu/h)	Min.	Rated	Max.
47°F (8.3°C)	7500	25000	30000
17°F (-8.3°C)	4800	19000	20800
5°F (-15°C)	3500	18500	18900
-13°F (-25°C)		11000	11000

OUTDOOR TEMPERATURE OPERATING RANGE

Cooling	-25 ~ 50 °C	-13 ~ 122 °F
Heating ³	-25 ~ 24 °C	-13 ~ 75 °F

LINE SET & REFRIGERANT

Liquid (in.)	3/8"	Gas (in.)	5/8"
Connection Type	Flared		
Pre-Charge Length (ft)	25		
Max. Length (ft)	164		
Max. Height Difference (ft)	82		
Refrigerant Type	R410A		
Pre-Charge (oz)	82.89		
Additional Charge per Foot (oz)	0.32		
Oil Type	VG74	Oil Volume (ml)	620
Drain Pipe O.D. (mm)	25		



Images for reference only.

CERTIFIED

AHRI NO.

207742505



EFFICIENCY RATINGS

SEER2	21.5			
EER2	12.5			
HSPF2 (4)	9.7			
HSPF2 (5)	7.8			
COP ²	47°F (8.3°C)	17°F (-8.3°C)	5°F (-15°C)	-13°F (-25°C)
	3.32	2.6	2.2	1.55

ELECTRICAL

Power Supply	(V/Ph/Hz)	208-230/1/60		
Voltage Range	(V)	187-253		
MCA (A)	22	Max Fuse (ODU) (A)	30	
Power Input (W)	Min.	Rated	Max.	
	Cooling	320	1920	2600
Heating	630	2210	2900	
Current (A)	Min.	Rated	Max.	
	Cooling	2.3	8.78	11.4
Heating	4.3	10	13	

1. Cooling Capacity Conditions: Indoor Temperature @ 80°F (26.7°C) DB; 67°F (19.4°C) WB with Outdoor Temperature @ 95°F (35°C) DB; 75°F (23.9°C) WB. Heating Capacity Conditions: Indoor Temperature @ 70°F (21.1°C) DB; 60°F (15.6°C) WB with Outdoor Temperature @ 47°F (8.3°C) DB; 43°F (6.1°C) WB. Line Set @ 25ft (7.5m); Height Difference @ 0ft (0m). 2. COP for all temperatures is @ rated output except when rated output is not given. In that case, COP is @ max. output. 3. System continues to operate below rated outdoor temperature operating range, subject to varying conditions. System has no low temperature cutout. Capacity is not tested outside of the rated temperature range. | Master Group is not responsible for the accuracy and validity of any changes made to this document without the written authorization of Master Group. Specifications subject to change without notice.

DIMENSIONS & WEIGHTS

Indoor	Net (WxDxH; in.)	32.68x32.68x8.07	
	Gross (WxDxH; in.)	35.83x35.83x9.84	
	Net Weight lbs kg	47.18	21.4
	Gross Weight lbs kg	55.34	25.1
Outdoor	Net (WxDxH; in.)	37.24x16.14x31.89	
	Gross (WxDxH; in.)	42.91x19.69x34.84	
	Net Weight lbs kg	124.78	56.6
	Gross Weight lbs kg	134.92	61.2

KEY FEATURES

Rotary Inverter Compressor	<input type="checkbox"/>
Twin Rotary Inverter Compressor	<input checked="" type="checkbox"/>
Base Pan Heater	<input checked="" type="checkbox"/>
Crankcase Heater	<input checked="" type="checkbox"/>

INCLUDED ACCESSORIES

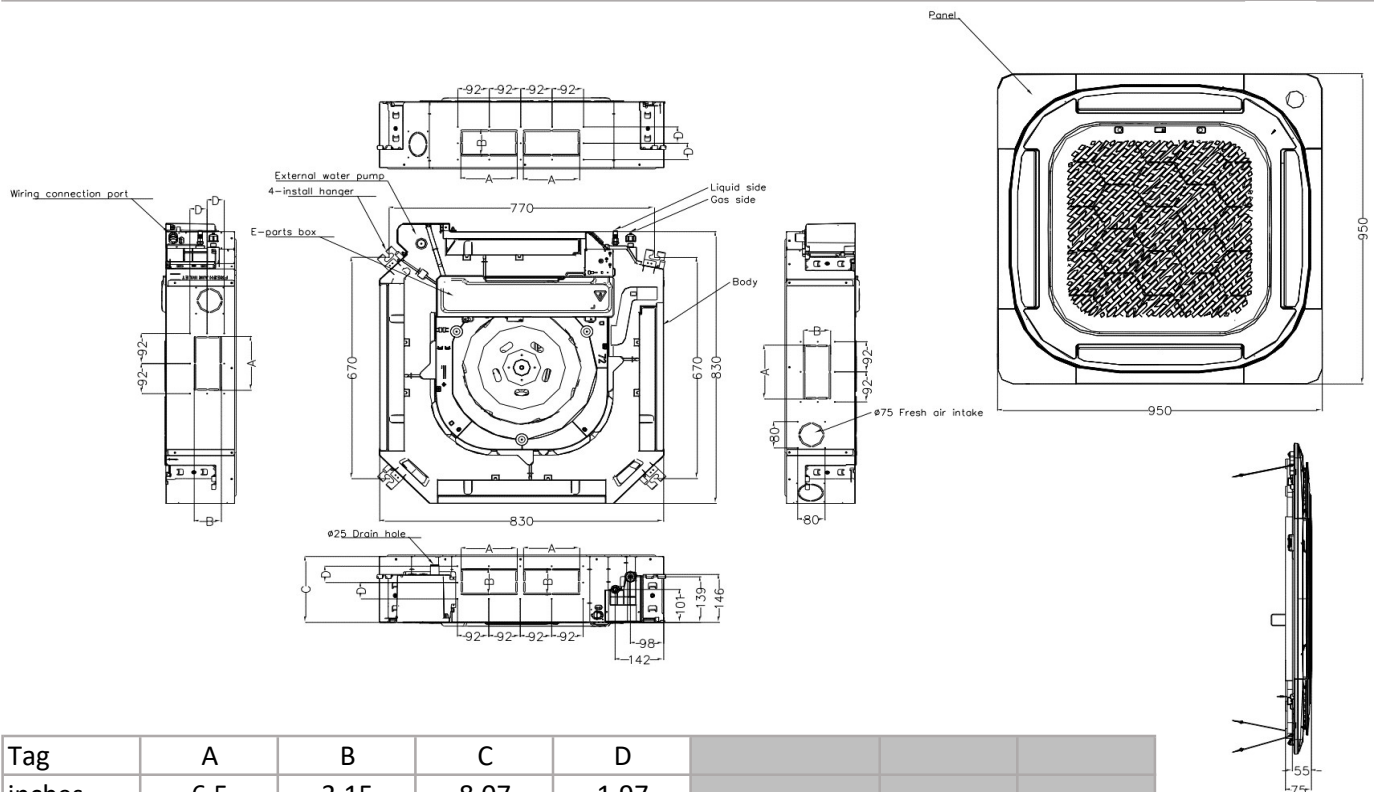
RG10A(D2S)/BGEFU1 - Remote Controller

FAN

Indoor	Turbo	High	Med.	Low
CFM	764	705	635	547
dB(A)		49	46	43
Indoor ESP Range inWG				
Indoor Moisture Removal (l/h)			2.45	
Outdoor Max. CFM			2235	
Outdoor Max. dB(A)			61	

OPTIONAL ACCESSORIES⁴

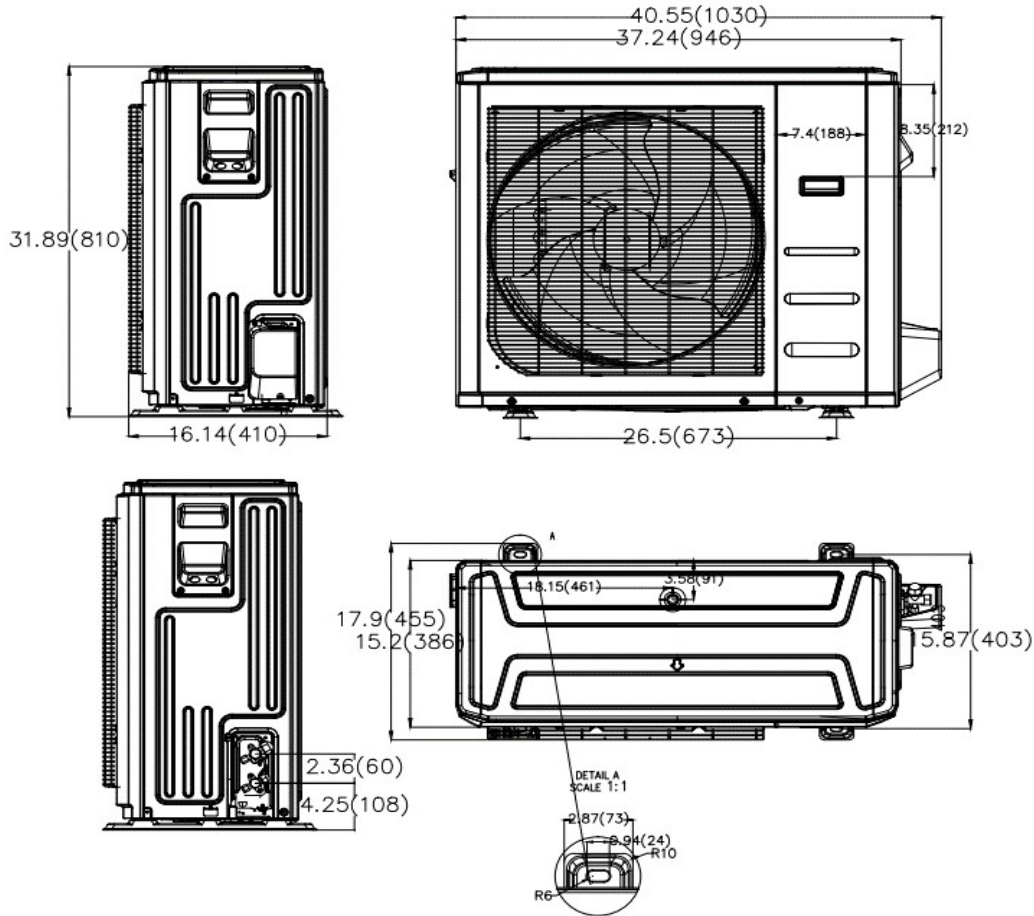
CASSETTEGRILL2448A - Required	<input type="checkbox"/>
WF-60A1-F - Smart Port	<input type="checkbox"/>
KJR-120L(R1)/EFU1 - Wired Controller	<input type="checkbox"/>
KJR-120N(X6)/BGEF - Wired Controller	<input type="checkbox"/>
KJR-120N(X6W)/BGEF - Wired Controller	<input type="checkbox"/>
24VINTERFACEKITUNIVERSAL	<input type="checkbox"/>
	<input type="checkbox"/>
	<input type="checkbox"/>
	<input type="checkbox"/>
	<input type="checkbox"/>
	<input type="checkbox"/>

INDOOR UNIT DRAWING


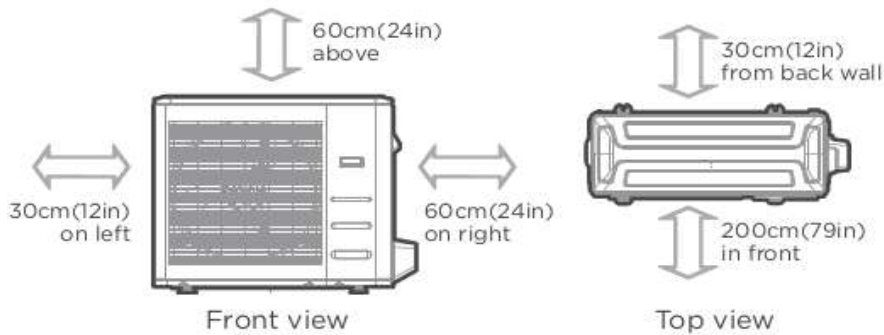
Tag	A	B	C	D
inches	6.5	3.15	8.07	1.97
mm	165	80	205	50

Drawing dimensions are nominal. Specifications subject to change without notice. **4.** Connection of these accessories may require secondary items not listed; refer to full product literature.

OUTDOOR UNIT DRAWING



OUTDOOR UNIT CLEARANCES



Note: Outdoor units must be elevated 12-24in. (30.5-61cm) above the surface below in heating applications to allow for snow clearance and defrost runoff. Follow local best-practices and guidelines.

Diagrams for reference only.

NOTES