

# SUBMITTAL - 24,000BTU CASED COIL - B CABINET

**Job Name:** \_\_\_\_\_

**Location:** \_\_\_\_\_

**Engineer:** \_\_\_\_\_

**Submitted By:** \_\_\_\_\_

**Submitted To:** \_\_\_\_\_

**Submitted For:** \_\_\_\_\_

**Reference**  **Approval**

**Date:** \_\_\_\_\_

**Unit Tag:** \_\_\_\_\_

**Drawing No.:** \_\_\_\_\_

**Construction**

**WARRANTY**

Standard 10 Years Parts & Compressor  
Terms & Conditions Apply.

**TYPE**

Air Source Heat Pump

Cold Climate Air Source Heat Pump

**MODELS**

Indoor	CUB24HAC20BWT7A
Outdoor	DMA24HOS20230E7

**CAPACITY RANGE<sup>1</sup>**

Output (Btu/h)	Min.	Rated	Max.
Cooling	7100	24000	28400
Heating	8500	25000	28000

**HEATING PERFORMANCE<sup>2</sup>**

Output (Btu/h)	Min.	Rated	Max.
47°F (8.3°C)	8500	25000	28000
17°F (-8.3°C)	5800	21000	23000
5°F (-15°C)	5000	20000	20000
-22°F (-30°C)	4500		16000

**OUTDOOR TEMPERATURE OPERATING RANGE**

Cooling	-15 ~ 50 °C	5 ~ 122 °F
Heating <sup>3</sup>	-30 ~ 24 °C	-22 ~ 75 °F

**LINE SET & REFRIGERANT**

Liquid (in.)	3/8"	Gas (in.)	3/4"
Connection Type	Flared		
Pre-Charge Length (ft)	25		
Max. Length (ft)	98.42		
Max. Height Difference (ft)	65.62		
Refrigerant Type	R410A		
Pre-Charge (oz)	102.32		
Additional Charge per Foot (oz)	0.69		
Oil Type	VG74	Oil Volume (ml)	670
Drain Connection (inches)	3/4"		



Images for reference only.

**CERTIFIED**

AHRI NO.	
212361759	

**EFFICIENCY RATINGS**

SEER2	16.5			
EER2	10.7			
HSPF2 (4)	9.5			
HSPF2 (5)	7.7			
COP <sup>2</sup>	47°F (8.3°C)	17°F (-8.3°C)	5°F (-15°C)	-22°F (-30°C)
	3.32	2.58	1.95	1.52

**ELECTRICAL**

Power Supply	(V/Ph/Hz)	208-230/1/60		
Voltage Range	(V)	187-253		
MCA (A)	20	Max Fuse (ODU) (A)	35	
Power Input (W)	Min.	Rated	Max.	
	Cooling	380	2247	2600
Heating	510	2233	3160	
Current (A)	Min.	Rated	Max.	
	Cooling	2.33	9.43	10.68
Heating	3.01	9.3	12.92	

1. Cooling Capacity Conditions: Indoor Temperature @ 80°F (26.7°C) DB; 67°F (19.4°C) WB with Outdoor Temperature @ 95°F (35°C) DB; 75°F (23.9°C) WB. Heating Capacity Conditions: Indoor Temperature @ 70°F (21.1°C) DB; 60°F (15.6°C) WB with Outdoor Temperature @ 47°F (8.3°C) DB; 43°F (6.1°C) WB. Line Set @ 25ft (7.5m); Height Difference @ 0ft (0m). 2. COP for all temperatures is @ rated output except when rated output is not given. In that case, COP is @ max. output. 3. System continues to operate below rated outdoor temperature operating range, subject to varying conditions. System has no low temperature cutout. Capacity is not tested outside of the rated temperature range. | Cased coil unit has a continuous operating temperature limit of 248°F (120°C); this product is not recommended for applications where there is a risk of exceeding this limit (such as with an oil furnace). It is the installer's responsibility to ensure the installation respects this temperature limit. Master Group is not responsible for the accuracy and validity of any changes made to this document without the written authorization of Master Group. Specifications subject to change without notice.

### DIMENSIONS & WEIGHTS

Indoor	Net (WxDxH; in.)	17.52x20.98x17.99	
	Gross (WxDxH; in.)	20.47x26.18x20.28	
	Net Weight lbs   kg	42.77	19.4
	Gross Weight lbs   kg	52.03	23.6
Outdoor	Net (WxDxH; in.)	37.24x16.14x31.89	
	Gross (WxDxH; in.)	42.91x19.69x34.84	
	Net Weight lbs   kg	136.69	62
	Gross Weight lbs   kg	145.5	66

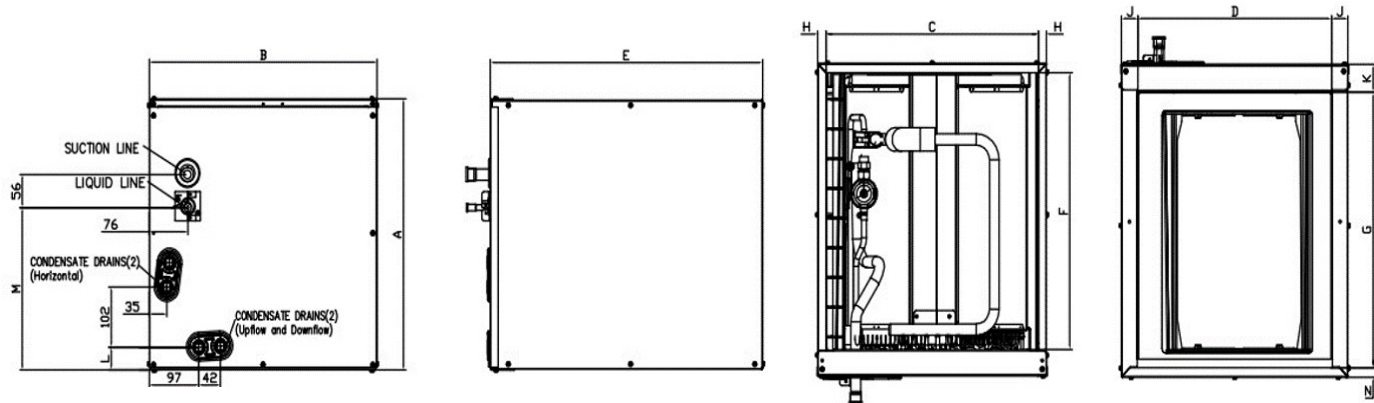
### KEY FEATURES

Rotary Inverter Compressor	<input type="checkbox"/>
Twin Rotary Inverter Compressor	<input checked="" type="checkbox"/>
Base Pan Heater	<input checked="" type="checkbox"/>
Crankcase Heater	<input checked="" type="checkbox"/>

### INCLUDED ACCESSORIES

Adaptor for welding(3/8")
Adaptor for welding(3/4")

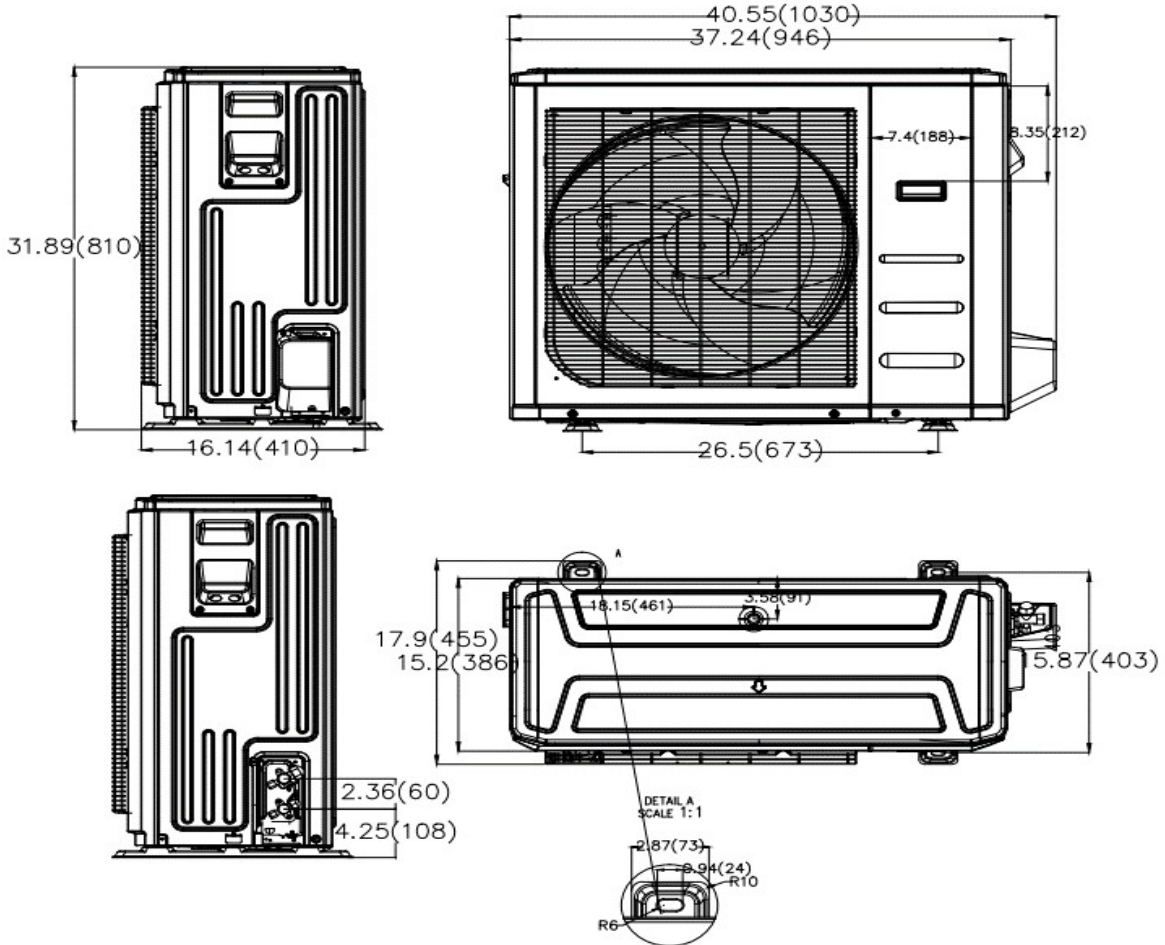
### INDOOR UNIT DRAWING



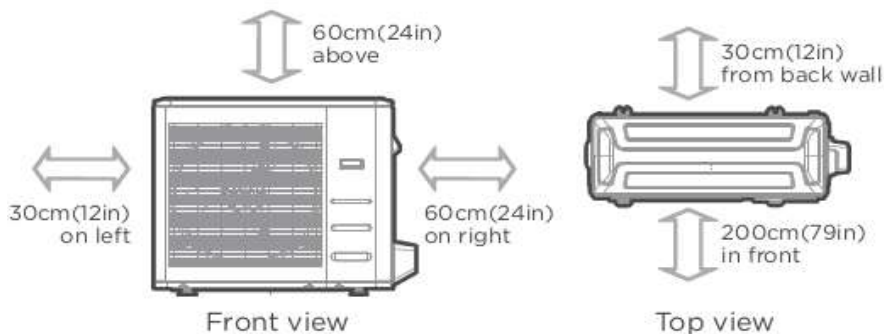
Tag	A	B	C	D	E	F	G	H	I
inches	18	17-1/2	16-3/16	15-1/8	21	18-5/8	18	5/8	1-3/4
mm	461	445	411	384	533	473	458	16	45
Tag	J	K	L	M	N				
inches	1-3/16	1-13/16	1-7/16	10-7/8	1-3/16				
mm	30	46	37	276	30				

Drawing dimensions are nominal. Specifications subject to change without notice. 4. Connection of these accessories may require secondary items not listed; refer to full product literature.

**OUTDOOR UNIT DRAWING**



**OUTDOOR UNIT CLEARANCES**



Note: Outdoor units must be elevated 12-24in. (30.5-61cm) above the surface below in heating applications to allow for snow clearance and defrost runoff. Follow local best-practices and guidelines.

Diagrams for reference only.

**NOTES**