

SUBMITTAL - 18,000BTU WALL-MOUNT - M42 B

Job Name: _____
Location: _____
Engineer: _____
Submitted By: _____
Submitted To: _____

Submitted For: _____ **Approval**
Reference **Construction**
Date: _____
Unit Tag: _____
Drawing No.: _____

WARRANTY

Standard 10 Years Parts & Compressor
Terms & Conditions Apply.

TYPE

Air Source Heat Pump
 Cold Climate Air Source Heat Pump

MODELS

Indoor DMB18HIW42230E8
 Outdoor DMB18HOS42230E8B

CAPACITY RANGE¹

Output (Btu/h)	Min.	Rated	Max.
Cooling	8236	18000	26934
Heating	8673	20000	30995

HEATING PERFORMANCE²

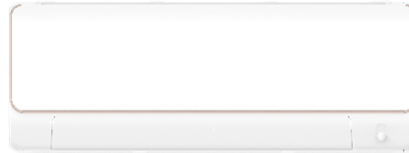
Output (Btu/h)	Min.	Rated	Max.
47°F (8.3°C)	8673	20000	30995
17°F (-8.3°C)	5125	20200	24485
5°F (-15°C)	3589	24000	25423
-22°F (-30°C)		11600	11600

OUTDOOR TEMPERATURE OPERATING RANGE

Cooling	-30~50 °C	-22~122 °F
Heating ³	-30~24 °C	-22~75 °F

LINE SET & REFRIGERANT

Liquid (in.)	3/8"	Gas (in.)	5/8"
Connection Type	Flared		
Pre-Charge Length (ft)	25		
Max. Length (ft)	164.04		
Max. Height Difference (ft)	82.02		
Refrigerant Type	R410a		
Pre-Charge (oz)	91.7124		
Additional Charge per Foot (oz)	0.32		
Oil Type	VG74	Oil Volume (ml)	620
Drain Pipe O.D. (mm)	19		



Images for reference only.

CERTIFIED

AHRI NO.	 
213369384	

EFFICIENCY RATINGS

SEER2	26.3			
EER2	15.3			
HSPF2 (4)	15.5			
HSPF2 (5)	11.6			
COP ²	47°F (8.3°C)	17°F (-8.3°C)	5°F (-15°C)	-22°F (-30°C)
	4.28	2.89	2.89	1.23

ELECTRICAL

Power Supply	(V/Ph/Hz)	208-230/1/60		
Voltage Range	(V)	187-253		
MCA (A)	25	Max Fuse (ODU) (A)	35	
Power Input (W)	Min.	Rated	Max.	
	Cooling	310	1208	2400
Heating	670	1367	3000	
Current (A)	Min.	Rated	Max.	
	Cooling	2.12	5.25	11
Heating	4.32	5.94	13	

1. Cooling Capacity Conditions: Indoor Temperature @ 80°F (26.7°C) DB; 67°F (19.4°C) WB with Outdoor Temperature @ 95°F (35°C) DB; 75°F (23.9°C) WB. Heating Capacity Conditions: Indoor Temperature @ 70°F (21.1°C) DB; 60°F (15.6°C) WB with Outdoor Temperature @ 47°F (8.3°C) DB; 43°F (6.1°C) WB. Line Set @ 25ft (7.5m); Height Difference @ 0ft (0m). 2. COP for all temperatures is @ rated output except when rated output is not given. In that case, COP is @ max. output. 3. System does not have a low temperature cutoff and continues to operate below listed outdoor temperature operating range. Performance data is not available for these conditions however and no guarantees are given for performance. | Master Group is not responsible for the accuracy and validity of any changes made to this document without the written authorization of Master Group. Specifications subject to change without notice.

DIMENSIONS & WEIGHTS		
Indoor	Net (WxDxH; in.)	46.85x11.20x14.59
	Gross (WxDxH; in.)	50.39x14.17x17.91
	Net Weight lbs kg	43.65 19.8
	Gross Weight lbs kg	54.89 24.9
Outdoor	Net (WxDxH; in.)	37.24x16.14x31.89
	Gross (WxDxH; in.)	42.91x19.69x34.84
	Net Weight lbs kg	134.48 61
	Gross Weight lbs kg	144.4 65.5

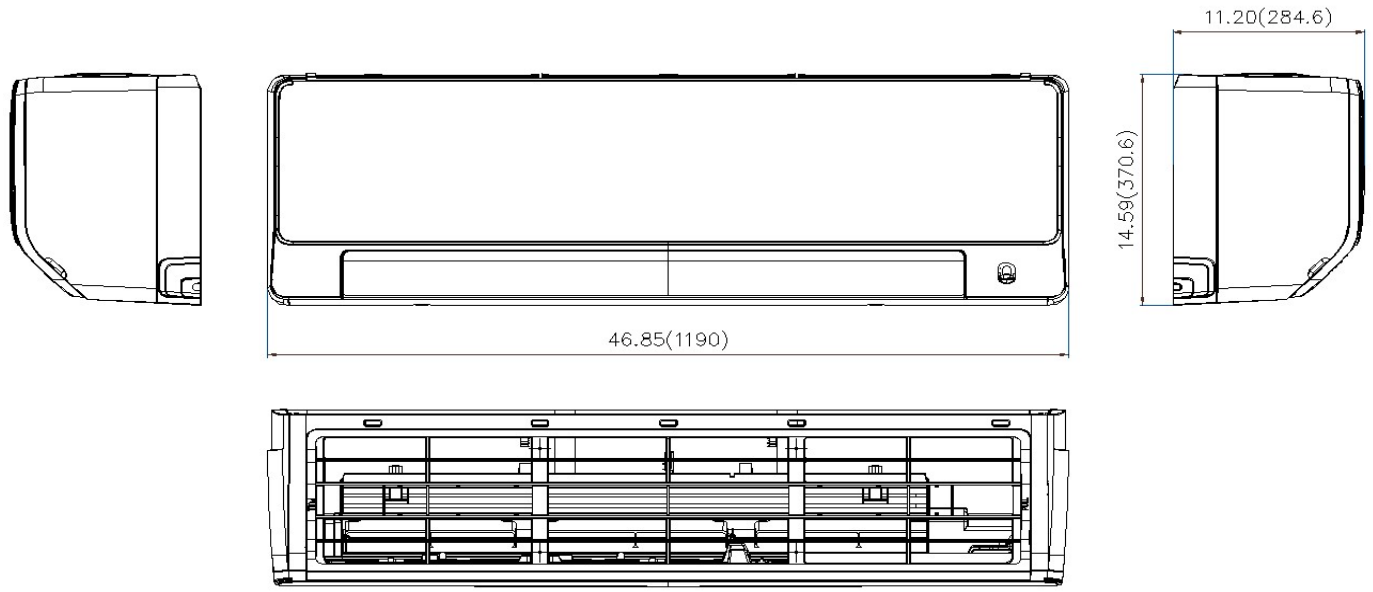
KEY FEATURES	
Rotary Inverter Compressor	<input checked="" type="checkbox"/>
Twin Rotary Inverter Compressor	<input type="checkbox"/>
Base Pan Heater	<input checked="" type="checkbox"/>
Crankcase Heater	<input checked="" type="checkbox"/>

INCLUDED ACCESSORIES	
RG10L1(D2HS)/BGEFU1 - Remote Controller	

FAN				
Indoor	Turbo	High	Med.	Low
CFM	718	611	414	318
dB(A)		46	39	34
Indoor ESP Range inWG				
Indoor Moisture Removal (l/h)				1.035
Outdoor Max. CFM				2235
Outdoor Max. dB(A)				62

OPTIONAL ACCESSORIES ⁴	
17310900003167 - Wi-Fi Dongle	<input type="checkbox"/>
KJR-120L(R1)/EFU1 - Wired Controller	<input type="checkbox"/>
KJR-120N(X6)/BGEF - Wired Controller	<input type="checkbox"/>
KJR-120N1(X4)/BGEF - Wired Controller	<input type="checkbox"/>
24VINTERFACEKITUNIVERSAL	<input type="checkbox"/>
	<input type="checkbox"/>
	<input type="checkbox"/>
	<input type="checkbox"/>
	<input type="checkbox"/>
	<input type="checkbox"/>

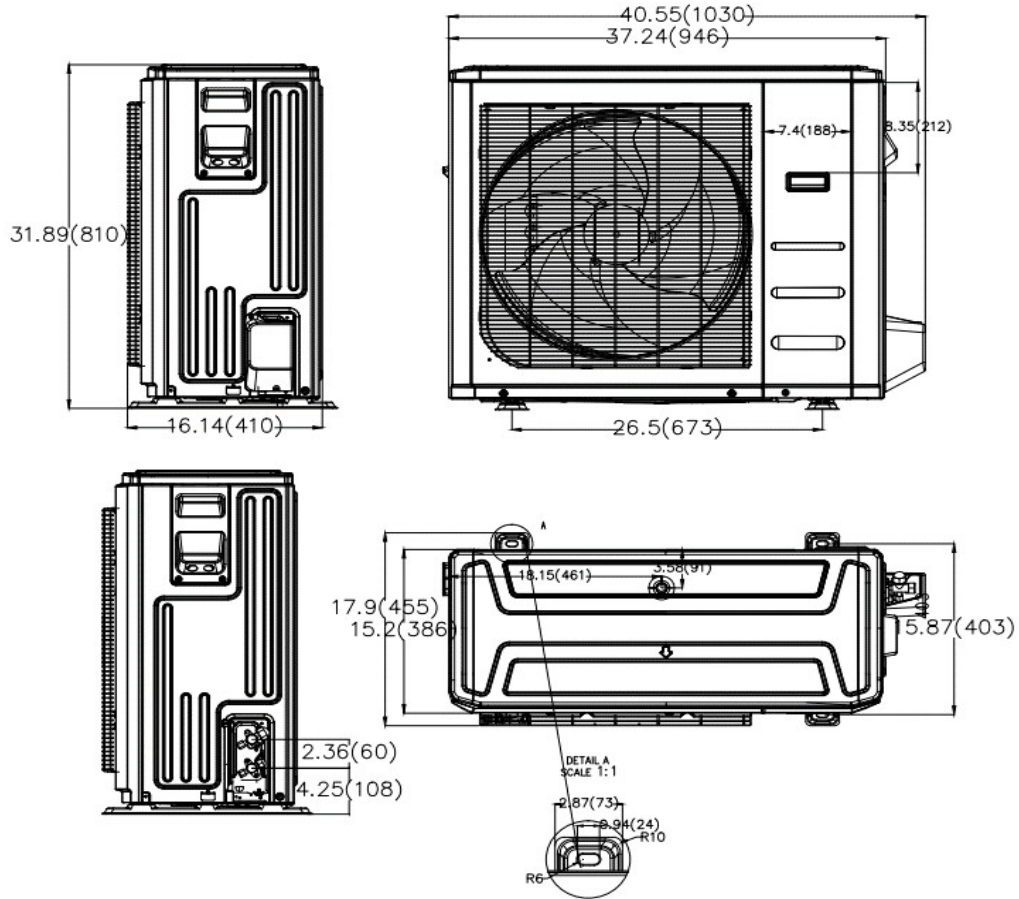
INDOOR UNIT DRAWING



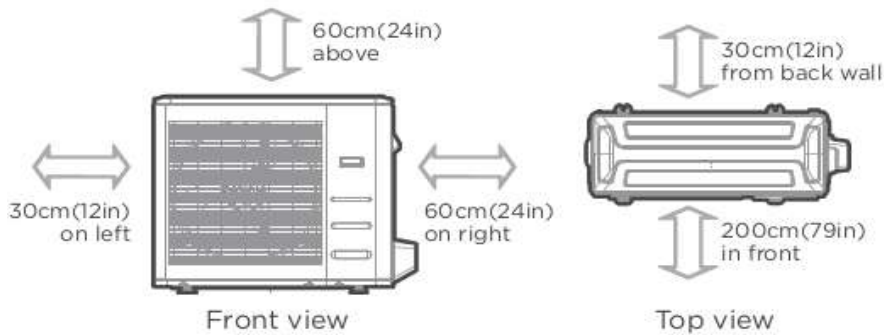
Tag									
inches									
mm									

Drawing dimensions are nominal. Specifications subject to change without notice. 4. Connection of these accessories may require secondary items not listed; refer to full product literature.

OUTDOOR UNIT DRAWING



OUTDOOR UNIT CLEARANCES



Note: Outdoor units must be elevated 12-24in. (30.5-61cm) above the surface below in heating applications to allow for snow clearance and defrost runoff. Follow local best-practices and guidelines.

Diagrams for reference only.

NOTES