

## SUBMITTAL - 12,000BTU WALL-MOUNT - M28

**Job Name:** \_\_\_\_\_

**Location:** \_\_\_\_\_

**Engineer:** \_\_\_\_\_

**Submitted By:** \_\_\_\_\_

**Submitted To:** \_\_\_\_\_

**Submitted For:** \_\_\_\_\_

**Reference**  **Approval**

**Date:** \_\_\_\_\_

**Unit Tag:** \_\_\_\_\_

**Drawing No.:** \_\_\_\_\_

**Construction**

### WARRANTY

Standard 10 Years Parts & Compressor  
Terms & Conditions Apply.

### TYPE

Air Source Heat Pump

Cold Climate Air Source Heat Pump

### MODELS

Indoor	DMA12HIW25230E8
Outdoor	DMA12HOS28230E8

### CAPACITY RANGE<sup>1</sup>

Output (Btu/h)	Min.	Rated	Max.
Cooling	3620	12000	14146
Heating	3920	12000	15613

### HEATING PERFORMANCE<sup>2</sup>

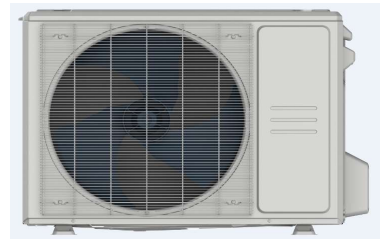
Output (Btu/h)	Min.	Rated	Max.
47°F (8.3°C)	3920	12000	15613
17°F (-8.3°C)	3268	10000	13112
5°F (-15°C)	3084	12000	11782
-22°F (-30°C)		6100	6100

### OUTDOOR TEMPERATURE OPERATING RANGE

Cooling	-30~50 °C	-22~122 °F
Heating <sup>3</sup>	-30~24 °C	-22~75 °F

### LINE SET & REFRIGERANT

Liquid (in.)	1/4"	Gas (in.)	1/2"
Connection Type	Flared		
Pre-Charge Length (ft)	25		
Max. Length (ft)	82		
Max. Height Difference (ft)	32.8		
Refrigerant Type	R410A		
Pre-Charge (oz)	41.62		
Additional Charge per Foot (oz)	0.16		
Oil Type	VG74	Oil Volume (ml)	350
Drain Pipe O.D. (mm)	19		



Images for reference only.

### CERTIFIED

AHRI NO.	
207742496	

### EFFICIENCY RATINGS

SEER2	25.5			
EER2	14			
HSPF2 (4)	10.4			
HSPF2 (5)	8			
COP <sup>2</sup>	47°F (8.3°C)	17°F (-8.3°C)	5°F (-15°C)	-22°F (-30°C)
	3.86	2.4	1.8	1.15

### ELECTRICAL

Power Supply	(V/Ph/Hz)	208-230/1/60		
Voltage Range	(V)	187-253		
MCA (A)	15	Max Fuse (ODU) (A)	15	
Power Input (W)	Min.	Rated	Max.	
	Cooling	180	857	1180
Heating	370	907	1500	
Current (A)	Min.	Rated	Max.	
	Cooling	0.89	3.72	5.5
Heating	1.6	4.1	6.52	

1. Cooling Capacity Conditions: Indoor Temperature @ 80°F (26.7°C) DB; 67°F (19.4°C) WB with Outdoor Temperature @ 95°F (35°C) DB; 75°F (23.9°C) WB. Heating Capacity Conditions: Indoor Temperature @ 70°F (21.1°C) DB; 60°F (15.6°C) WB with Outdoor Temperature @ 47°F (8.3°C) DB; 43°F (6.1°C) WB. Line Set @ 25ft (7.5m); Height Difference @ 0ft (0m). 2. COP for all temperatures is @ rated output except when rated output is not given. In that case, COP is @ max. output. 3. System continues to operate below rated outdoor temperature operating range, subject to varying conditions. System has no low temperature cutout. Capacity is not tested outside of the rated temperature range. | Master Group is not responsible for the accuracy and validity of any changes made to this document without the written authorization of Master Group. Specifications subject to change without notice.

DIMENSIONS & WEIGHTS		
Indoor	Net (WxDxH; in.)	33.66x9.09x11.69
	Gross (WxDxH; in.)	36.22x12.20x14.57
	Net Weight lbs   kg	22.93   10.4
	Gross Weight lbs   kg	28.88   13.1
Outdoor	Net (WxDxH; in.)	31.69x12.99x21.81
	Gross (WxDxH; in.)	36.02x14.57x24.21
	Net Weight lbs   kg	73.63   33.4
	Gross Weight lbs   kg	79.37   36

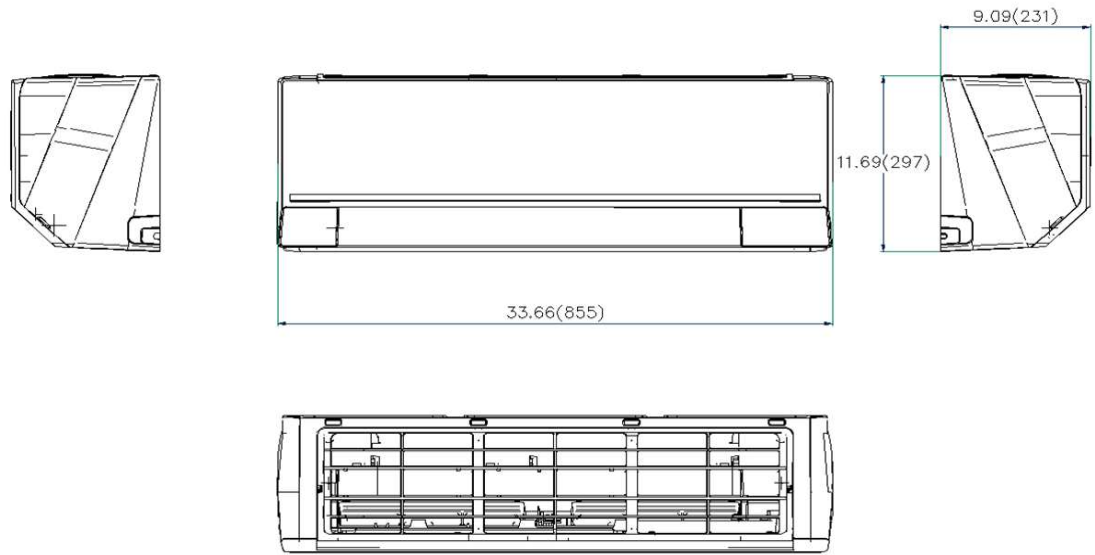
KEY FEATURES	
Rotary Inverter Compressor	<input checked="" type="checkbox"/>
Twin Rotary Inverter Compressor	<input type="checkbox"/>
Base Pan Heater	<input checked="" type="checkbox"/>
Crankcase Heater	<input checked="" type="checkbox"/>

INCLUDED ACCESSORIES	
RG10L2(D2HS)/BGEFU1 - Remote Controller	

FAN				
Indoor	Turbo	High	Med.	Low
CFM	382	335	229	176
dB(A)		38	33.5	23.5
Indoor ESP Range inWG				
Indoor Moisture Removal (l/h)				1.29
Outdoor Max. CFM				1324
Outdoor Max. dB(A)				56

OPTIONAL ACCESSORIES <sup>4</sup>	
17310900003167 - Wi-Fi Dongle	<input type="checkbox"/>
KJR-120L(R1)/EFU1 - Wired Controller	<input type="checkbox"/>
KJR-120N(X6)/BGEF - Wired Controller	<input type="checkbox"/>
KJR-120N1(X4)/BGEF - Wired Controller	<input type="checkbox"/>
24VINTERFACEKITUNIVERSAL	<input type="checkbox"/>
	<input type="checkbox"/>
	<input type="checkbox"/>
	<input type="checkbox"/>
	<input type="checkbox"/>
	<input type="checkbox"/>

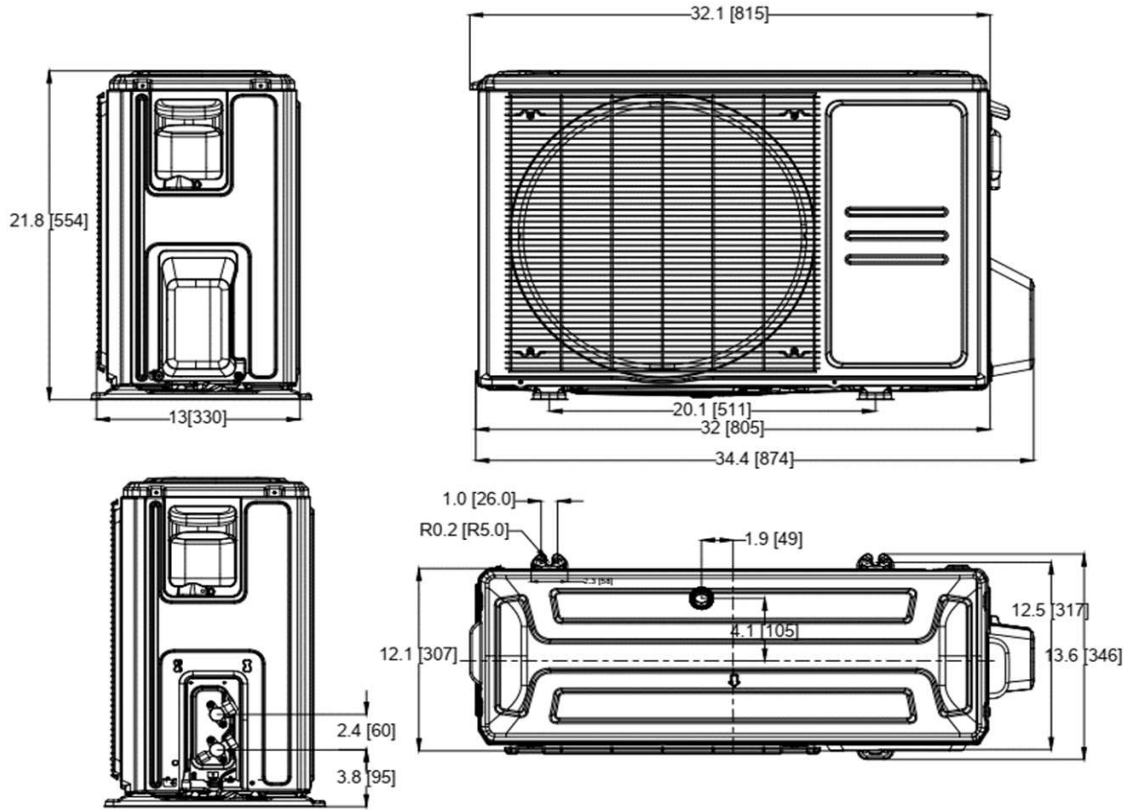
### INDOOR UNIT DRAWING



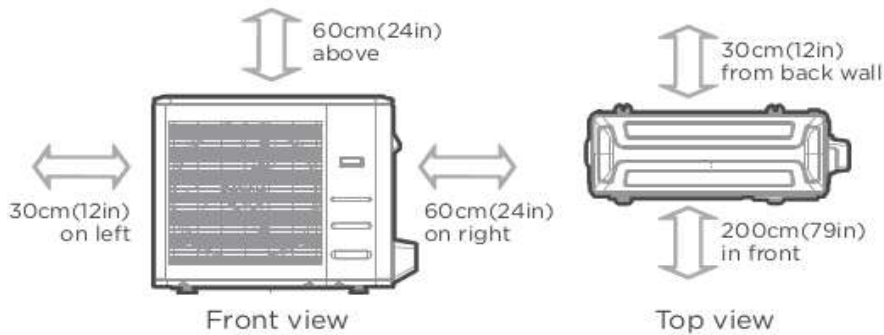
Tag									
inches									
mm									

Drawing dimensions are nominal. Specifications subject to change without notice. 4. Connection of these accessories may require secondary items not listed; refer to full product literature.

**OUTDOOR UNIT DRAWING**



**OUTDOOR UNIT CLEARANCES**



Note: Outdoor units must be elevated 12-24in. (30.5-61cm) above the surface below in heating applications to allow for snow clearance and defrost runoff. Follow local best-practices and guidelines.

Diagrams for reference only.

**NOTES**