

SUBMITTAL - 12,000BTU FLOOR CONSOLE - M28 B

Job Name: _____
Location: _____
Engineer: _____
Submitted By: _____
Submitted To: _____

Submitted For: _____ **Approval**
Reference **Construction**
Date: _____
Unit Tag: _____
Drawing No.: _____

WARRANTY

Standard 10 Years Parts & Compressor
Terms & Conditions Apply.

TYPE

Air Source Heat Pump
 Cold Climate Air Source Heat Pump

MODELS

Indoor DUB12HIFU230X5A
 Outdoor DMA12HOS28230E8

CAPACITY RANGE¹

Output (Btu/h)	Min.	Rated	Max.
Cooling	3600	12000	14400
Heating	3600	12000	16000

HEATING PERFORMANCE²

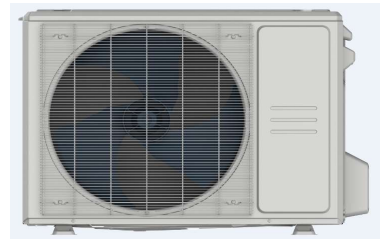
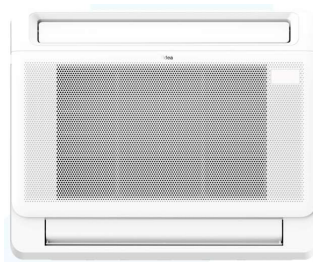
Output (Btu/h)	Min.	Rated	Max.
47°F (8.3°C)	3600	12000	16000
17°F (-8.3°C)	2300	10200	12800
5°F (-15°C)	1700	11900	12300
-22°F (-30°C)	500	6000	6000

OUTDOOR TEMPERATURE OPERATING RANGE

Cooling	-30~50 °C	-22~122 °F
Heating ³	-30~24 °C	-22~75 °F

LINE SET & REFRIGERANT

Liquid (in.)	1/4"	Gas (in.)	1/2"
Connection Type	Flared		
Pre-Charge Length (ft)	25		
Max. Length (ft)	82		
Max. Height Difference (ft)	32.8		
Refrigerant Type	R410A		
Pre-Charge (oz)	41.62		
Additional Charge per Foot (oz)	0.16		
Oil Type	VG74	Oil Volume (ml)	350
Drain Pipe O.D. (mm)	16		



Images for reference only.

CERTIFIED

AHRI NO.	 
212596840	

EFFICIENCY RATINGS

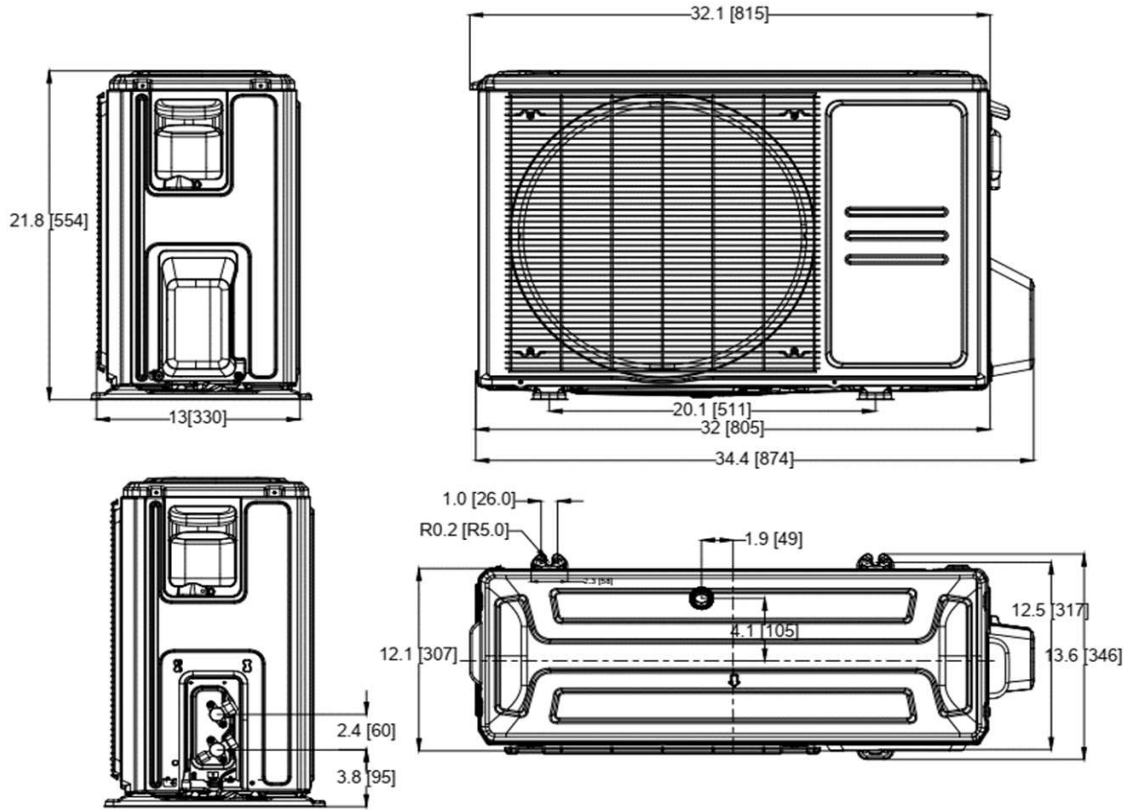
SEER2	24.2			
EER2	13.3			
HSPF2 (4)	10.7			
HSPF2 (5)	8.7			
COP ²	47°F (8.3°C)	17°F (-8.3°C)	5°F (-15°C)	-22°F (-30°C)
	4.04	2.72	1.99	1.16

ELECTRICAL

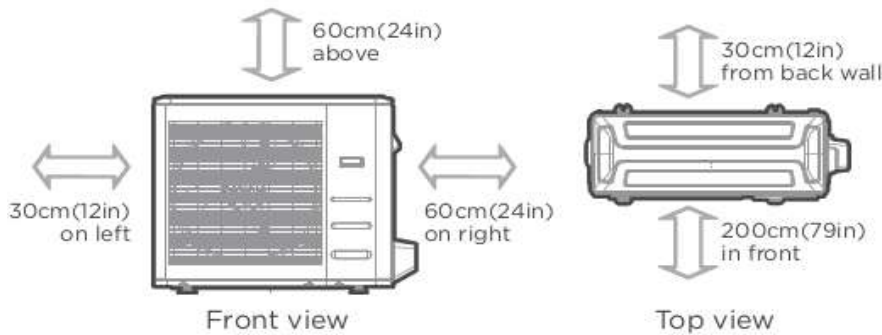
Power Supply	(V/Ph/Hz)	208-230/1/60		
Voltage Range	(V)	187-253		
MCA (A)	15	Max Fuse (ODU) (A)	15	
Power Input (W)	Min.	Rated	Max.	
	Cooling	170	902	1230
Heating	342	857	1450	
Current (A)	Min.	Rated	Max.	
	Cooling	1.42	4.13	5.51
Heating	1.81	4.12	6.64	

1. Cooling Capacity Conditions: Indoor Temperature @ 80°F (26.7°C) DB; 67°F (19.4°C) WB with Outdoor Temperature @ 95°F (35°C) DB; 75°F (23.9°C) WB. Heating Capacity Conditions: Indoor Temperature @ 70°F (21.1°C) DB; 60°F (15.6°C) WB with Outdoor Temperature @ 47°F (8.3°C) DB; 43°F (6.1°C) WB. Line Set @ 25ft (7.5m); Height Difference @ 0ft (0m). 2. COP for all temperatures is @ rated output except when rated output is not given. In that case, COP is @ max. output. 3. System continues to operate below rated outdoor temperature operating range, subject to varying conditions. System has no low temperature cutout. Capacity is not tested outside of the rated temperature range. | Master Group is not responsible for the accuracy and validity of any changes made to this document without the written authorization of Master Group. Specifications subject to change without notice.

OUTDOOR UNIT DRAWING



OUTDOOR UNIT CLEARANCES



Note: Outdoor units must be elevated 12-24in. (30.5-61cm) above the surface below in heating applications to allow for snow clearance and defrost runoff. Follow local best-practices and guidelines.

Diagrams for reference only.

NOTES