

SUBMITTAL - 12,000BTU DUCTED - M25

Job Name: _____

Location: _____

Engineer: _____

Submitted By: _____

Submitted To: _____

Submitted For: _____

Reference **Approval**

Date: _____

Unit Tag: _____

Drawing No.: _____

WARRANTY

Standard 10 Years Parts & Compressor
Terms & Conditions Apply.

TYPE

Air Source Heat Pump

Cold Climate Air Source Heat Pump

MODELS

Indoor	DUA12HIDU230X5
Outdoor	DMA12HOS25230E8

CAPACITY RANGE¹

Output (Btu/h)	Min.	Rated	Max.
Cooling	2900	11500	13500
Heating	2900	12000	15000

HEATING PERFORMANCE²

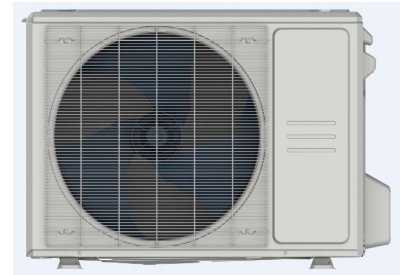
Output (Btu/h)	Min.	Rated	Max.
47°F (8.3°C)	2900	12000	15000
17°F (-8.3°C)	1900	9300	10100
5°F (-15°C)	1400	8400	8400
-13°F (-25°C)	600		6200

OUTDOOR TEMPERATURE OPERATING RANGE

Cooling	-25 ~ 50 °C	-13 ~ 122 °F
Heating ³	-25 ~ 24 °C	-13 ~ 75 °F

LINE SET & REFRIGERANT

Liquid (in.)	1/4"	Gas (in.)	1/2"
Connection Type	Flared		
Pre-Charge Length (ft)	25		
Maximum Length (ft)	82		
Maximum Height Difference (ft)	32.8		
Refrigerant Type	R410A		
Pre-Charge (oz)	38.1		
Additional Charge per Foot (oz)	0.16		
Oil Type	VG74	Oil Volume (ml)	310
Drain Pipe O.D. (mm)	25		



Images for reference only.

CERTIFIED

AHRI NO.	
207742515	

EFFICIENCY RATINGS

SEER2	19			
EER2	11.7			
HSPF2 (4)	10.3			
HSPF2 (5)	7.8			
COP ²	47°F (8.3°C)	17°F (-8.3°C)	5°F (-15°C)	-13°F (-25°C)
	3.52	2.78	2.26	1.14

ELECTRICAL

Power Supply	(V/Ph/Hz)	208-230/1/60	
Voltage Range	(V)	187-253	
MCA (A)	13	Max Fuse (ODU) (A)	15
Power Input (W)	Min.	Rated	Max.
	Cooling	197	983
Heating	200	1000	1300
Current (A)	Min.	Rated	Max.
	Cooling	1.78	4.39
Heating	1.84	4.78	5.95

1. Cooling Capacity Conditions: Indoor Temperature @ 80°F (26.7°C) DB; 67°F (19.4°C) WB with Outdoor Temperature @ 95°F (35°C) DB; 75°F (23.9°C) WB. Heating Capacity Conditions: Indoor Temperature @ 70°F (21.1°C) DB; 60°F (15.6°C) WB with Outdoor Temperature @ 47°F (8.3°C) DB; 43°F (6.1°C) WB. Line Set @ 25ft (7.5m); Height Difference @ 0ft (0m). 2. COP for all temperatures is @ rated output except when rated output is not given. In that case, COP is @ max. output. 3. System continues to operate below rated outdoor temperature operating range, subject to varying conditions. System has no low temperature cutout. Capacity is not tested outside of the rated temperature range. | Master Group is not responsible for the accuracy and validity of any changes made to this document without the written authorization of Master Group. Specifications subject to change without notice.

DIMENSIONS & WEIGHTS

Indoor	Net (WxDxH; in.)	27.56x19.92x7.87	
	Gross (WxDxH; in.)	33.86x21.26x11.22	
	Net Weight lbs kg	39.24	17.8
	Gross Weight lbs kg	48.5	22
Outdoor	Net (WxDxH; in.)	30.12x11.93x21.85	
	Gross (WxDxH; in.)	34.92x13.27x24.02	
	Net Weight lbs kg	63.71	28.9
	Gross Weight lbs kg	69	31.3

KEY FEATURES

Rotary Inverter Compressor	<input checked="" type="checkbox"/>
Twin Rotary Inverter Compressor	<input type="checkbox"/>
Base Pan Heater	<input checked="" type="checkbox"/>
Crankcase Heater	<input checked="" type="checkbox"/>

INCLUDED ACCESSORIES

KJR-120L(R1)/EFU1 - Wired Controller	

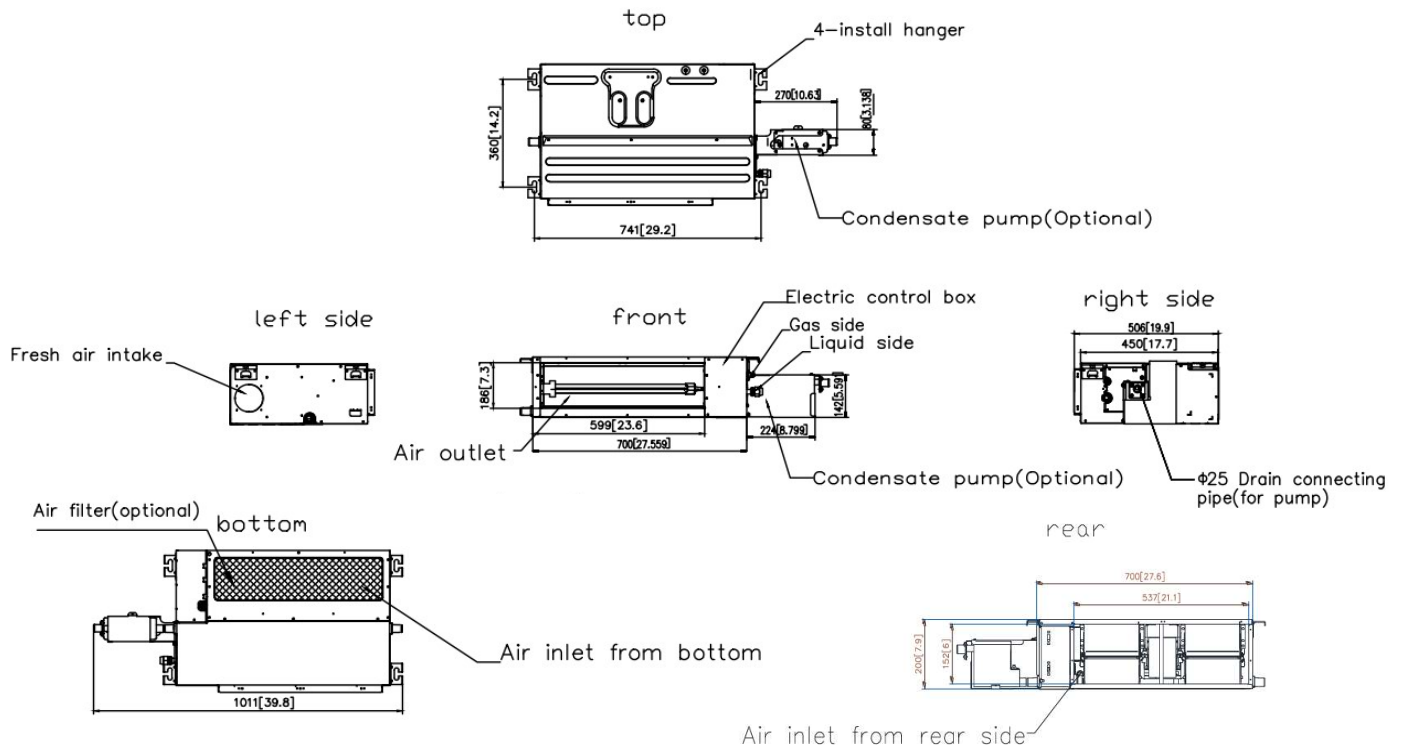
FAN

Indoor	Turbo	High	Med.	Low
CFM		352	282	176
dB(A)		38	34.5	31
Indoor ESP Range inWG				0-0.32
Indoor Moisture Removal (l/h)				1.6
Outdoor Max. CFM				1294
Outdoor Max. dB(A)				53.5

OPTIONAL ACCESSORIES⁴

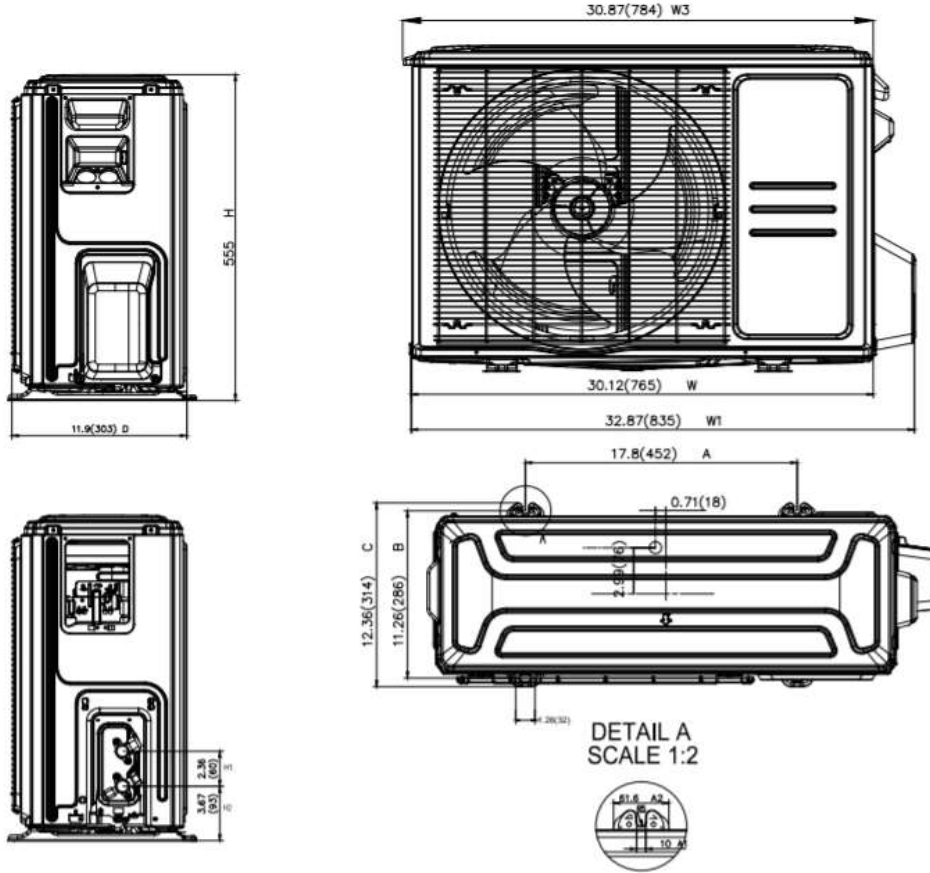
WF-60A1-F - Smart Port	<input type="checkbox"/>
KJR-120N(X6)/BGEF - Wired Controller	<input type="checkbox"/>
KJR-120N(X6W)/BGEF - Wired Controller	<input type="checkbox"/>
24VINTERFACEKITUNIVERSAL	<input type="checkbox"/>
	<input type="checkbox"/>
	<input type="checkbox"/>
	<input type="checkbox"/>
	<input type="checkbox"/>
	<input type="checkbox"/>
	<input type="checkbox"/>

INDOOR UNIT DRAWING

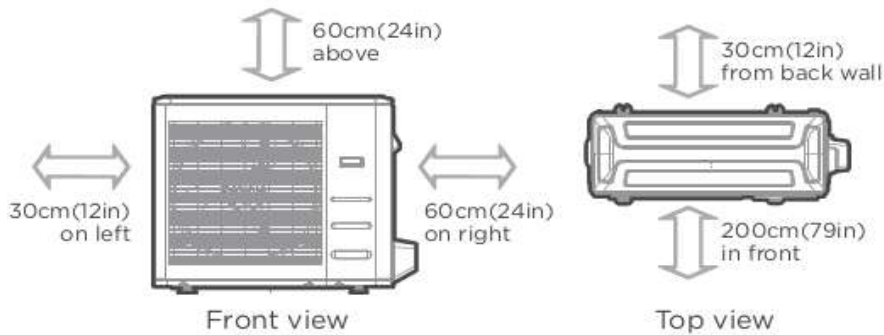


Drawing dimensions are nominal. Specifications subject to change without notice. 4. Connection of these accessories may require secondary items not listed; refer to full product literature.

OUTDOOR UNIT DRAWING



OUTDOOR UNIT CLEARANCES



Note: Outdoor units must be elevated 12-24in. (30.5-61cm) above the surface below in heating applications to allow for snow clearance and defrost runoff. Follow local best-practices and guidelines.

Diagrams for reference only.

NOTES