

SUBMITTAL - 9,000BTU WALL-MOUNT - M42 B

Job Name: _____
Location: _____
Engineer: _____
Submitted By: _____
Submitted To: _____

Submitted For: _____ **Approval**
Reference **Construction**
Date: _____
Unit Tag: _____
Drawing No.: _____

WARRANTY

Standard 10 Years Parts & Compressor
Terms & Conditions Apply.

TYPE

Air Source Heat Pump
 Cold Climate Air Source Heat Pump

MODELS

Indoor	DMB09HIW42230E8
Outdoor	DMB09HOS42230E8

CAPACITY RANGE¹

Output (Btu/h)	Min.	Rated	Max.
Cooling	3600	9000	18000
Heating	8000	12000	18400

HEATING PERFORMANCE²

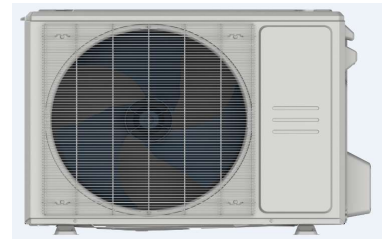
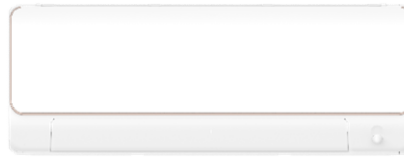
Output (Btu/h)	Min.	Rated	Max.
47°F (8.3°C)	8000	12000	18400
17°F (-8.3°C)	5800	11400	15100
5°F (-15°C)	2300	13500	13500
-22°F (-30°C)	3100		8096

OUTDOOR TEMPERATURE OPERATING RANGE

Cooling	-30 ~ 50 °C	-22 ~ 122 °F
Heating ³	-30 ~ 24 °C	-22 ~ 75 °F

LINE SET & REFRIGERANT

Liquid (in.)	1/4"	Gas (in.)	1/2"
Connection Type	Flared		
Pre-Charge Length (ft)	25		
Max. Length (ft)	82		
Max. Height Difference (ft)	32.8		
Refrigerant Type	R410a		
Pre-Charge (oz)	52.91		
Additional Charge per Foot (oz)	0.16		
Oil Type	RB75EA	Oil Volume (ml)	500
Drain Pipe O.D. (mm)	19		



Images for reference only.

CERTIFIED

AHRI NO.	 
213088009	

EFFICIENCY RATINGS

SEER2	29			
EER2	16.5			
HSPF2 (4)	22			
HSPF2 (5)	16			
COP ²	47°F (8.3°C)	17°F (-8.3°C)	5°F (-15°C)	-22°F (-30°C)
	3.91	2.17	1.86	1.33

ELECTRICAL

Power Supply	(V/Ph/Hz)	208-230/1/60		
Voltage Range	(V)	187-253		
MCA (A)	16	Max Fuse (ODU) (A)	20	
Power Input (W)	Min.	Rated	Max.	
	Cooling	185	545	1690
Heating	400	902	1770	
Current (A)	Min.	Rated	Max.	
	Cooling	0.75	2.37	7.35
Heating	0.13	3.92	7.7	

1. Cooling Capacity Conditions: Indoor Temperature @ 80°F (26.7°C) DB; 67°F (19.4°C) WB with Outdoor Temperature @ 95°F (35°C) DB; 75°F (23.9°C) WB. Heating Capacity Conditions: Indoor Temperature @ 70°F (21.1°C) DB; 60°F (15.6°C) WB with Outdoor Temperature @ 47°F (8.3°C) DB; 43°F (6.1°C) WB. Line Set @ 25ft (7.5m); Height Difference @ 0ft (0m). 2. COP for all temperatures is @ rated output except when rated output is not given. In that case, COP is @ max. output. 3. System does not have a low temperature cutoff and continues to operate below listed outdoor temperature operating range. Performance data is not available for these conditions however and no guarantees are given for performance. | Master Group is not responsible for the accuracy and validity of any changes made to this document without the written authorization of Master Group. Specifications subject to change without notice.

DIMENSIONS & WEIGHTS		
Indoor	Net (WxDxH; in.)	40.06x9.72x12.60
	Gross (WxDxH; in.)	43.11x12.80x15.75
	Net Weight lbs kg	28 12.7
	Gross Weight lbs kg	39.68 18
Outdoor	Net (WxDxH; in.)	35.04x13.46x26.50
	Gross (WxDxH; in.)	39.17x15.67x29.13
	Net Weight lbs kg	101.41 46
	Gross Weight lbs kg	107.36 48.7

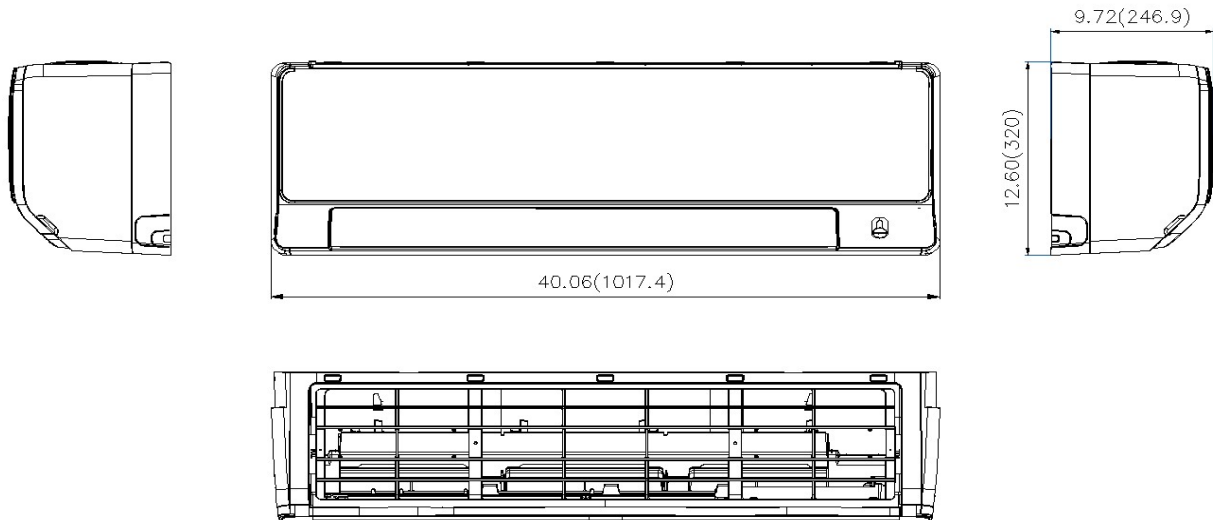
KEY FEATURES	
Rotary Inverter Compressor	<input checked="" type="checkbox"/>
Twin Rotary Inverter Compressor	<input type="checkbox"/>
Base Pan Heater	<input checked="" type="checkbox"/>
Crankcase Heater	<input checked="" type="checkbox"/>

INCLUDED ACCESSORIES	
RG10L1(D2HS)/BGEFU1 - Remote Controller	

FAN				
Indoor	Turbo	High	Med.	Low
CFM	541	423	211	152
dB(A)		41	36.5	28
Indoor ESP Range inWG				
Indoor Moisture Removal (l/h)				0.027
Outdoor Max. CFM				1765
Outdoor Max. dB(A)				56.5

OPTIONAL ACCESSORIES ⁴	
17310900003167 - Wi-Fi Dongle	<input type="checkbox"/>
KJR-120L(R1)/EFU1 - Wired Controller	<input type="checkbox"/>
KJR-120N(X6)/BGEF - Wired Controller	<input type="checkbox"/>
KJR-120N1(X4)/BGEF - Wired Controller	<input type="checkbox"/>
24VINTERFACEKITUNIVERSAL	<input type="checkbox"/>
	<input type="checkbox"/>
	<input type="checkbox"/>
	<input type="checkbox"/>
	<input type="checkbox"/>
	<input type="checkbox"/>

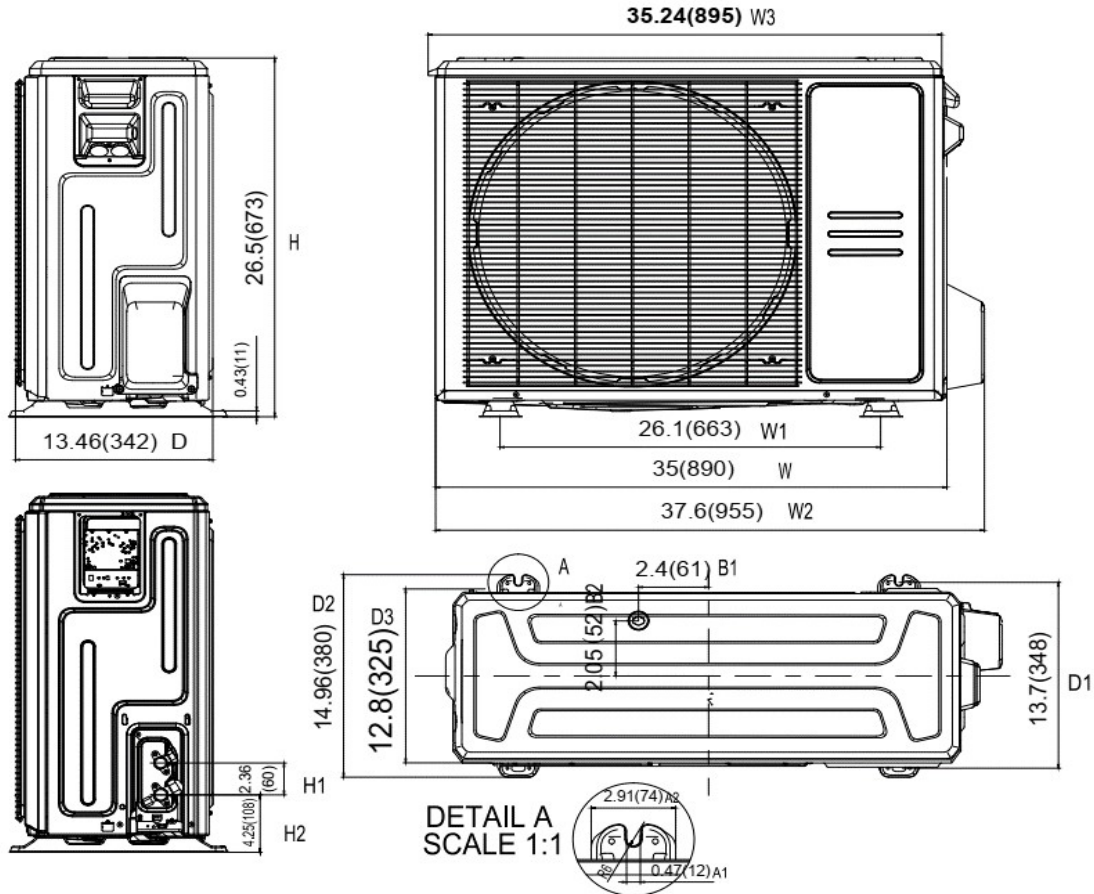
INDOOR UNIT DRAWING



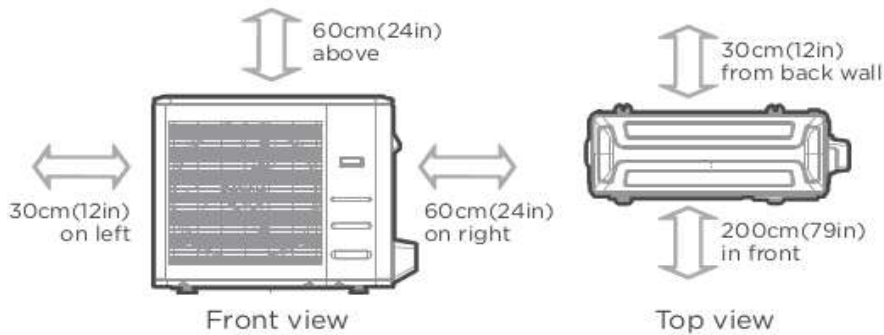
Tag									
inches									
mm									

Drawing dimensions are nominal. Specifications subject to change without notice. 4. Connection of these accessories may require secondary items not listed; refer to full product literature.

OUTDOOR UNIT DRAWING



OUTDOOR UNIT CLEARANCES



Note: Outdoor units must be elevated 12-24in. (30.5-61cm) above the surface below in heating applications to allow for snow clearance and defrost runoff. Follow local best-practices and guidelines.

Diagrams for reference only.

NOTES