

SUBMITTAL - 9,000BTU WALL-MOUNT - M28

Job Name: _____
Location: _____
Engineer: _____
Submitted By: _____
Submitted To: _____

Submitted For: _____ **Approval**
Reference **Construction**
Date: _____
Unit Tag: _____
Drawing No.: _____

WARRANTY

Standard 10 Years Parts & Compressor
Terms & Conditions Apply.

TYPE

Air Source Heat Pump
 Cold Climate Air Source Heat Pump

MODELS

Indoor	DMA09HIW25230E8
Outdoor	DMA09HOS28230E8

CAPACITY RANGE¹

Output (Btu/h)	Min.	Rated	Max.
Cooling	3320	9000	14398
Heating	5070	12000	15296

HEATING PERFORMANCE²

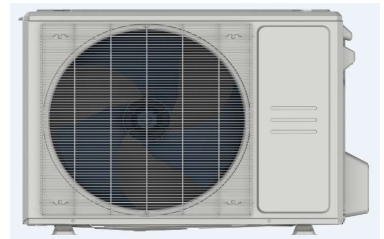
Output (Btu/h)	Min.	Rated	Max.
47°F (8.3°C)	5070	12000	15296
17°F (-8.3°C)	2108	9500	12371
5°F (-15°C)	1938	10600	11109
-22°F (-30°C)		5500	5500

OUTDOOR TEMPERATURE OPERATING RANGE

Cooling	-30~50 °C	-22~122 °F
Heating ³	-30~24 °C	-22~75 °F

LINE SET & REFRIGERANT

Liquid (in.)	1/4"	Gas (in.)	3/8"
Connection Type	Flared		
Pre-Charge Length (ft)	25		
Max. Length (ft)	82		
Max. Height Difference (ft)	32.8		
Refrigerant Type	R410A		
Pre-Charge (oz)	41.62		
Additional Charge per Foot (oz)	0.16		
Oil Type	VG74	Oil Volume (ml)	350
Drain Pipe O.D. (mm)	19		



Images for reference only.

CERTIFIED

AHRI NO.		
207742495		

EFFICIENCY RATINGS

SEER2	28.1			
EER2	16.2			
HSPF2 (4)	11.5			
HSPF2 (5)	9			
COP ²	47°F (8.3°C)	17°F (-8.3°C)	5°F (-15°C)	-22°F (-30°C)
	3.82	2.53	2	1.25

ELECTRICAL

Power Supply	(V/Ph/Hz)	208-230/1/60		
Voltage Range	(V)	187-253		
MCA (A)	15	Max Fuse (ODU) (A)	15	
Power Input (W)	Min.	Rated	Max.	
	Cooling	180	556	1180
Heating	370	907	1500	
Current (A)	Min.	Rated	Max.	
	Cooling	0.78	2.5	5.13
Heating	1.6	4.1	6.52	

1. Cooling Capacity Conditions: Indoor Temperature @ 80°F (26.7°C) DB; 67°F (19.4°C) WB with Outdoor Temperature @ 95°F (35°C) DB; 75°F (23.9°C) WB. Heating Capacity Conditions: Indoor Temperature @ 70°F (21.1°C) DB; 60°F (15.6°C) WB with Outdoor Temperature @ 47°F (8.3°C) DB; 43°F (6.1°C) WB. Line Set @ 25ft (7.5m); Height Difference @ 0ft (0m). 2. COP for all temperatures is @ rated output except when rated output is not given. In that case, COP is @ max. output. 3. System continues to operate below rated outdoor temperature operating range, subject to varying conditions. System has no low temperature cutout. Capacity is not tested outside of the rated temperature range. | Master Group is not responsible for the accuracy and validity of any changes made to this document without the written authorization of Master Group. Specifications subject to change without notice.

DIMENSIONS & WEIGHTS

Indoor	Net (WxDxH; in.)	33.66x9.09x11.69	
	Gross (WxDxH; in.)	36.22x12.20x14.57	
	Net Weight lbs kg	22.71	10.3
	Gross Weight lbs kg	28.88	13.1
Outdoor	Net (WxDxH; in.)	31.69x12.99x21.81	
	Gross (WxDxH; in.)	36.02x14.57x24.21	
	Net Weight lbs kg	74.07	33.6
	Gross Weight lbs kg	80.25	36.4

KEY FEATURES

Rotary Inverter Compressor	<input checked="" type="checkbox"/>
Twin Rotary Inverter Compressor	<input type="checkbox"/>
Base Pan Heater	<input checked="" type="checkbox"/>
Crankcase Heater	<input checked="" type="checkbox"/>

INCLUDED ACCESSORIES

RG10L2(D2HS)/BGEFU1 - Remote Controller	

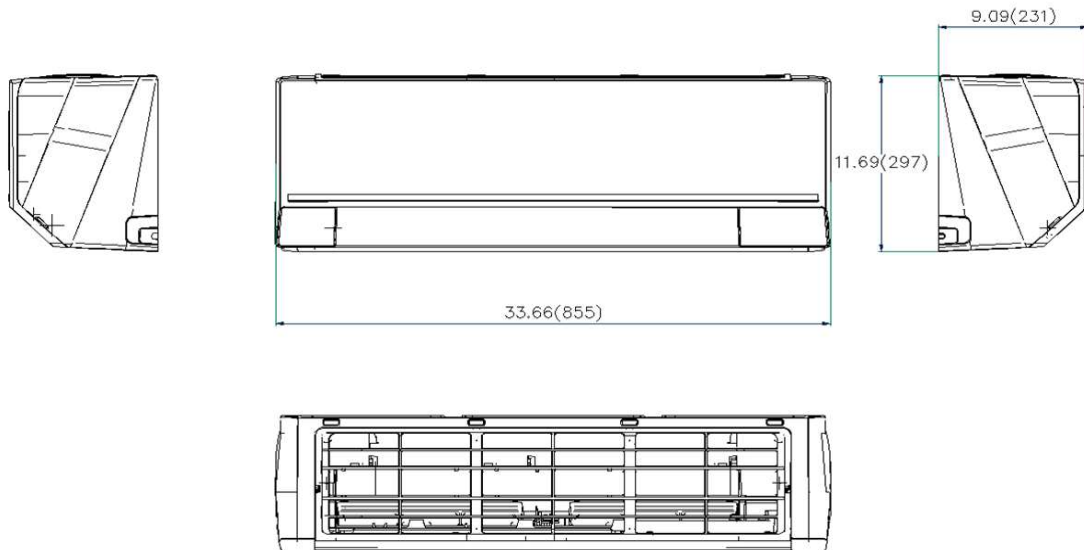
FAN

Indoor	Turbo	High	Med.	Low
CFM	382	335	229	176
dB(A)		38	33.5	23.5
Indoor ESP Range inWG				
Indoor Moisture Removal (l/h)				0.38
Outdoor Max. CFM				1324
Outdoor Max. dB(A)				54.5

OPTIONAL ACCESSORIES⁴

17310900003167 - Wi-Fi Dongle	<input type="checkbox"/>
KJR-120L(R1)/EFU1 - Wired Controller	<input type="checkbox"/>
KJR-120N(X6)/BGEF - Wired Controller	<input type="checkbox"/>
KJR-120N1(X4)/BGEF - Wired Controller	<input type="checkbox"/>
24VINTERFACEKITUNIVERSAL	<input type="checkbox"/>
	<input type="checkbox"/>
	<input type="checkbox"/>
	<input type="checkbox"/>
	<input type="checkbox"/>
	<input type="checkbox"/>

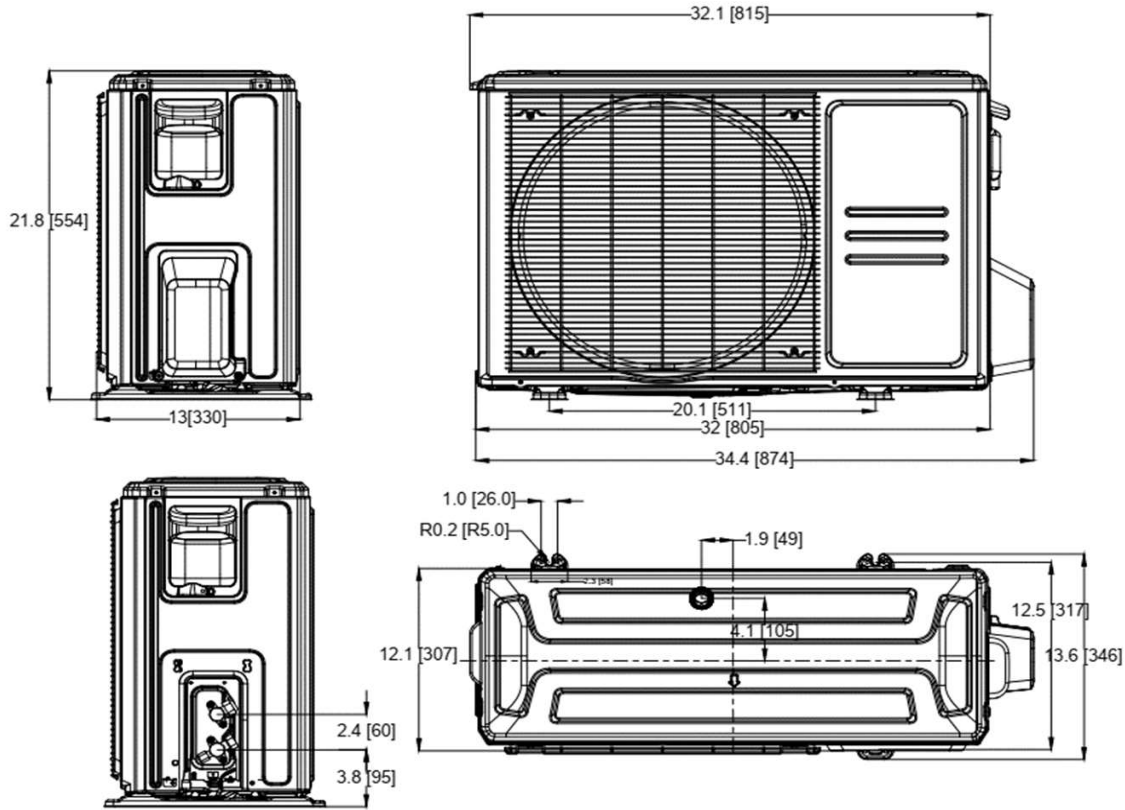
INDOOR UNIT DRAWING



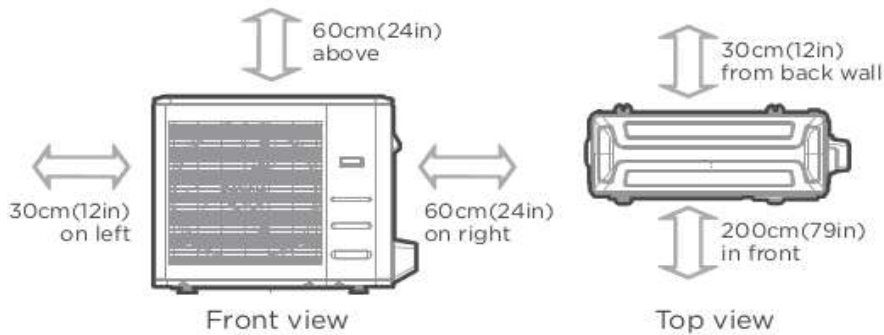
Tag	
inches	
mm	

Drawing dimensions are nominal. Specifications subject to change without notice. 4. Connection of these accessories may require secondary items not listed; refer to full product literature.

OUTDOOR UNIT DRAWING



OUTDOOR UNIT CLEARANCES



Note: Outdoor units must be elevated 12-24in. (30.5-61cm) above the surface below in heating applications to allow for snow clearance and defrost runoff. Follow local best-practices and guidelines.

Diagrams for reference only.

NOTES