

SUBMITTAL - 9,000BTU DUCTED - M28

Job Name: _____

Location: _____

Engineer: _____

Submitted By: _____

Submitted To: _____

Submitted For: _____

Reference **Approval**

Date: _____

Unit Tag: _____

Drawing No.: _____

WARRANTY

Standard 10 Years Parts & Compressor

Terms & Conditions Apply.

TYPE

Air Source Heat Pump

Cold Climate Air Source Heat Pump

MODELS

Indoor	DUA09HIDU230X5
Outdoor	DMA09HOS28230E8

CAPACITY RANGE¹

Output (Btu/h)	Min.	Rated	Max.
Cooling	2400	9000	12500
Heating	2600	10000	15600

HEATING PERFORMANCE²

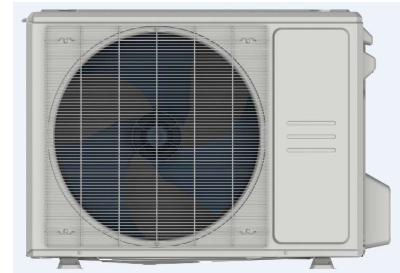
Output (Btu/h)	Min.	Rated	Max.
47°F (8.3°C)	2600	10000	15600
17°F (-8.3°C)	1800	10100	11600
5°F (-15°C)	1200	10800	10800
-22°F (-30°C)	600	5000	5000

OUTDOOR TEMPERATURE OPERATING RANGE

Cooling	-30 ~ 50 °C	-22 ~ 122 °F
Heating ³	-30 ~ 24 °C	-22 ~ 75 °F

LINE SET & REFRIGERANT

Liquid (in.)	1/4"	Gas (in.)	3/8"
Connection Type	Flared		
Pre-Charge Length (ft)	25		
Maximum Length (ft)	82		
Maximum Height Difference (ft)	32.8		
Refrigerant Type	R410A		
Pre-Charge (oz)	41.62		
Additional Charge per Foot (oz)	0.16		
Oil Type	VG74	Oil Volume (ml)	350
Drain Pipe O.D. (mm)	25		



Images for reference only.

CERTIFIED

AHRI NO.	
207742521	

EFFICIENCY RATINGS

SEER2	20.2			
EER2	13.2			
HSPF2 (4)	12			
HSPF2 (5)	9.5			
COP ²	47°F (8.3°C)	17°F (-8.3°C)	5°F (-15°C)	-22°F (-30°C)
	3.37	2.41	1.9	1.05

ELECTRICAL

Power Supply	(V/Ph/Hz)	208-230/1/60	
Voltage Range	(V)	187-253	
MCA (A)	15	Max Fuse (ODU) (A)	15
Power Input (W)	Min.	Rated	Max.
	Cooling	174	682
Heating	176	870	1494
Current (A)	Min.	Rated	Max.
	Cooling	1.41	4.7
Heating	1.44	4	6.59

1. Cooling Capacity Conditions: Indoor Temperature @ 80°F (26.7°C) DB; 67°F (19.4°C) WB with Outdoor Temperature @ 95°F (35°C) DB; 75°F (23.9°C) WB. Heating Capacity Conditions: Indoor Temperature @ 70°F (21.1°C) DB; 60°F (15.6°C) WB with Outdoor Temperature @ 47°F (8.3°C) DB; 43°F (6.1°C) WB. Line Set @ 25ft (7.5m); Height Difference @ 0ft (0m). 2. COP for all temperatures is @ rated output except when rated output is not given. In that case, COP is @ max. output. 3. System continues to operate below rated outdoor temperature operating range, subject to varying conditions. System has no low temperature cutout. Capacity is not tested outside of the rated temperature range. | Master Group is not responsible for the accuracy and validity of any changes made to this document without the written authorization of Master Group. Specifications subject to change without notice.

DIMENSIONS & WEIGHTS		
Indoor	Net (WxDxH; in.)	27.56x19.92x7.87
	Gross (WxDxH; in.)	33.86x21.26x11.22
	Net Weight lbs kg	39.02 17.7
	Gross Weight lbs kg	48.28 21.9
Outdoor	Net (WxDxH; in.)	31.69x12.99x21.81
	Gross (WxDxH; in.)	36.02x14.57x24.21
	Net Weight lbs kg	74.07 33.6
	Gross Weight lbs kg	80.25 36.4

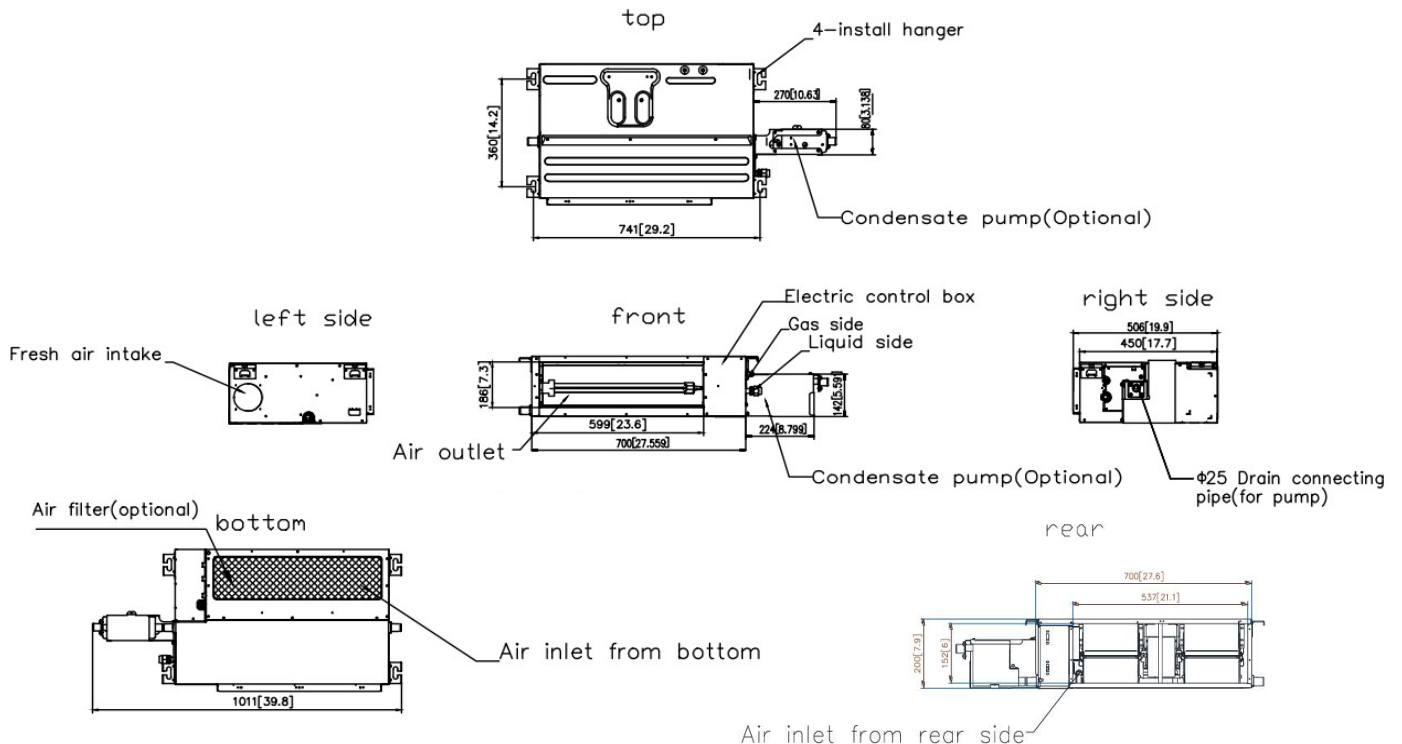
KEY FEATURES	
Rotary Inverter Compressor	<input checked="" type="checkbox"/>
Twin Rotary Inverter Compressor	<input type="checkbox"/>
Base Pan Heater	<input checked="" type="checkbox"/>
Crankcase Heater	<input checked="" type="checkbox"/>

INCLUDED ACCESSORIES	
KJR-120L(R1)/EFU1 - Wired Controller	

FAN				
Indoor	Turbo	High	Med.	Low
CFM		352	282	176
dB(A)		33	30.5	27
Indoor ESP Range inWG				0-0.32
Indoor Moisture Removal (l/h)				1.03
Outdoor Max. CFM				1324
Outdoor Max. dB(A)				55

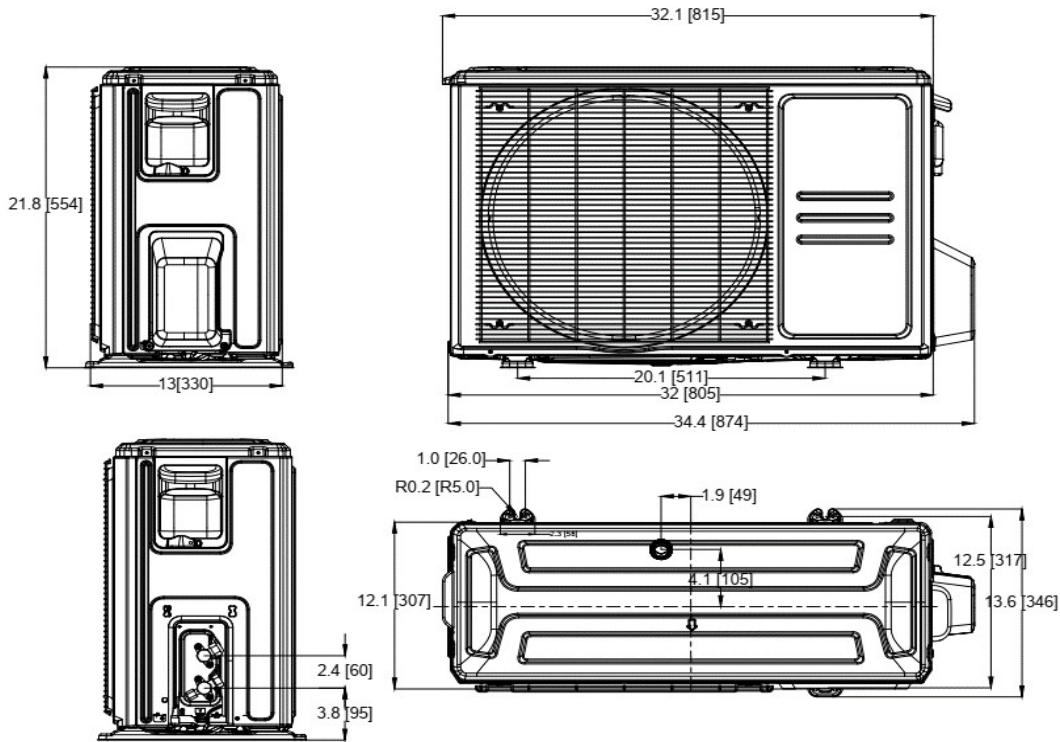
OPTIONAL ACCESSORIES ⁴	
WF-60A1-F - Smart Port	<input type="checkbox"/>
KJR-120N(X6)/BGEF - Wired Controller	<input type="checkbox"/>
KJR-120N(X6W)/BGEF - Wired Controller	<input type="checkbox"/>
24VINTERFACEKITUNIVERSAL	<input type="checkbox"/>
	<input type="checkbox"/>
	<input type="checkbox"/>
	<input type="checkbox"/>
	<input type="checkbox"/>
	<input type="checkbox"/>
	<input type="checkbox"/>

INDOOR UNIT DRAWING

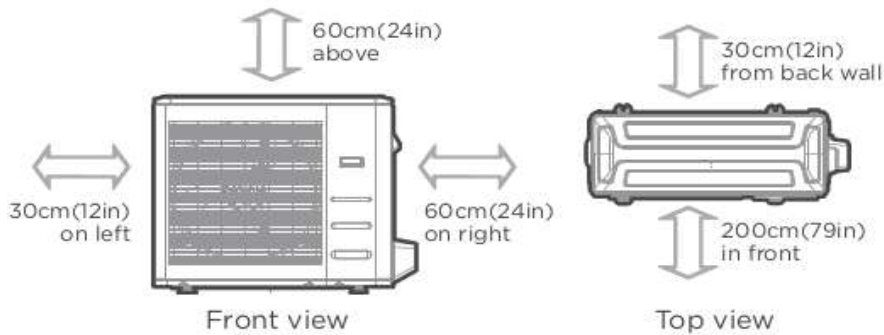


Drawing dimensions are nominal. Specifications subject to change without notice. 4. Connection of these accessories may require secondary items not listed; refer to full product literature.

OUTDOOR UNIT DRAWING



OUTDOOR UNIT CLEARANCES



Note: Outdoor units must be elevated 12-24in. (30.5-61cm) above the surface below in heating applications to allow for snow clearance and defrost runoff. Follow local best-practices and guidelines.

Diagrams for reference only.

NOTES