

SUBMITTAL - 60,000BTU OUTDOOR UNIT - M20

Job Name: _____

Location: _____

Engineer: _____

Submitted By: _____

Submitted To: _____

Submitted For: _____ **Approval**

Reference **Construction**

Date: _____

Unit Tag: _____

Drawing No.: _____

WARRANTY

Standard 10 Years Parts & Compressor

Terms & Conditions Apply.

TYPE

Air Source Heat Pump

Cold Climate Air Source Heat Pump

MODELS

Indoor ¹	Undetermined
Outdoor	DMA60HOS20230E7

CAPACITY RANGE^{1, 2}

Output (Btu/h)	Min.	Rated	Max.
Cooling	13400	53000	54000
Heating	10800	55000	60000

HEATING PERFORMANCE^{1, 3}

Output (Btu/h)	Min.	Rated	Max.
47°F (8.3°C)	10800	55000	60000
17°F (-8.3°C)	11000	37000	38000
5°F (-15°C)	9000	46500	46500
-22°F (-30°C)	8000		30000

OUTDOOR TEMPERATURE OPERATING RANGE

Cooling	-15 ~ 50 °C	5 ~ 122 °F
Heating ⁴	-30 ~ 24 °C	-22 ~ 75 °F

LINE SET & REFRIGERANT

Liquid (in.)	3/8"	Gas (in.)	7/8"
Connection Type	Flared		
Pre-Charge Length (ft)	25		
Max. Length (ft)	213.25		
Max. Height Difference (ft)	98.42		
Refrigerant Type	R410A		
Pre-Charge (oz)	169.31		
Additional Charge per Foot (oz)	0.69		
Oil Type	VG75	Oil Volume (ml)	1300



Images for reference only.

CERTIFIED

AHRI NO.	
Not Applicable	

EFFICIENCY RATINGS¹

SEER2	14.5			
EER2	8.6			
HSPF2 (4)	8.6			
HSPF2 (5)	7.1			
COP ³	47°F (8.3°C)	17°F (-8.3°C)	5°F (-15°C)	-22°F (-30°C)
	3.08	2.26	1.8	1.39

ELECTRICAL¹

Power Supply	(V/Ph/Hz)	208-230/1/60		
Voltage Range	(V)	187-253		
MCA (A)	40	Max Fuse (ODU) (A)	50	
Power Input (W)	Min.	Rated	Max.	
	Cooling	870	6162	6100
Heating	840	5373	6380	
Current (A)	Min.	Rated	Max.	
	Cooling	3.78	26.8	26.52
Heating	3.65	24.6	27.7	

1. All data related to capacity, performance, efficiency, and electrical power input and current draw is based on the listed outdoor unit in combination with a Moovair product. This data is not to be taken as a representation or guarantee of capacity, performance, efficiency, or electrical power input and current draw when the listed outdoor unit is combined with a 3rd party product. 2. Cooling Capacity Conditions: Indoor Temperature @ 80°F (26.7°C) DB; 67°F (19.4°C) WB with Outdoor Temperature @ 95°F (35°C) DB; 75°F (23.9°C) WB. Heating Capacity Conditions: Indoor Temperature @ 70°F (21.1°C) DB; 60°F (15.6°C) WB with Outdoor Temperature @ 47°F (8.3°C) DB; 43°F (6.1°C) WB. Line Set @ 25ft (7.5m); Height Difference @ 0ft (0m). 3. COP for all temperatures is @ rated output except when rated output is not given. In that case, COP is @ max. output. 4. System continues to operate below rated outdoor temperature operating range, subject to varying conditions. System has no low temperature cutout. Capacity is not tested outside of the rated temperature range. | Master Group is not responsible for the accuracy and validity of any changes made to this document without the written authorization of Master Group. Specifications subject to change without notice.

DIMENSIONS & WEIGHTS

Outdoor	Net (WxDxH; in.)	37.48x16.34x52.48	
	Gross (WxDxH; in.)	43.11x19.49x58.27	
	Net Weight lbs kg	239.86	108.8
	Gross Weight lbs kg	271.61	123.2

KEY FEATURES

Rotary Inverter Compressor	<input checked="" type="checkbox"/>
Twin Rotary Inverter Compressor	<input type="checkbox"/>
Base Pan Heater	<input checked="" type="checkbox"/>
Crankcase Heater	<input checked="" type="checkbox"/>

OUTDOOR UNIT DRAWING

FAN

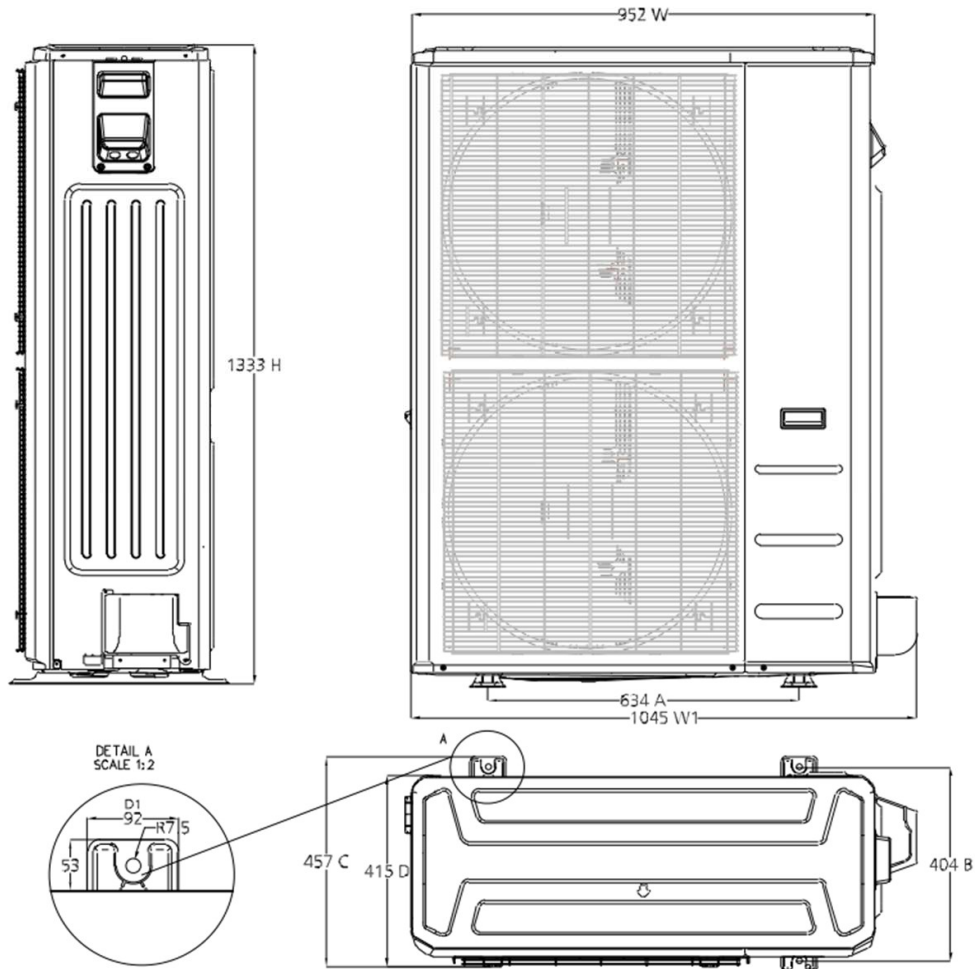
Outdoor Max. CFM	4500
Outdoor Max. dB(A)	62

OPTIONAL ACCESSORIES⁵

	<input type="checkbox"/>
	<input type="checkbox"/>

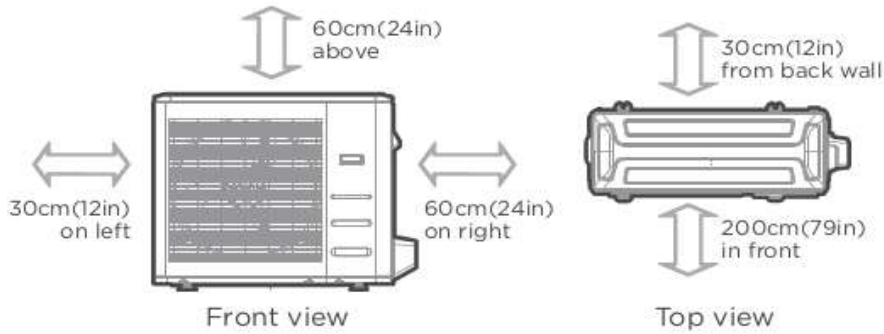
INCLUDED ACCESSORIES

- Adaptor for welding(3/8")
- Adaptor for welding(7/8")



Drawing dimensions are nominal. Specifications subject to change without notice. 5. Connection of these accessories may require secondary items not listed; refer to full product literature.

OUTDOOR UNIT CLEARANCES



Note: Outdoor units must be elevated 12-24in. (30.5-61cm) above the surface below in heating applications to allow for snow clearance and defrost runoff. Follow local best-practices and guidelines.

Diagrams for reference only.

NOTES