

SUBMITTAL - 27,000BTU MULTI-ZONE ODU - M23

Job Name: _____
Location: _____
Engineer: _____
Submitted By: _____
Submitted To: _____

WARRANTY

Standard 10 Years Parts & Compressor

Terms & Conditions Apply.

TYPE

Air Source Heat Pump

Cold Climate Air Source Heat Pump

MODEL

Outdoor DMA27HOM23230X2

CAPACITY RANGE¹

Output (Btu/h)	Min.	Rated	Max.
Cooling	7200	28000	30000
Heating	8400	28000	34000

HEATING PERFORMANCE²

Output (Btu/h)	Min.	Rated	Max.
47°F (8.3°C)	8400	28000	34000
17°F (-8.3°C)	6000	21000	22600
5°F (-15°C)	5400	18800	20000
-13°F (-25°C)		10000	10000

OUTDOOR TEMPERATURE OPERATING RANGE

Cooling	-15~50 °C	5~122 °F
Heating ³	-25~24 °C	-13~75 °F

ELECTRICAL

Power Supply	(V/Ph/Hz)	208-230/1/60		
Voltage Range	(V)	187-253		
MCA (A)	25.4	Max. Fuse (ODU) (A)	30	
Power Input (W)		Non-Duct	Mixed	Ducted
Cooling (Rated)		2240	2320	2400
Cooling (Max.)		3246	3071	2897
Heating (Rated)		2200	2222	2245
Heating (Max.)		3120	2900	2681
Current (A)		Non-Duct	Mixed	Ducted
Cooling (Rated)		11	11.25	11.5
Heating (Rated)		10.5	10.5	10.5

1. Cooling Capacity Conditions: Indoor Temperature @ 80°F (26.7°C) DB; 67°F (19.4°C) WB with Outdoor Temperature @ 95°F (35°C) DB; 75°F (23.9°C) WB. Heating Capacity Conditions: Indoor Temperature @ 70°F (21.1°C) DB; 60°F (15.6°C) WB with Outdoor Temperature @ 47°F (8.3°C) DB; 43°F (6.1°C) WB. Line Set @ 25ft (7.5m); Height Difference @ 0ft (0m). 2. COP for all temperatures is @ rated output except when rated output is not given. In that case, COP is @ max. output. Heating performance varies subject to specific indoor unit combination. 3. System continues to operate below rated outdoor temperature operating range, subject to varying conditions. System has no low temperature cutout. Capacity is not tested outside of the rated temperature range. | Master Group is not responsible for the accuracy and validity of any changes made to this document without the written authorization of Master Group. Specifications subject to change without notice.

Submitted For: _____ **Approval**
Reference **Construction**
Date: _____
Unit Tag: _____
Drawing No.: _____



Images for reference only.



CERTIFIED

Non-Duct AHRI No.:	207742532	<input checked="" type="checkbox"/>
Mixed AHRI No.:	207742534	<input checked="" type="checkbox"/>
Ducted AHRI No.:	207742533	<input checked="" type="checkbox"/>



EFFICIENCY RATINGS

IDU Type	SEER2	EER2	HSPF2 (4)	HSPF2 (5)
Non-Duct	24.6	12.7	9.5	7.1
Mixed	22.8	12.2	9.35	7.05
Ducted	21	11.7	9.2	7
COP ²	47°F (8.3°C)	17°F (-8.3°C)	5°F (-15°C)	-13°F (-25°C)
Non-Duct	3.73	2.5	2	1.3
Mixed	3.7	2.55	2	1.3
Ducted	3.66	2.6	2	1.3

LINE SET & REFRIGERANT

Liquid (in.)	3x1/4"	Connection Type	
Gas (in.)	3x3/8"	Flare	
Max. Length (Total) (ft)	196.8		
Max. Length (Each) (ft)	98.4		
Max. Height Difference (ODU to IDU) (ft)	49.2		
Max. Height Difference (IDU to IDU) (ft)	33		
Pre-Charge Length (ft x Quantity Example)	25x3		
Ref. Type	R410A	Pre-Charge (oz)	91.71
Oil Type	VG74	Oil Volume (ml)	620

DIMENSIONS & WEIGHTS

Outdoor	Net (WxDxH; in.)	37.24x16.14x31.89	
	Gross (WxDxH; in.)	42.91x19.69x34.84	
	Net Weight lbs kg	139.77	63.4
	Gross Weight lbs kg	150.57	68.3

KEY FEATURES

Rotary Inverter Compressor	<input type="checkbox"/>
Twin Rotary Inverter Compressor	<input checked="" type="checkbox"/>
Base Pan Heater	<input checked="" type="checkbox"/>
Crankcase Heater	<input checked="" type="checkbox"/>

INCLUDED ACCESSORIES

3/8" to 1/2" Adaptor

OUTDOOR UNIT DRAWING

FAN

Outdoor Max. CFM	2129
Outdoor Max. dB(A)	60

SYSTEM PAIRINGS

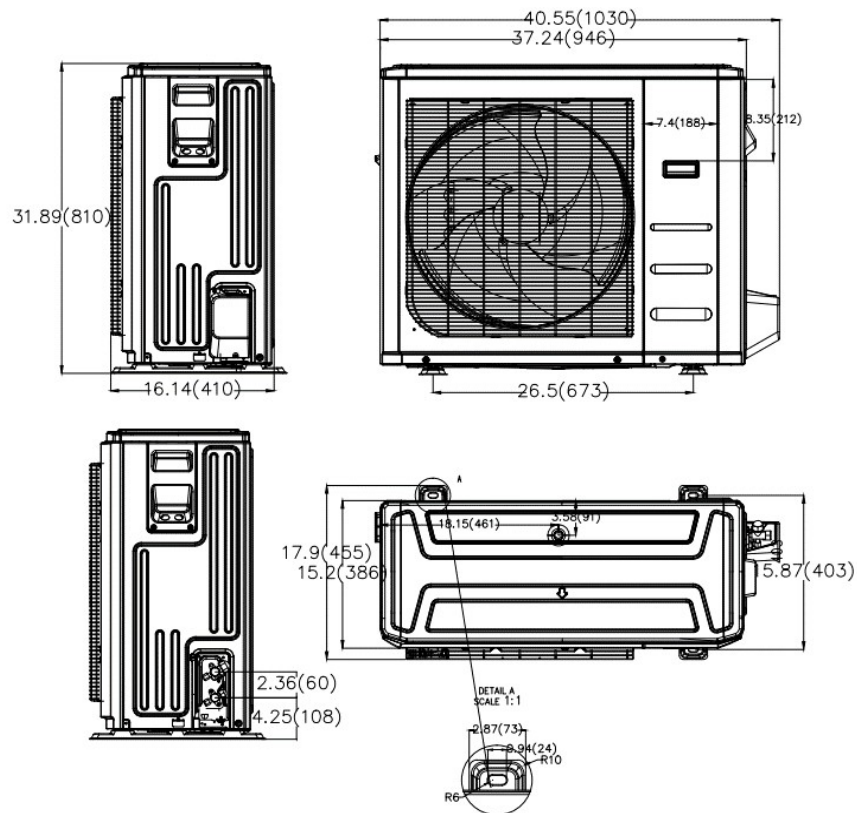
Number of Indoor Units	2-3
Nominal Connection Range (Mbtu/h) ⁴	18-36

Indoor Unit Types

- DMAXxHIW25230E8 (Wall-Mount)
- DUAXxHIDU230X5 (Horizontal Ducted)
- DUAXxHICU230X5 (Ceiling Cassette)
- DUB12HIFU230X5A (Floor Console)

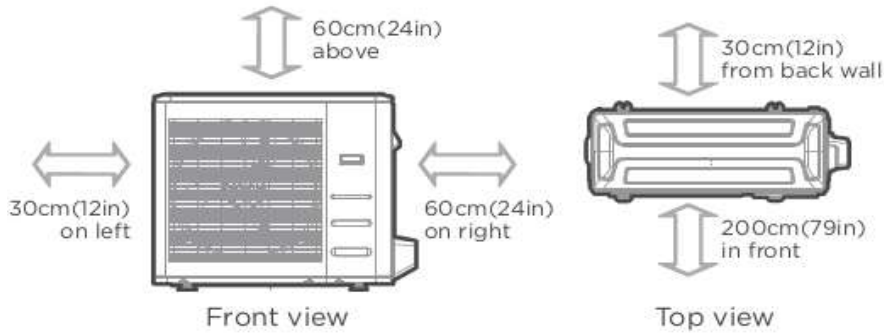
OPTIONAL ACCESSORIES⁵

<input type="checkbox"/>
<input type="checkbox"/>
<input type="checkbox"/>
<input type="checkbox"/>
<input type="checkbox"/>



Drawing dimensions are nominal. 4. It is not recommended to exceed 125% connected capacity. Maximum output of the system is dictated by the outdoor unit; connected capacities beyond maximum output of outdoor unit will not result in increased system output. Refer to full product literature for allowable combinations of units. 5. Connection of these accessories may require secondary items not listed; refer to full product literature. | Specifications subject to change without notice.

OUTDOOR UNIT CLEARANCES



Note: Outdoor units must be elevated 12-24in. (30.5-61cm) above the surface below in heating applications to allow for snow clearance and defrost runoff. Follow local best-practices and guidelines.

Diagrams for reference only.

NOTES