

SUBMITTAL - 18,000BTU MULTI-ZONE ODU - M25

Job Name: _____
Location: _____
Engineer: _____
Submitted By: _____
Submitted To: _____

Submitted For: _____ **Approval**
Reference **Construction**
Date: _____
Unit Tag: _____
Drawing No.: _____

WARRANTY

Standard 10 Years Parts & Compressor

Terms & Conditions Apply.

TYPE

Air Source Heat Pump

Cold Climate Air Source Heat Pump

MODEL

Outdoor DMA18HOM25230X3

CAPACITY RANGE¹

Output (Btu/h)	Min.	Rated	Max.
Cooling	5400	19000	22000
Heating	5700	20000	24000

HEATING PERFORMANCE²

Output (Btu/h)	Min.	Rated	Max.
47°F (8.3°C)	5700	20000	24000
17°F (-8.3°C)	3800	15000	19000
5°F (-15°C)	3500	19700	20000
-13°F (-25°C)		8500	8500

OUTDOOR TEMPERATURE OPERATING RANGE

Cooling	-15~50 °C	5~122 °F
Heating ³	-30~24 °C	-22~75 °F

ELECTRICAL

Power Supply	(V/Ph/Hz)	208-230/1/60	
Voltage Range	(V)	187-253	
MCA (A)	20	Max. Fuse (ODU) (A)	25
Power Input (W)	Non-Duct	Mixed	Ducted
Cooling (Rated)	1520	1550	1580
Cooling (Max.)	2200	2250	2300
Heating (Rated)	1725	1665	1600
Heating (Max.)	2700	2750	2800
Current (A)	Non-Duct	Mixed	Ducted
Cooling (Rated)	9.1	9.7	10.3
Heating (Rated)	9.4	9.2	9



Images for reference only.



CERTIFIED

Non-Duct AHRI No.:	207742541	<input checked="" type="checkbox"/>
Mixed AHRI No.:	207742543	<input checked="" type="checkbox"/>
Ducted AHRI No.:	207742542	<input checked="" type="checkbox"/>



EFFICIENCY RATINGS

IDU Type	SEER2	EER2	HSPF2 (4)	HSPF2 (5)
Non-Duct	22	12.5	9.8	7.7
Mixed	20.5	12.25	9.55	7.6
Ducted	19	12	9.3	7.5
COP ²	47°F (8.3°C)	17°F (-8.3°C)	5°F (-15°C)	-13°F (-25°C)
Non-Duct	3.41	2.5	1.9	1.2
Mixed	3.53	2.55	1.88	1.15
Ducted	3.66	2.61	1.85	1.1

LINE SET & REFRIGERANT

Liquid (in.)	2x1/4"	Connection Type
Gas (in.)	2x3/8"	Flare
Max. Length (Total) (ft)	131.2	
Max. Length (Each) (ft)	82	
Max. Height Difference (ODU to IDU) (ft)	49.2	
Max. Height Difference (IDU to IDU) (ft)	33	
Pre-Charge Length (ft x Quantity Example)	25x2	
Ref. Type	R410A	Pre-Charge (oz)
Oil Type	VG74	Oil Volume (ml)
		620

1. Cooling Capacity Conditions: Indoor Temperature @ 80°F (26.7°C) DB; 67°F (19.4°C) WB with Outdoor Temperature @ 95°F (35°C) DB; 75°F (23.9°C) WB. Heating Capacity Conditions: Indoor Temperature @ 70°F (21.1°C) DB; 60°F (15.6°C) WB with Outdoor Temperature @ 47°F (8.3°C) DB; 43°F (6.1°C) WB. Line Set @ 25ft (7.5m); Height Difference @ 0ft (0m). 2. COP for all temperatures is @ rated output except when rated output is not given. In that case, COP is @ max. output. Heating performance varies subject to specific indoor unit combination. 3. System continues to operate below rated outdoor temperature operating range, subject to varying conditions. System has no low temperature cutout. Capacity is not tested outside of the rated temperature range. | Master Group is not responsible for the accuracy and validity of any changes made to this document without the written authorization of Master Group. Specifications subject to change without notice.

DIMENSIONS & WEIGHTS

Outdoor	Net (WxDxH; in.)	37.24x16.14x31.89	
	Gross (WxDxH; in.)	42.91x19.69x34.84	
	Net Weight lbs kg	138.23	62.7
	Gross Weight lbs kg	149.03	67.6

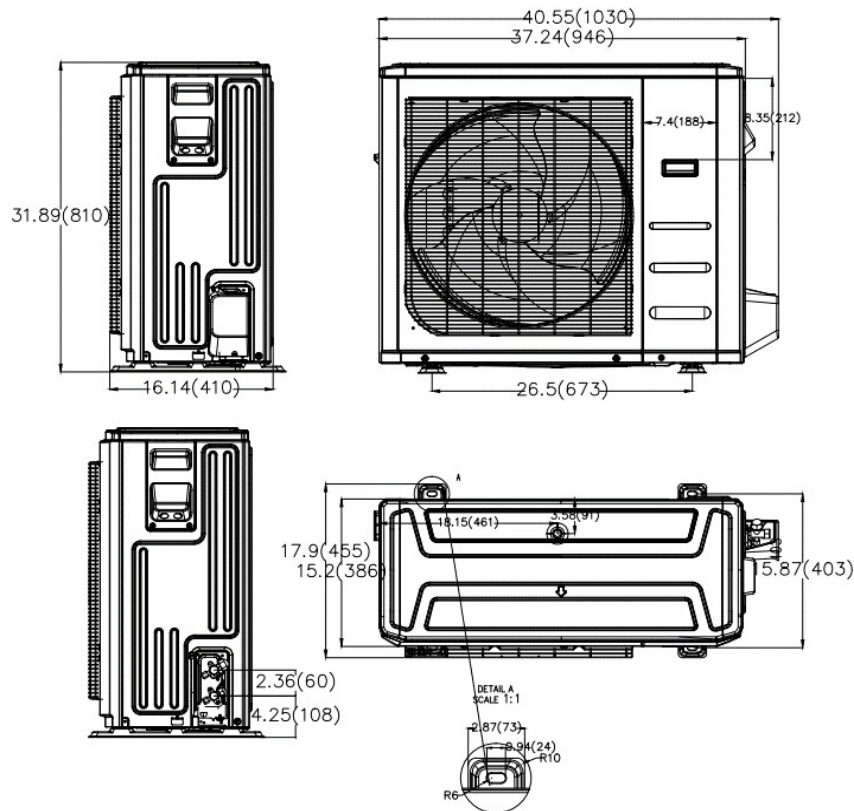
KEY FEATURES

Rotary Inverter Compressor	<input type="checkbox"/>
Twin Rotary Inverter Compressor	<input checked="" type="checkbox"/>
Base Pan Heater	<input checked="" type="checkbox"/>
Crankcase Heater	<input checked="" type="checkbox"/>

INCLUDED ACCESSORIES

3/8" to 1/2" Adaptor

OUTDOOR UNIT DRAWING



Drawing dimensions are nominal. 4. It is not recommended to exceed 125% connected capacity. Maximum output of the system is dictated by the outdoor unit; connected capacities beyond maximum output of outdoor unit will not result in increased system output. Refer to full product literature for allowable combinations of units. 5. Connection of these accessories may require secondary items not listed; refer to full product literature. | Specifications subject to change without notice.

FAN

Outdoor Max. CFM	2129
Outdoor Max. dB(A)	61

SYSTEM PAIRINGS

Number of Indoor Units	2
Nominal Connection Range (Mbtu/h) ⁴	12-24

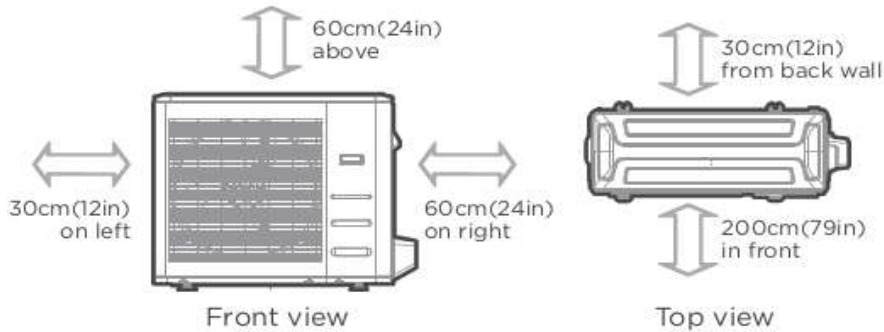
Indoor Unit Types

- DMAxxHIW25230E8 (Wall-Mount)
- DUAxxHIDU230X5 (Horizontal Ducted)
- DUAxxHICU230X5 (Ceiling Cassette)
- DUB12HIFU230X5A (Floor Console)

OPTIONAL ACCESSORIES⁵

	<input type="checkbox"/>
	<input type="checkbox"/>
	<input type="checkbox"/>
	<input type="checkbox"/>
	<input type="checkbox"/>

OUTDOOR UNIT CLEARANCES



Note: Outdoor units must be elevated 12-24in. (30.5-61cm) above the surface below in heating applications to allow for snow clearance and defrost runoff. Follow local best-practices and guidelines.

Diagrams for reference only.

NOTES