

SUBMITTAL - 24,000BTU DUCTED

Job Name: _____

Location: _____

Engineer: _____

Submitted By: _____

Submitted To: _____

Submitted For: _____

Reference **Approval**

Date: _____

Unit Tag: _____

Drawing No.: _____

WARRANTY		
Standard 10 Years Parts & Compressor		
<small>When combined with Moovair outdoor unit. Terms & Conditions Apply.</small>		
MODELS		
Indoor	DUA24HIDU230X5	
CAPACITY		
Cooling (Nominal Btu/h)	24000	
Heating (Nominal Btu/h)	24000	
LINE SET & REFRIGERANT		
Liquid (in.)	3/8"	
Gas (in.)	5/8"	
Connection Type	Flared	
Refrigerant Type	R410A	
Drain Pipe O.D. (mm)	25	
DIMENSIONS & WEIGHTS		
Indoor	Net (WxDxH; in.)	43.31x30.47x9.80
	Gross (WxDxH; in.)	51.38x31.69x12.40
	Net Weight lbs kg	90.39 41
	Gross Weight lbs kg	105.82 48
INCLUDED ACCESSORIES		
KJR-120L(R1)/EFU1 - Wired Controller		



Images for reference only.

CERTIFIED¹



www.ahridirectory.org



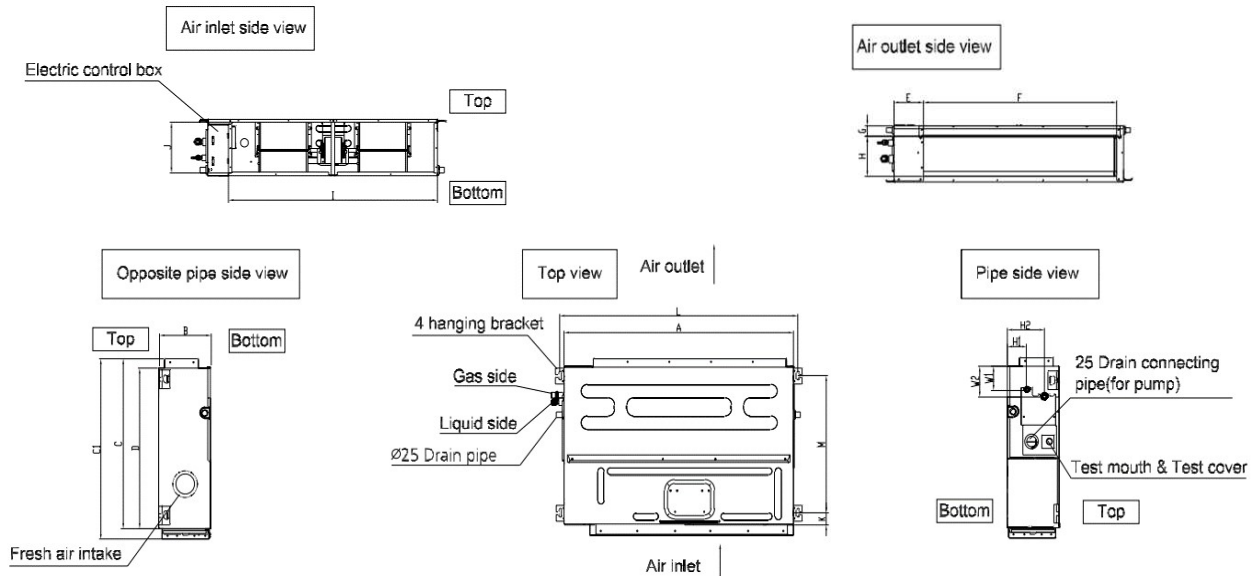


1. When combined with certified Moovair outdoor unit.

ELECTRICAL				
Power (From ODU)	(V/Ph/Hz)	208-230/1/60		
Voltage Range	(V)	187-253		
Power Input (W)				
Current (A)				
FAN ²				
Indoor	Turbo	High	Med.	Low
CFM		775	693	434
dB(A)		44	40	35.5
Indoor ESP Range inWG	0-0.64			
Indoor Moisture Removal (l/h)	1.59			
OPTIONAL ACCESSORIES ³				
WF-60A1-F - Smart Port	<input type="checkbox"/>			
KJR-120N(X6)/BGEF - Wired Controller	<input type="checkbox"/>			
KJR-120N(X6W)/BGEF - Wired Controller	<input type="checkbox"/>			
24VINTERFACEKITUNIVERSAL	<input type="checkbox"/>			
	<input type="checkbox"/>			
	<input type="checkbox"/>			
	<input type="checkbox"/>			
	<input type="checkbox"/>			
	<input type="checkbox"/>			
	<input type="checkbox"/>			
	<input type="checkbox"/>			

2. Performance may vary depending on system design. 3. Connection of these accessories may require secondary items not listed; refer to full product literature. | Master Group is not responsible for the accuracy and validity of any changes made to this document without the written authorization of Master Group. Specifications subject to change without notice.

INDOOR UNIT DRAWING



Tag	A	B	C	C1	D	E	F	G	H
inches	43.3	9.8	28.9	30.5	27.6	5.5	36.5	2	6.9
mm	1100	249	734	774	700	140	926	50	175
Tag	I	J	K	L	M	H1	H2	W1	W2
inches	39.4	9	2	44.9	23.5	3.1	5.9	5.1	6.1
mm	1001	228	50	1140	598	80	150	130	155

NOTES