

SUBMITTAL - 12,000BTU CEILING CASSETTE

Job Name: _____
Location: _____
Engineer: _____
Submitted By: _____
Submitted To: _____

Submitted For: _____ **Approval**
Reference **Construction**
Date: _____
Unit Tag: _____
Drawing No.: _____



Images for reference only.

WARRANTY			
Standard 10 Years Parts & Compressor			
When combined with Moovair outdoor unit. Terms & Conditions Apply.			
MODELS			
Indoor	DUA12HICU230X5		
CAPACITY			
Cooling (Nominal Btu/h)	12000		
Heating (Nominal Btu/h)	12000		
LINE SET & REFRIGERANT			
Liquid (in.)	1/4"		
Gas (in.)	1/2"		
Connection Type	Flared		
Refrigerant Type	R410A		
Drain Pipe O.D. (mm)	25		
DIMENSIONS & WEIGHTS			
Indoor	Net (WxDxH; in.)	22.44x22.44x10.24	
	Gross (WxDxH; in.)	26.06x26.06x12.48	
	Net Weight lbs kg	35.27	16
	Gross Weight lbs kg	41.01	18.6
INCLUDED ACCESSORIES			
RG10B(D1)/BGEFU1 - Remote Controller			

2. Performance may vary depending on system design. 3. Connection of these accessories may require secondary items not listed; refer to full product literature. | Master Group is not responsible for the accuracy and validity of any changes made to this document without the written authorization of Master Group. Specifications subject to change without notice.

CERTIFIED¹

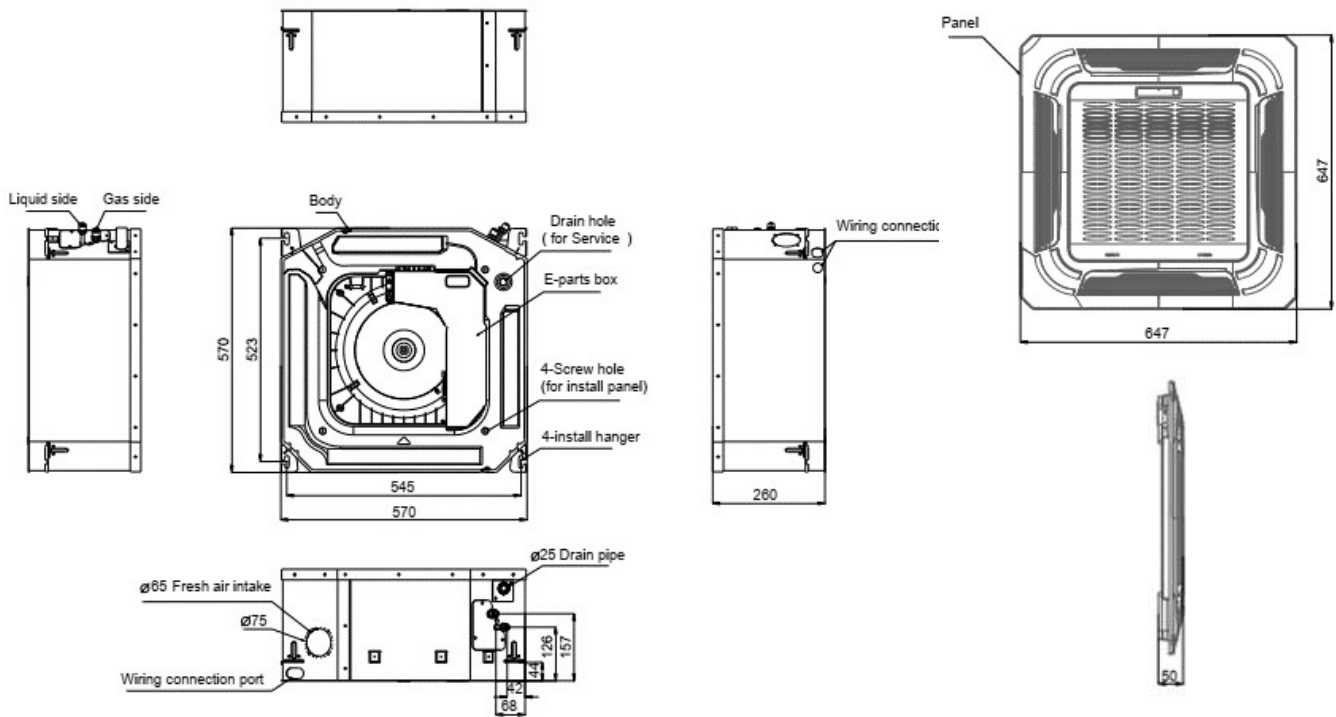




1. When combined with certified Moovair outdoor unit.

ELECTRICAL				
Power (From ODU)	(V/Ph/Hz)	208-230/1/60		
Voltage Range	(V)	187-253		
Power Input (W)				
Current (A)				
FAN ²				
Indoor	Turbo	High	Med.	Low
CFM		335	282	241
dB(A)		40.5	35.5	31.5
Indoor ESP Range inWG				
Indoor Moisture Removal (l/h)	1.69			
OPTIONAL ACCESSORIES ³				
CASSETTEGRILL918A - Required	<input type="checkbox"/>			
WF-60A1-F - Smart Port	<input type="checkbox"/>			
KJR-120L(R1)/EFU1 - Wired Controller	<input type="checkbox"/>			
KJR-120N(X6)/BGEF - Wired Controller	<input type="checkbox"/>			
KJR-120N(X6W)/BGEF - Wired Controller	<input type="checkbox"/>			
24VINTERFACEKITUNIVERSAL	<input type="checkbox"/>			
	<input type="checkbox"/>			
	<input type="checkbox"/>			
	<input type="checkbox"/>			
	<input type="checkbox"/>			

INDOOR UNIT DRAWING



Tag									
inches									
mm									
Tag									
inches									
mm									

NOTES