

## SUBMITTAL - 9,000BTU DUCTED

**Job Name:** \_\_\_\_\_

**Location:** \_\_\_\_\_

**Engineer:** \_\_\_\_\_

**Submitted By:** \_\_\_\_\_

**Submitted To:** \_\_\_\_\_

**Submitted For:** \_\_\_\_\_

**Reference**  **Approval**

**Date:** \_\_\_\_\_

**Unit Tag:** \_\_\_\_\_

**Drawing No.:** \_\_\_\_\_

**Construction**

### WARRANTY

Standard 10 Years Parts & Compressor

When combined with Moovair outdoor unit. Terms & Conditions Apply.

### MODELS

Indoor DUA09HIDU230X5

### CAPACITY

Cooling (Nominal Btu/h)	9000
Heating (Nominal Btu/h)	9000

### LINE SET & REFRIGERANT

Liquid (in.)	1/4"
Gas (in.)	3/8"
Connection Type	Flared
Refrigerant Type	R410A
Drain Pipe O.D. (mm)	25

### DIMENSIONS & WEIGHTS

Indoor	Net (WxDxH; in.)	27.56x19.92x7.87	
	Gross (WxDxH; in.)	33.86x21.26x11.22	
	Net Weight lbs   kg	39.02	17.7
	Gross Weight lbs   kg	48.28	21.9

### INCLUDED ACCESSORIES

KJR-120L(R1)/EFU1 - Wired Controller

2. Performance may vary depending on system design. 3. Connection of these accessories may require secondary items not listed; refer to full product literature. | Master Group is not responsible for the accuracy and validity of any changes made to this document without the written authorization of Master Group. Specifications subject to change without notice.



Images for reference only.

### CERTIFIED<sup>1</sup>



1. When combined with certified Moovair outdoor unit.

### ELECTRICAL

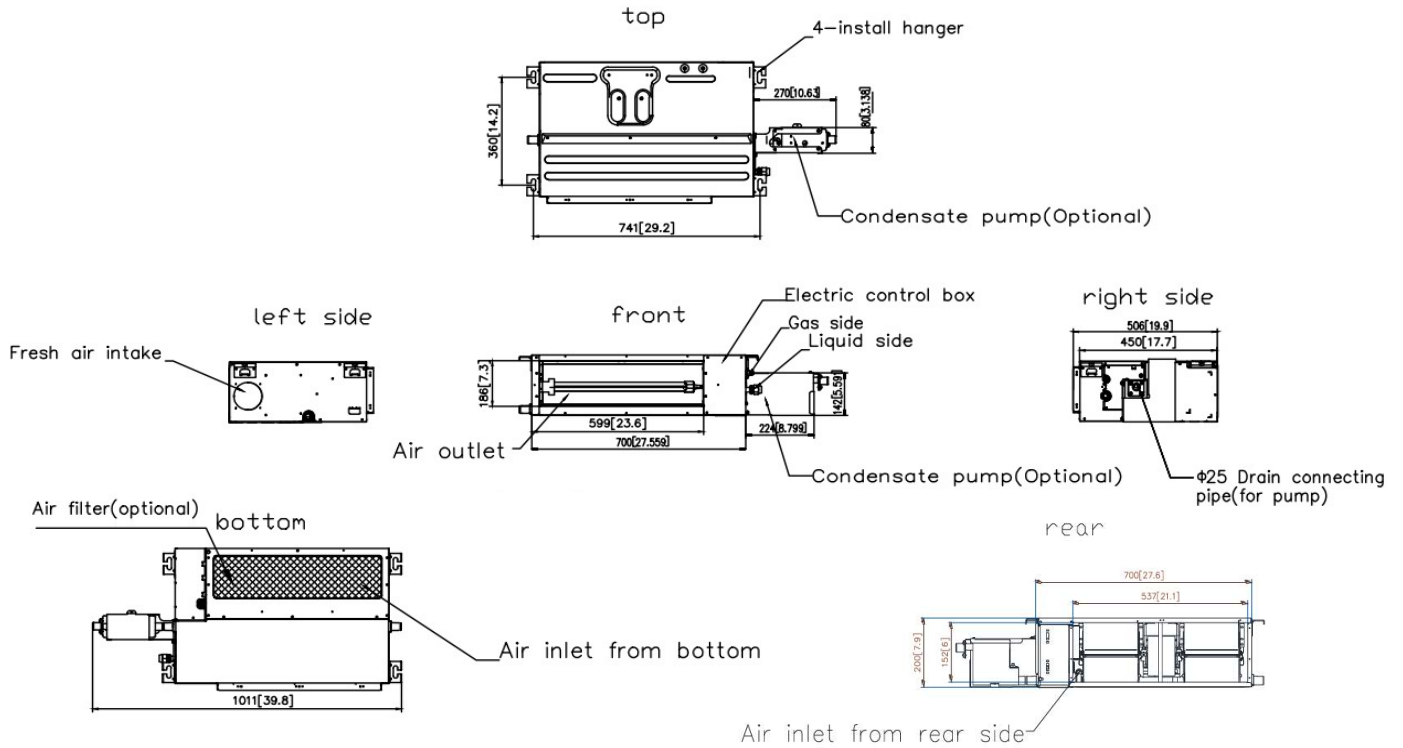
Power (From ODU)	(V/Ph/Hz)	208-230/1/60
Voltage Range	(V)	187-253
Power Input (W)		
Current (A)		

FAN <sup>2</sup>				
Indoor	Turbo	High	Med.	Low
CFM		352	282	176
dB(A)		33	30.5	27
Indoor ESP Range inWG				0-0.32
Indoor Moisture Removal (l/h)				1.03

### OPTIONAL ACCESSORIES<sup>3</sup>

WF-60A1-F - Smart Port	<input type="checkbox"/>
KJR-120N(X6)/BGEF - Wired Controller	<input type="checkbox"/>
KJR-120N(X6W)/BGEF - Wired Controller	<input type="checkbox"/>
24VINTERFACEKITUNIVERSAL	<input type="checkbox"/>
	<input type="checkbox"/>
	<input type="checkbox"/>
	<input type="checkbox"/>
	<input type="checkbox"/>
	<input type="checkbox"/>
	<input type="checkbox"/>

**INDOOR UNIT DRAWING**



**NOTES**