

SUBMITTAL - 9,000BTU CEILING CASSETTE

Job Name: _____

Location: _____

Engineer: _____

Submitted By: _____

Submitted To: _____

Submitted For: _____

Reference **Approval**

Date: _____

Unit Tag: _____

Drawing No.: _____

WARRANTY

Standard 10 Years Parts & Compressor
 When combined with Moovair outdoor unit. Terms & Conditions Apply.

MODELS

Indoor DUA09HICU230X5

CAPACITY

Cooling (Nominal Btu/h)	9000
Heating (Nominal Btu/h)	9000

LINE SET & REFRIGERANT

Liquid (in.)	1/4"
Gas (in.)	3/8"
Connection Type	Flared
Refrigerant Type	R410A
Drain Pipe O.D. (mm)	25

DIMENSIONS & WEIGHTS

Indoor	Net (WxDxH; in.)	22.44x22.44x10.24	
	Gross (WxDxH; in.)	26.06x26.06x12.48	
	Net Weight lbs kg	31.97	14.5
	Gross Weight lbs kg	38.14	17.3

INCLUDED ACCESSORIES

RG10B(D1)/BGEFU1 - Remote Controller	

2. Performance may vary depending on system design. 3. Connection of these accessories may require secondary items not listed; refer to full product literature. | Master Group is not responsible for the accuracy and validity of any changes made to this document without the written authorization of Master Group. Specifications subject to change without notice.



Images for reference only.

CERTIFIED¹



1. When combined with certified Moovair outdoor unit.

ELECTRICAL

Power (From ODU)	(V/Ph/Hz)	208-230/1/60
Voltage Range	(V)	187-253
Power Input (W)		
Current (A)		

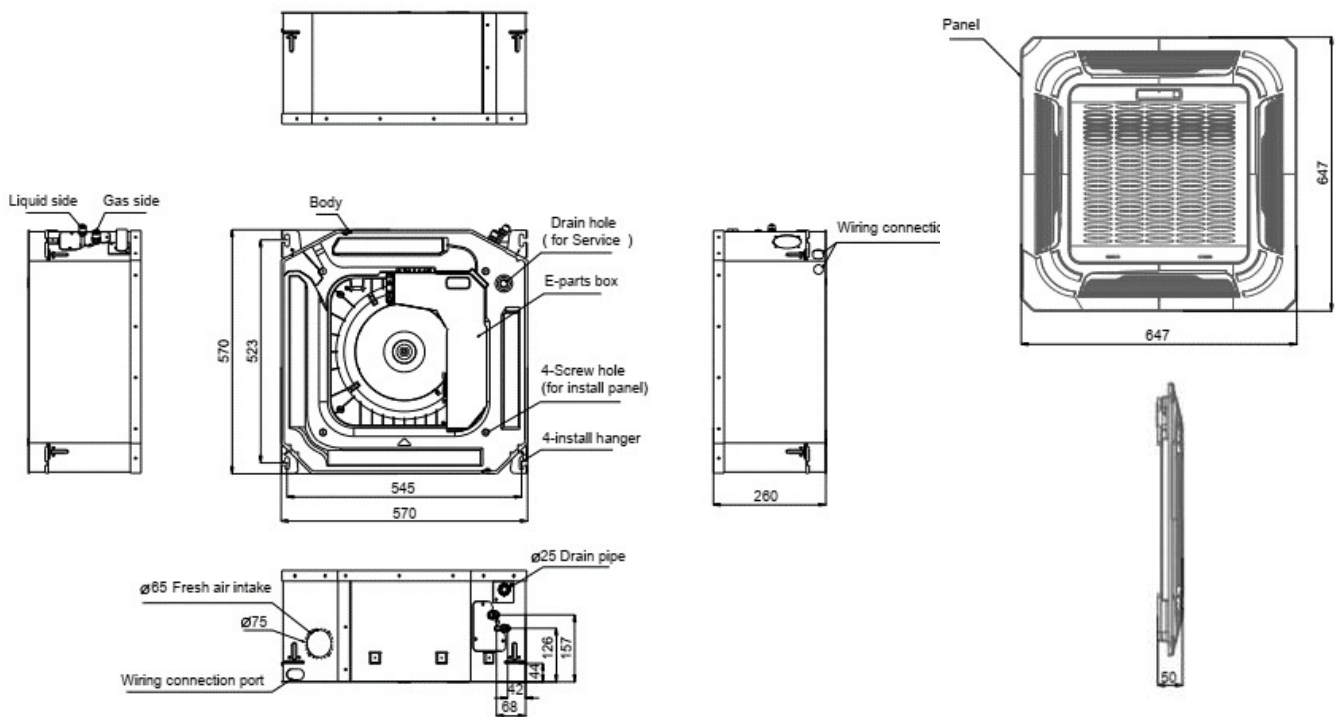
FAN²

Indoor	Turbo	High	Med.	Low
CFM		352	305	270
dB(A)		39.5	36	32.5
Indoor ESP Range inWG				
Indoor Moisture Removal (l/h)				1.03

OPTIONAL ACCESSORIES³

CASSETTEGRILL918A - Required	<input type="checkbox"/>
WF-60A1-F - Smart Port	<input type="checkbox"/>
KJR-120L(R1)/EFU1 - Wired Controller	<input type="checkbox"/>
KJR-120N(X6)/BGEF - Wired Controller	<input type="checkbox"/>
KJR-120N(X6W)/BGEF - Wired Controller	<input type="checkbox"/>
24VINTERFACEKITUNIVERSAL	<input type="checkbox"/>
	<input type="checkbox"/>
	<input type="checkbox"/>
	<input type="checkbox"/>
	<input type="checkbox"/>

INDOOR UNIT DRAWING



Tag									
inches									
mm									
Tag									
inches									
mm									

NOTES