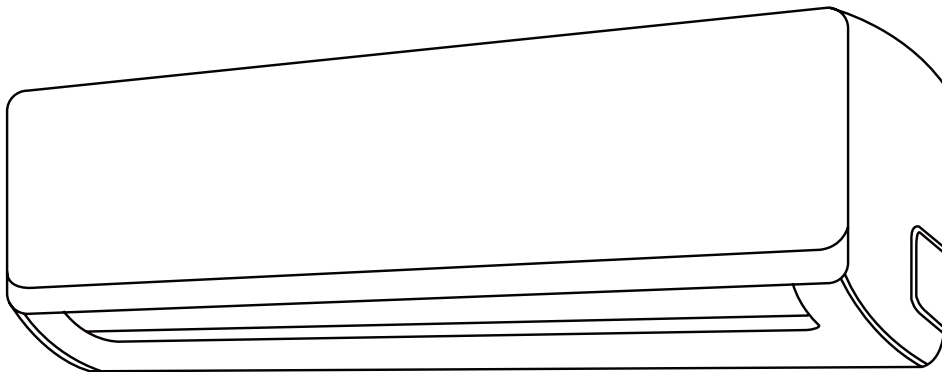




SPLIT-TYPE ROOM AIR CONDITIONER

Installation Manual

All Model Numbers



IMPORTANT NOTE:

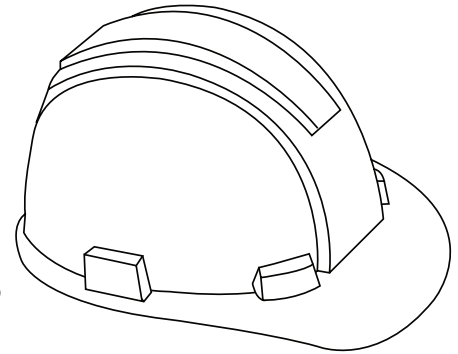
Read this manual carefully before installing or operating your new air conditioning unit. Make sure to save this manual for future reference.



Table of Contents

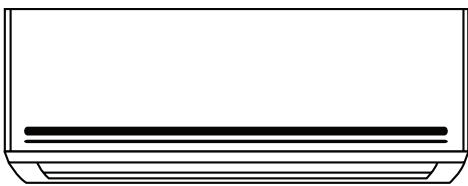
Installation Manual

0	Safety Precautions.....	4
1	Accessories.....	6
2	Installation Summary - Indoor Unit.....	8
3	Unit Parts.....	10



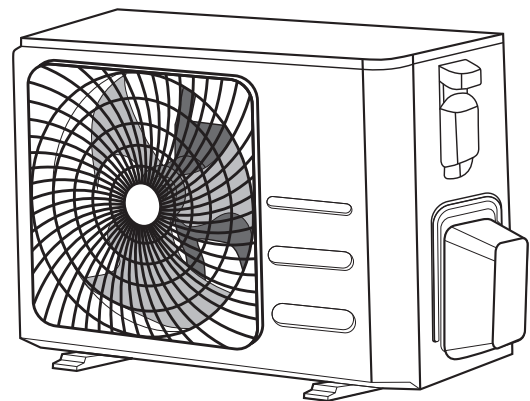
4 Indoor Unit Installation..... **11**

1. Select installation location.....11
2. Attach mounting plate to wall.....12
3. Drill wall hole for connective piping.....12
4. Prepare refrigerant piping.....14
5. Connect drain hose.....15
6. Connect signal cable.....17
7. Wrap piping and cables.....18
8. Mount indoor unit..... 18



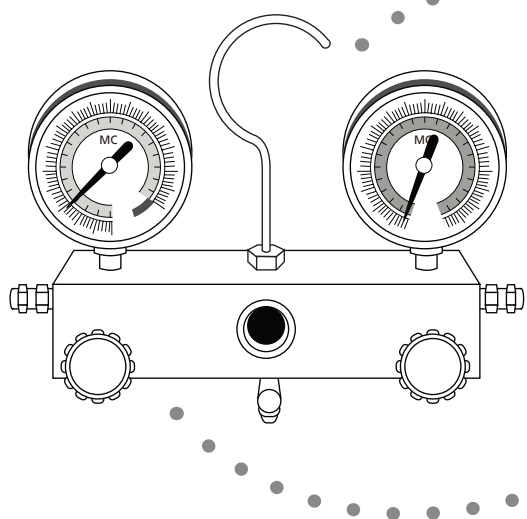
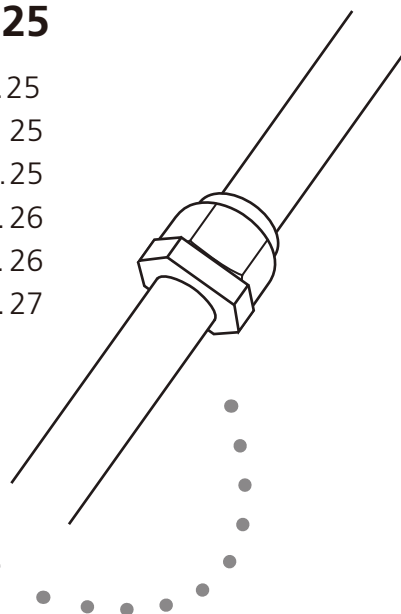
5 Outdoor Unit Installation... **20**

1. Select installation location.....20
2. Install drain joint..... 21
3. Anchor outdoor unit.....22
4. Connect signal and power cables.....23



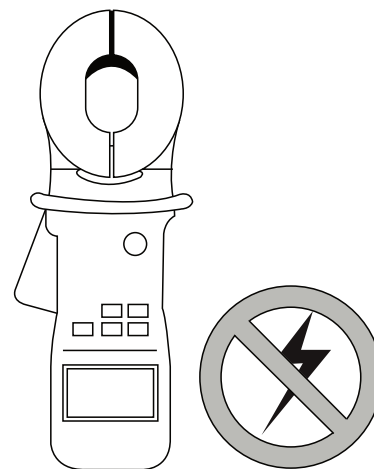
6 Refrigerant Piping Connection..... 25

- A. Note on Pipe Length..... 25
- B. Connection Instructions –Refrigerant Piping..... 25
 - 1. Cut pipe..... 25
 - 2. Remove burrs..... 26
 - 3. Flare pipe ends..... 26
 - 4. Connect pipes..... 27



7 Air Evacuation..... 29

- 1. Evacuation Instructions..... 29
- 2. Note on Adding Refrigerant..... 30



8 Electrical and Gas Leak Checks..... 31

9 Test Run..... 32

Safety Precautions

Read Safety Precautions Before Installation

Incorrect installation due to ignoring instructions can cause serious damage or injury.

The seriousness of potential damage or injuries is classified as either a **WARNING** or **CAUTION**.



WARNING

This symbol indicates that ignoring instructions may cause death or serious injury.



CAUTION

This symbol indicates that ignoring instructions may cause moderate injury to your person, or damage to your unit or other property.



This symbol indicates that you must never perform the action indicated.



WARNING

- ⊘ **Do not** modify the length of the power supply cord or use an extension cord to power the unit. **Do not** share the electrical outlet with other appliances. Improper or insufficient power supply can cause fire or electrical shock.
- ⊘ When connecting refrigerant piping, **do not** let substances or gases other than the specified refrigerant enter the unit. The presence of other gases or substances will lower the unit's capacity, and can cause abnormally high pressure in the refrigeration cycle. This can cause explosion and injury.
- ⊘ **Do not** allow children to play with the air conditioner. Children must be supervised around the unit at all times.
 1. Installation must be performed by an authorized dealer or specialist. Defective installation can cause water leakage, electrical shock, or fire.
 2. Installation must be performed according to the installation instructions. Improper installation can cause water leakage, electrical shock, or fire.
(In North America, installation must be performed in accordance with the requirement of NEC and CEC by authorized personnel only.)
 3. Contact an authorized service technician for repair or maintenance of this unit.
 4. Only use the included accessories, parts, and specified parts for installation. Using non-standard parts can cause water leakage, electrical shock, fire, and can cause the unit to fail.
 5. Install the unit in a firm location that can support the unit's weight. If the chosen location cannot support the unit's weight, or the installation is not done properly, the unit may drop and cause serious injury and damage.

WARNING

6. For all electrical work, follow all local and national wiring standards, regulations, and the Installation Manual. You must use an independent circuit and single outlet to supply power. Do not connect other appliances to the same outlet. Insufficient electrical capacity or defects in electrical work can cause electrical shock or fire.
7. For all electrical work, use the specified cables. Connect cables tightly, and clamp them securely to prevent external forces from damaging the terminal. Improper electrical connections can overheat and cause fire, and may also cause shock.
8. All wiring must be properly arranged to ensure that the control board cover can close properly. If the control board cover is not closed properly, it can lead to corrosion and cause the connection points on the terminal to heat up, catch fire, or cause electrical shock.
9. In certain functional environments, such as kitchens, server rooms, etc., the use of specially designed air-conditioning units is highly recommended.
10. If the supply cord is damaged, it must be replaced by the manufacturer, its service agent or similarly qualified persons in order to avoid a hazard.
11. This appliance can be used by children aged from 8 years and above and persons with reduced Physical, sensory or mental capabilities or lack of experience and knowledge if they have been given supervision or instruction concerning use of the appliance in a safe way and understand the hazards involved. Children shall not play with the appliance. Cleaning and user maintenance shall not be made by children without supervision.

CAUTION

- ⊘ For units that have an auxiliary electric heater, **do not** install the unit within 1 meter (3 feet) of any combustible materials.
 - ⊘ **Do not** install the unit in a location that may be exposed to combustible gas leaks. If combustible gas accumulates around the unit, it may cause fire.
 - ⊘ **Do not** operate your air conditioner in a wet room such as a bathroom or laundry room. Too much exposure to water can cause electrical components to short circuit.
1. The product must be properly grounded at the time of installation, or electrical shock may occur.
 2. Install drainage piping according to the instructions in this manual. Improper drainage may cause water damage to your home and property.

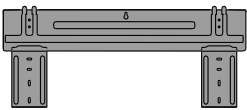




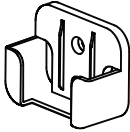


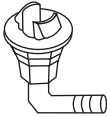
Note about Fluorinated Gasses

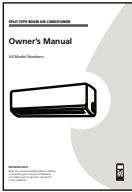


1. This air-conditioning unit contains fluorinated gasses. For specific information on the type of gas and the amount, please refer to the relevant label on the unit itself.
2. Installation, service, maintenance and repair of this unit must be performed by a certified technician.
3. Product uninstallation and recycling must be performed by a certified technician.
4. If the system has a leak-detection system installed, it must be checked for leaks at least every 12 months.
5. When the unit is checked for leaks, proper record-keeping of all checks is strongly recommended.

Accessories

1

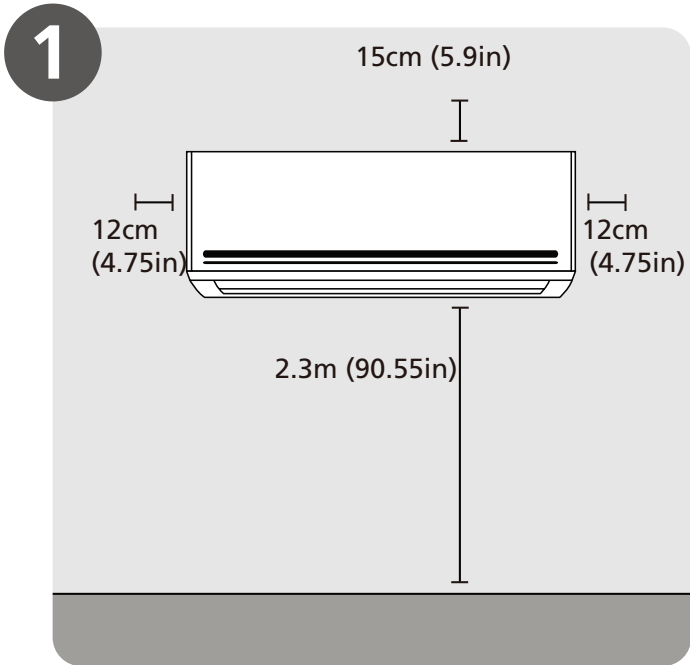
The air conditioning system comes with the following accessories. Use all of the installation parts and accessories to install the air conditioner. Improper installation may result in water leakage, electrical shock and fire, or cause the equipment to fail.

Name	Shape	Quantity	
Mounting plate		1	
Clip anchor		5	
Mounting plate fixing screw ST3.9 X 25		5	
Remote controller		1	
Fixing screw for remote controller holder ST2.9 x 10		2	Optional Parts
Remote controller holder		1	
Dry battery AAA.LR03		2	
Seal		1 (for cooling & heating models only)	
Drain joint			

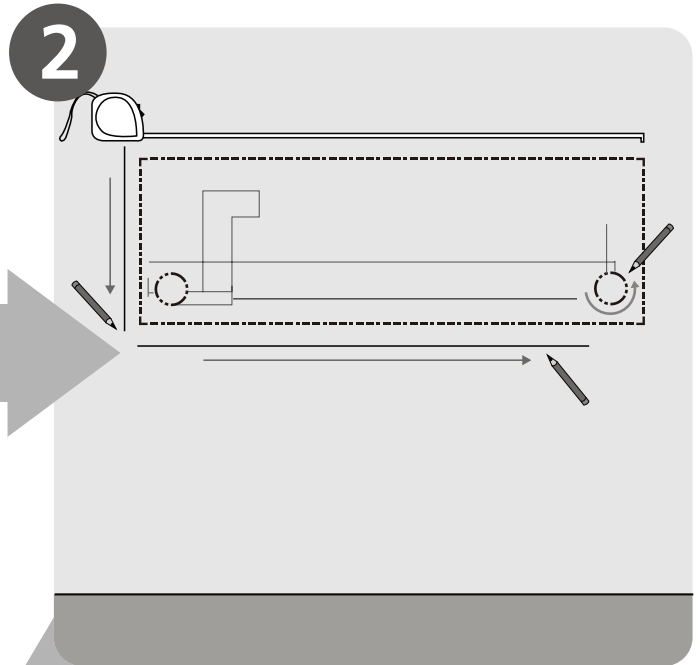
Name	Shape	Quantity	
Owner's manual		1	
Installation manual		1	
Remote controller illustration		1	
Connecting pipe assembly	Liquid side	Φ 6.35(1/4in)	Parts you must purchase. Consult the dealer about the pipe size.
		Φ 9.52(3/8in)	
	Gas side	Φ 9.52(3/8in)	
		Φ 12.7(1/2in)	
		Φ 16(5/8in)	
Φ 19(3/4in)			

Installation Summary - Indoor Unit

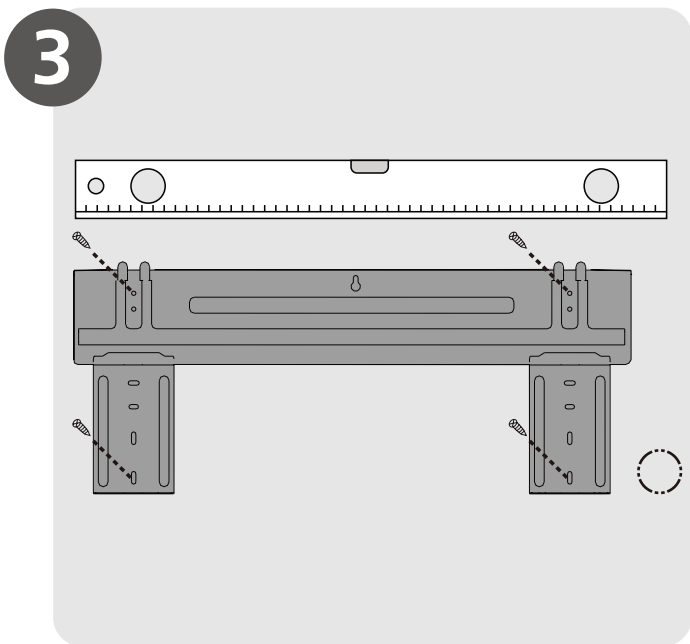
2



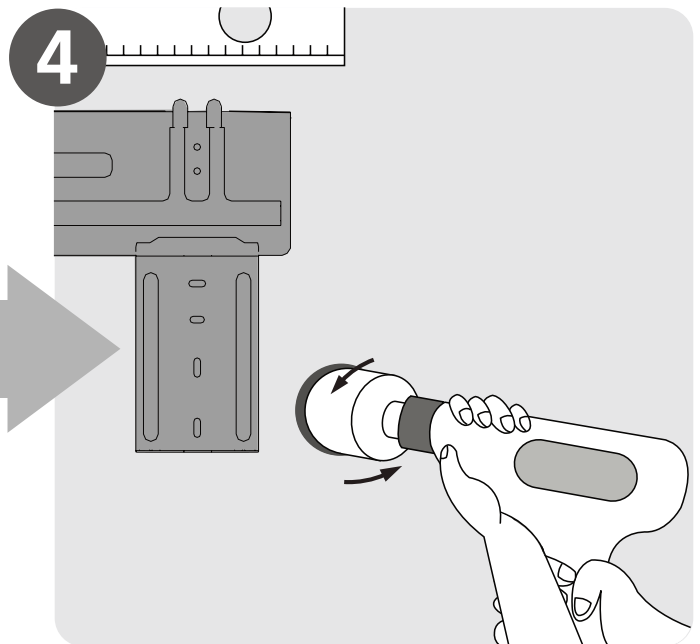
Select Installation Location
(Page 11)



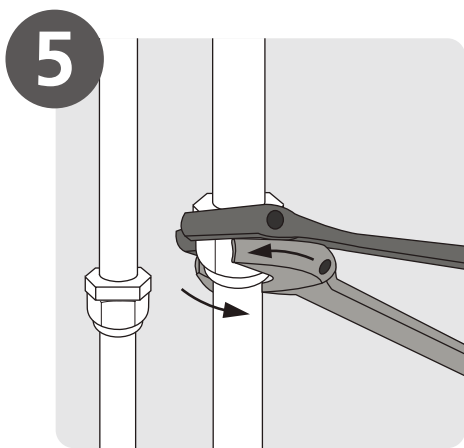
Determine Wall Hole Position
(Page 12)



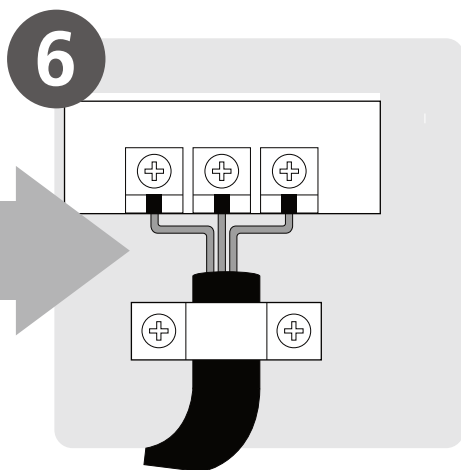
Attach Mounting Plate
(Page 12)



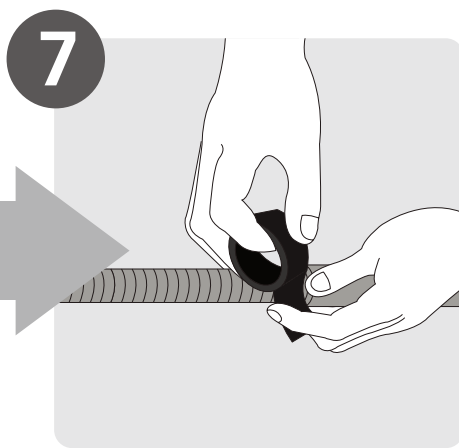
Drill Wall Hole
(Page 12)



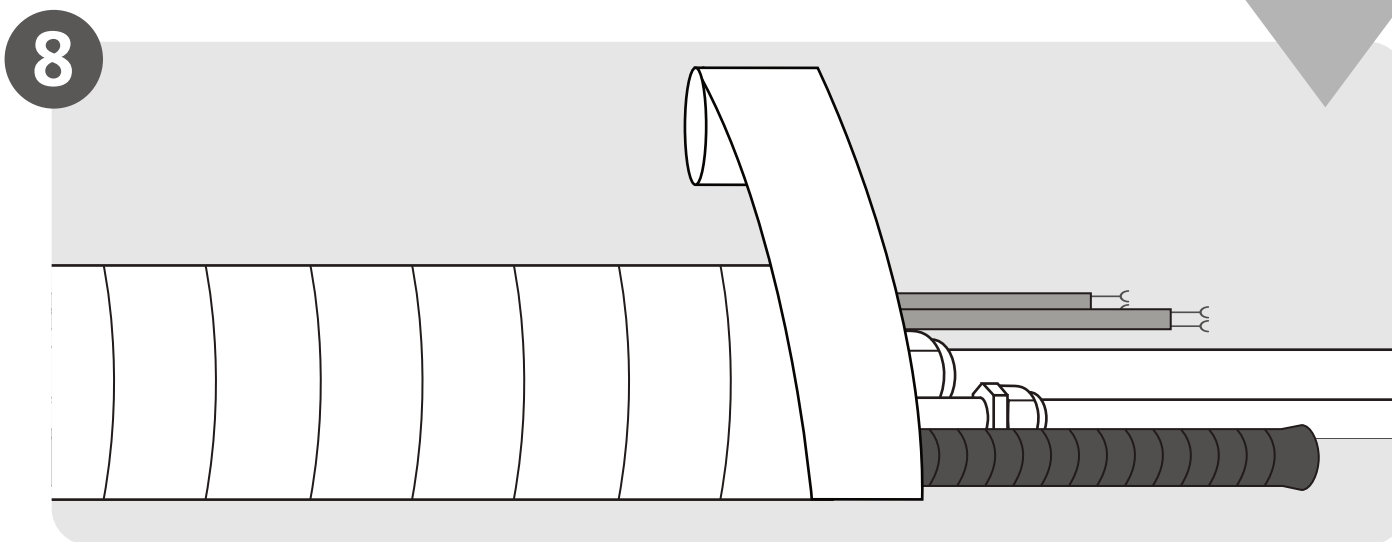
5
Connect Piping
(Page 25)



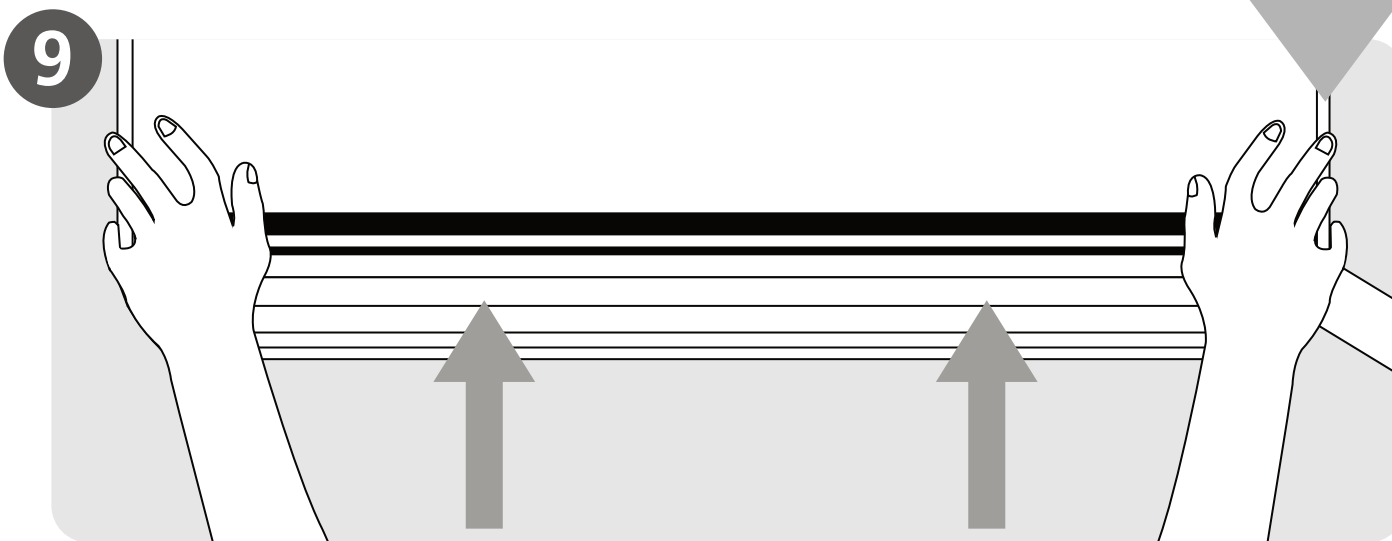
6
Connect Wiring
(Page 17)



7
Prepare Drain Hose
(Page 14)



8
Wrap Piping and Cable
(not applicable for some locations in the US)
(Page 18)



9
Mount Indoor Unit
(Page 18)

Unit Parts

3

NOTE: The installation must be performed in accordance with the requirement of local and national standards. The installation may be slightly different in different areas.

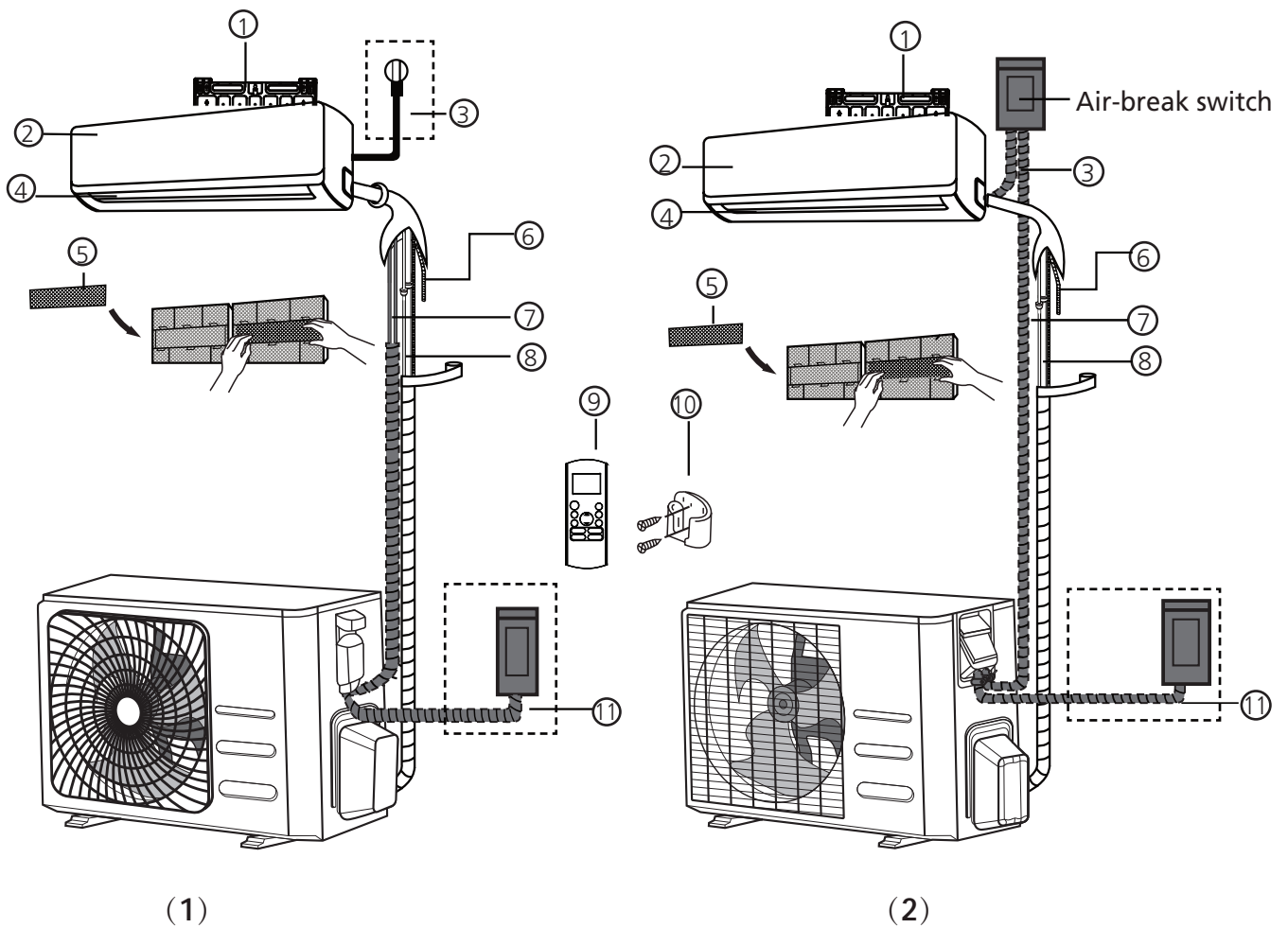


Fig. 2.1

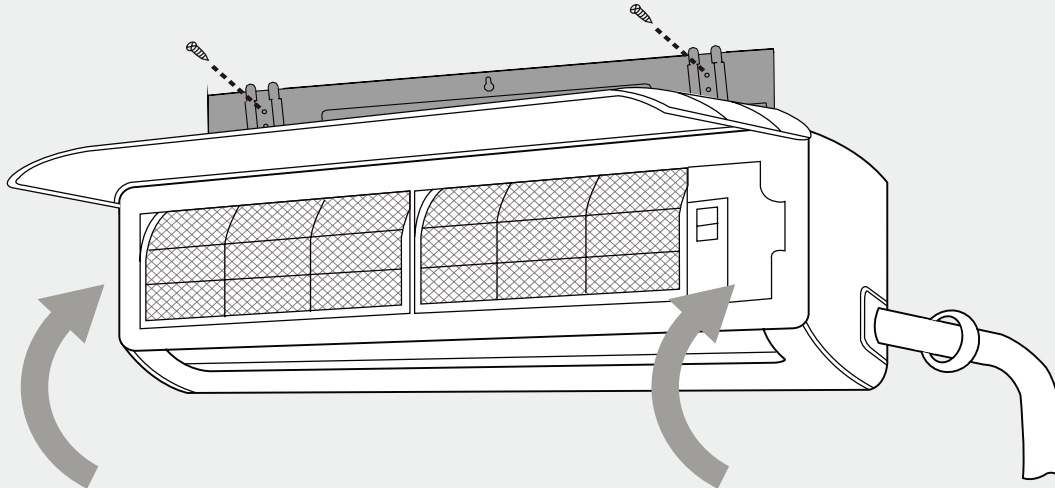
- | | | |
|----------------------------|--|---|
| ① Wall Mounting Plate | ⑤ Functional Filter (On Front of Main Filter - Some Units) | ⑨ Remote Controller |
| ② Front Panel | ⑥ Drainage Pipe | ⑩ Remote controller Holder (Some Units) |
| ③ Power Cable (Some Units) | ⑦ Signal Cable | ⑪ Outdoor Unit Power Cable (Some Units) |
| ④ Louver | ⑧ Refrigerant Piping | |

NOTE ON ILLUSTRATIONS

Illustrations in this manual are for explanatory purposes. The actual shape of your indoor unit may be slightly different. The actual shape shall prevail.

Indoor Unit Installation

4



Installation Instructions – Indoor Unit

PRIOR TO INSTALLATION

Before installing the indoor unit, refer to the label on the product box to make sure that the model number of the indoor unit matches the model number of the outdoor unit.

Step 1: Select installation location

Before installing the indoor unit, you must choose an appropriate location. The following are standards that will help you choose an appropriate location for the unit.

Proper installation locations meet the following standards:

- ☑ Good air circulation
- ☑ Convenient drainage
- ☑ Noise from the unit will not disturb other people
- ☑ Firm and solid—the location will not vibrate
- ☑ Strong enough to support the weight of the unit
- ☑ A location at least one meter from all other electrical devices (e.g., TV, radio, computer)

DO NOT install unit in the following locations:

- ⊘ Near any source of heat, steam, or combustible gas
- ⊘ Near flammable items such as curtains or clothing
- ⊘ Near any obstacle that might block air circulation
- ⊘ Near the doorway
- ⊘ In a location subject to direct sunlight

NOTE ABOUT WALL HOLE:

If there is no fixed refrigerant piping:

While choosing a location, be aware that you should leave ample room for a wall hole (see **Drill wall hole for connective piping** step) for the signal cable and refrigerant piping that connect the indoor and outdoor units. The default position for all piping is the right side of the indoor unit (while facing the unit). However, the unit can accommodate piping to both the left and right.

Refer to the following diagram to ensure proper distance from walls and ceiling:

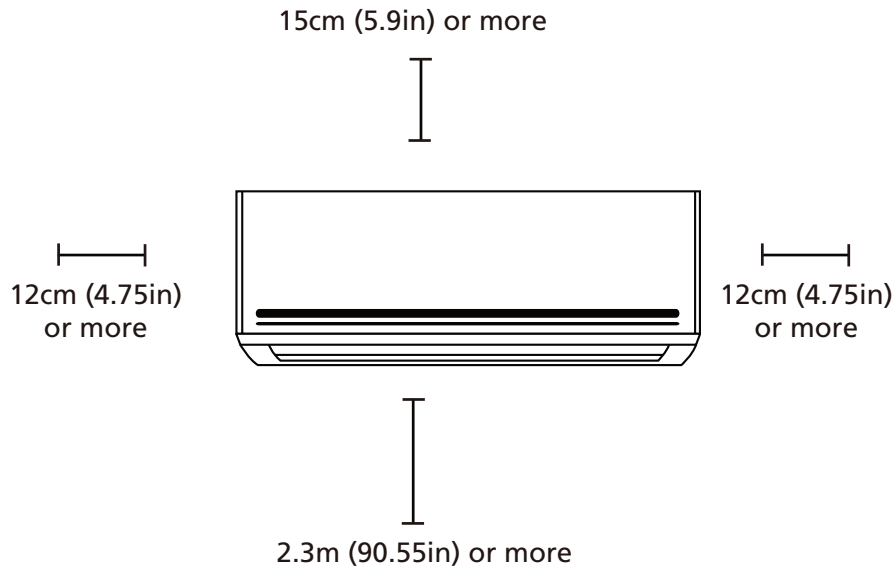


Fig. 3.1

Step 2: Attach mounting plate to wall

The mounting plate is the device on which you will mount the indoor unit.

1. Remove the screw that attaches the mounting plate to the back of the indoor unit.
2. Place the mounting plate against the wall in a location that meets the standards in the **Select Installation Location** step. (See **Mounting Plate Dimensions** for detailed information on mounting plate sizes.)
3. Drill holes for mounting screws in places that:
 - have studs and can support the weight of the unit
 - correspond to screw holes in the mounting plate
4. Secure the mounting plate to the wall with the screws provided.
5. Make sure that mounting plate is flat against the wall.

NOTE FOR CONCRETE OR BRICK WALLS:

If the wall is made of brick, concrete, or similar material, drill 5mm-diameter (0.2in-diameter) holes in the wall and insert the sleeve anchors provided. Then secure the mounting plate to the wall by tightening the screws directly into the clip anchors.

Step 3: Drill wall hole for connective piping

You must drill a hole in the wall for refrigerant piping, the drainage pipe, and the signal cable that will connect the indoor and outdoor units.

1. Determine the location of the wall hole based on the position of the mounting plate. Refer to **Mounting Plate Dimensions** on the next page to help you determine the optimal position. The wall hole should have a 65mm (2.5in) diameter at least, and at a slightly lower angle to facilitate drainage.
2. Using a 65mm (2.5in) or 90mm(3.54in) (depending on models)core drill, drill a hole in the wall. Make sure that the hole is drilled at a slight downward angle, so that the outdoor end of the hole is lower than the indoor end by about 5mm to 7mm (0.2-0.27in). This will ensure proper water drainage. (See **Fig. 3.2**)
3. Place the protective wall cuff in the hole. This protects the edges of the hole and will help seal it when you finish the installation process.

! CAUTION

When drilling the wall hole, make sure to avoid wires, plumbing, and other sensitive components.

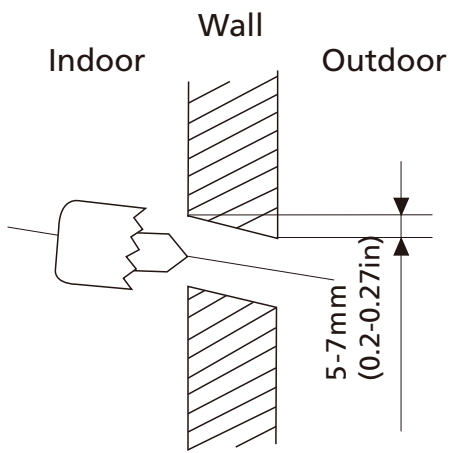


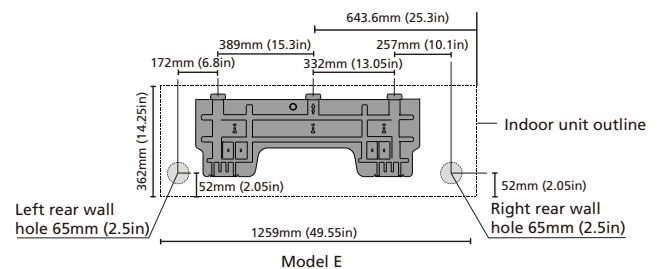
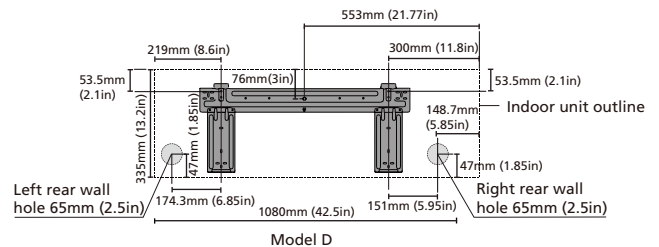
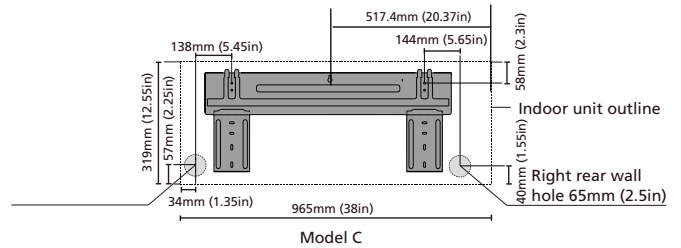
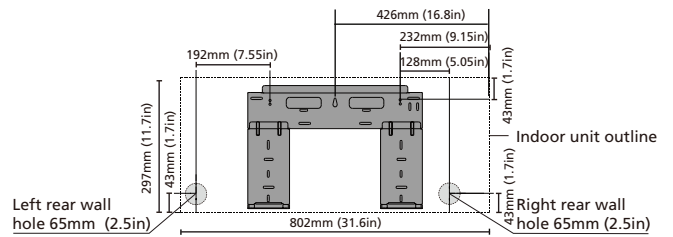
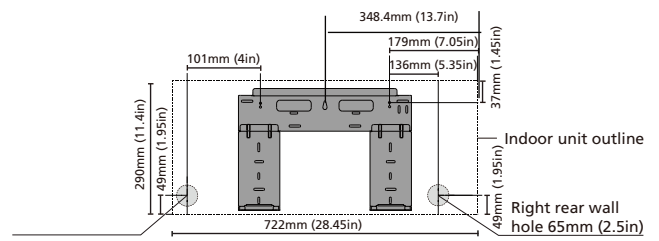
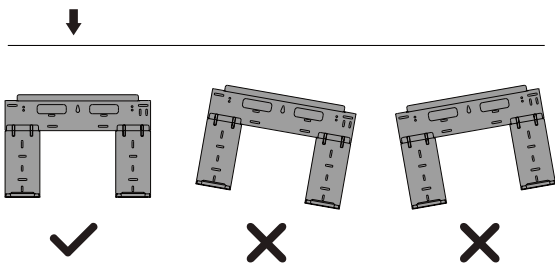
Fig. 3.2

MOUNTING PLATE DIMENSIONS

Different models have different mounting plates. In order to ensure that you have ample room to mount the indoor unit, the diagrams to the right show different types of mounting plates along with the following dimensions:

- Width of mounting plate
- Height of mounting plate
- Width of indoor unit relative to plate
- Height of indoor unit relative to plate
- Recommended position of wall hole (both to the left and right of mounting plate)
- Relative distances between screw holes

Correct orientation of Mounting Plate



NOTE: When the gas side connective pipe is Φ 16mm(5/8in) or more, the wall hole should be 90mm(3.54in).

Step 4: Prepare refrigerant piping

The refrigerant piping is inside an insulating sleeve attached to the back of the unit. You must prepare the piping before passing it through the hole in the wall. Refer to the **Refrigerant Piping Connection** section of this manual for detailed instructions on pipe flaring and flare torque requirements, technique, etc.

1. Based on the position of the wall hole relative to the mounting plate, choose the side from which the piping will exit the unit.
2. If the wall hole is behind the unit, keep the knock-out panel in place. If the wall hole is to the side of the indoor unit, remove the plastic knock-out panel from that side of the unit. (See **Fig. 3.3**). This will create a slot through which your piping can exit the unit. Use needle nose pliers if the plastic panel is too difficult to remove by hand.

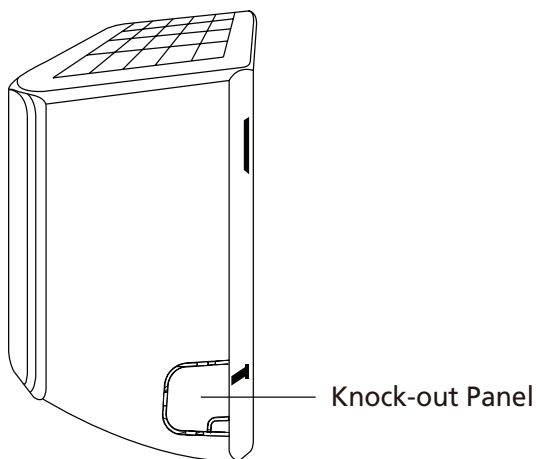


Fig. 3.3

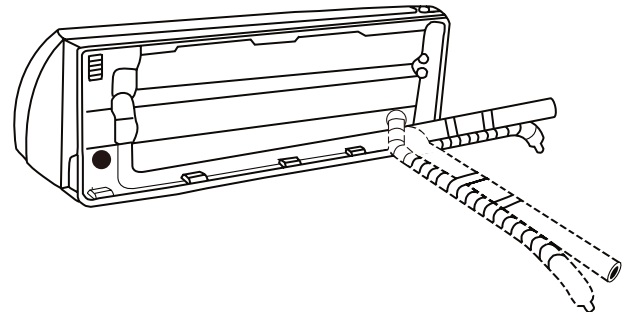
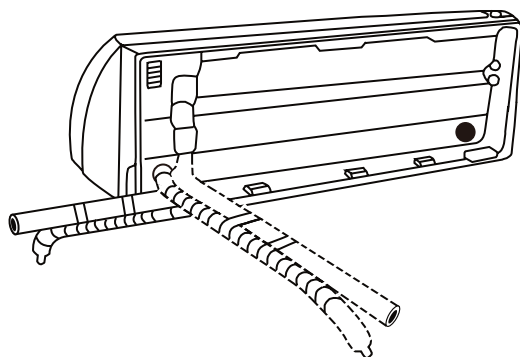


Fig. 3.4

3. Use scissors to cut down the length of the insulating sleeve to reveal about 15cm (6in) of the refrigerant piping. This serves two purposes:
 - To facilitate the **Refrigerant Piping Connection** process
 - To facilitate Gas Leak Checks and enable you to check for dents
4. If existing connective piping is already embedded in the wall, proceed directly to the **Connect Drain Hose** step. If there is no embedded piping, connect the indoor unit's refrigerant piping to the connective piping that will join the indoor and outdoor units. Refer to the **Refrigerant Piping Connection** section of this manual for detailed instructions.
5. Based on the position of the wall hole relative to the mounting plate, determine the necessary angle of your piping.
6. Grip the refrigerant piping at the base of the bend.
7. Slowly, with even pressure, bend the piping towards the hole. **Do not** dent or damage the piping during the process.

NOTE ON PIPING ANGLE

Refrigerant piping can exit the indoor unit from four different angles:

- Left-hand side
- Left rear
- Right-hand side
- Right rear

Refer to **Fig. 3.4** for details.

! CAUTION

Be extremely careful not to dent or damage the piping while bending them away from the unit. Any dents in the piping will affect the unit's performance.

Step 5: Connect drain hose

By default, the drain hose is attached to the left-hand side of unit (when you're facing the back of the unit). However, it can also be attached to the right-hand side.

1. To ensure proper drainage, attach the drain hose on the same side that your refrigerant piping exits the unit.
2. Attach drain hose extension (purchased separately) to the end of drain hose.
3. Wrap the connection point firmly with Teflon tape to ensure a good seal and to prevent leaks.
4. For the portion of the drain hose that will remain indoors, wrap it with foam pipe insulation to prevent condensation.
5. Remove the air filter and pour a small amount of water into the drain pan to make sure that water flows from the unit smoothly.

NOTE ON DRAIN HOSE PLACEMENT

Make sure to arrange the drain hose according to **Fig. 3.5**.

- ⊘ **DO NOT** kink the drain hose.
- ⊘ **DO NOT** create a water trap.
- ⊘ **DO NOT** put the end of drain hose in water or a container that will collect water.

PLUG THE UNUSED DRAIN HOLE

To prevent unwanted leaks you must plug the unused drain hole with the rubber plug provided.

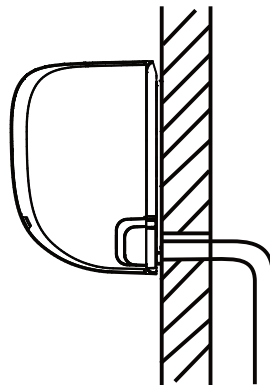
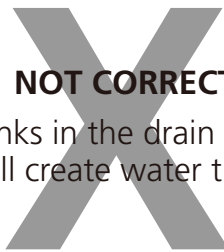


Fig. 3.5

CORRECT

Make sure there are no kinks or dent in drain hose to ensure proper drainage.



NOT CORRECT

Kinks in the drain hose will create water traps.

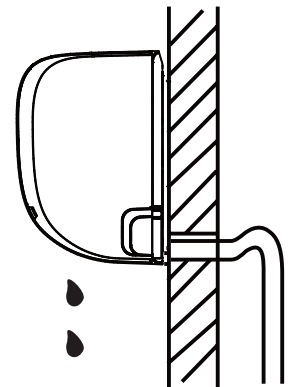


Fig. 3.6



Fig. 3.7



NOT CORRECT

Kinks in the drain hose will create water traps.

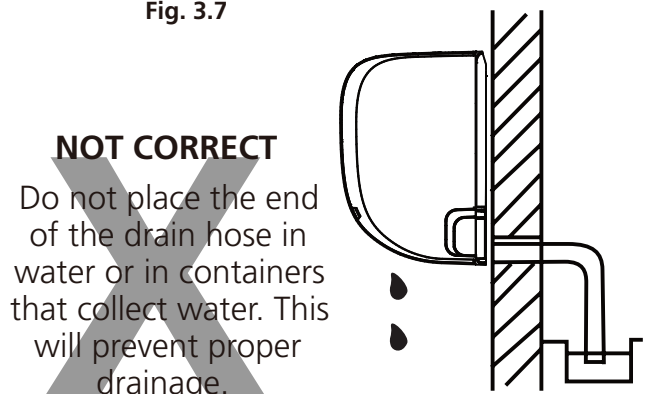


Fig. 3.8

NOT CORRECT

Do not place the end of the drain hose in water or in containers that collect water. This will prevent proper drainage.

 **BEFORE PERFORMING ELECTRICAL WORK, READ THESE REGULATIONS**

1. All wiring must comply with local and national electrical codes, and must be installed by a licensed electrician.
2. All electrical connections must be made according to the Electrical Connection Diagram located on the panels of the indoor and outdoor units.
3. If there is a serious safety issue with the power supply, stop work immediately. Explain your reasoning to the client, and refuse to install the unit until the safety issue is properly resolved.
4. Power voltage should be within 90-110% of rated voltage. Insufficient power supply can cause malfunction, electrical shock, or fire.
5. If connecting power to fixed wiring, install a surge protector and main power switch with a capacity of 1.5 times the maximum current of the unit.
6. If connecting power to fixed wiring, a switch or circuit breaker that disconnects all poles and has a contact separation of at least 1/8in (3mm) must be incorporated in the fixed wiring. The qualified technician must use an approved circuit breaker or switch.
7. Only connect the unit to an individual branch circuit outlet. Do not connect another appliance to that outlet.
8. Make sure to properly ground the air conditioner.
9. Every wire must be firmly connected. Loose wiring can cause the terminal to overheat, resulting in product malfunction and possible fire.
10. Do not let wires touch or rest against refrigerant tubing, the compressor, or any moving parts within the unit.
11. If the unit has an auxiliary electric heater, it must be installed at least 1 meter (40in) away from any combustible materials.

 **WARNING**

BEFORE PERFORMING ANY ELECTRICAL OR WIRING WORK, TURN OFF THE MAIN POWER TO THE SYSTEM.

Step 6: Connect signal cable

The signal cable enables communication between the indoor and outdoor units. You must first choose the right cable size before preparing it for connection.

Cable Types

- **Indoor Power Cable** (if applicable): H05VV-F or H05V2V2-F
- **Outdoor Power Cable:** H07RN-F
- **Signal Cable:** H07RN-F

Minimum Cross-Sectional Area of Power and Signal Cables

North America

Appliance Amps (A)	AWG
10	14
13	14
18	12
25	10
30	10

Other Regions

Rated Current of Appliance (A)	Nominal Cross-Sectional Area (mm ²)
> 3 and ≤ 6	0.75
> 6 and ≤ 10	1
> 10 and ≤ 16	1.5
> 16 and ≤ 25	2.5
> 25 and ≤ 32	4
> 32 and ≤ 40	6

CHOOSE THE RIGHT CABLE SIZE

The size of the power supply cable, signal cable, fuse, and switch needed is determined by the maximum current of the unit. The maximum current is indicated on the nameplate located on the side panel of the unit. Refer to this nameplate to choose the right cable, fuse, or switch.

TAKE NOTE OF FUSE SPECIFICATIONS

The air conditioner's circuit board (PCB) is designed with a fuse to provide overcurrent protection. The specifications of the fuse are printed on the circuit board, such as: T3.15A/250VAC, T5A/250VAC, etc.

1. Prepare the cable for connection:
 - a. Using wire strippers, strip the rubber jacket from both ends of signal cable to reveal about 40mm (1.57in) of the wires inside.
 - b. Strip the insulation from the ends of the wires.
 - c. Using wire crimper, crimp u-type lugs on the ends of the wires.

PAY ATTENTION TO LIVE WIRE

While crimping wires, make sure you clearly distinguish the Live ("L") Wire from other wires.

2. Open front panel of the indoor unit.
3. Using a screwdriver, open the wire box cover on the right side of the unit. This will reveal the terminal block.

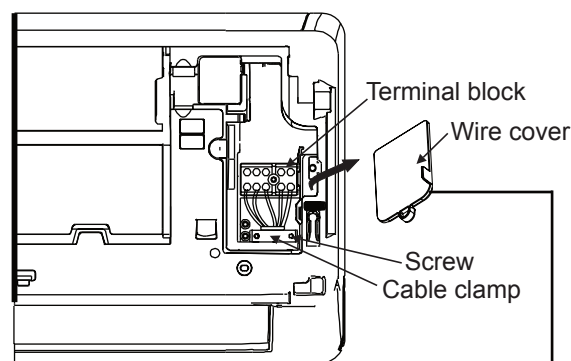


Fig. 3.9

The Wiring Diagram is located on the inside of the indoor unit's wire cover.

⚠ WARNING

ALL WIRING MUST PERFORMED STRICTLY IN ACCORDANCE WITH THE WIRING DIAGRAM LOCATED ON THE INSIDE OF THE INDOOR UNIT'S WIRE COVER.

4. Unscrew the cable clamp below the terminal block and place it to the side.
5. Facing the back of the unit, remove the plastic panel on the bottom left-hand side.

6. Feed the signal wire through this slot, from the back of the unit to the front.
7. Facing the front of the unit, match the wire colors with the labels on the terminal block, connect the u-lug and and firmly screw each wire to its corresponding terminal.

! CAUTION

DO NOT MIX UP LIVE AND NULL WIRES

This is dangerous, and can cause the air conditioning unit to malfunction.

8. After checking to make sure every connection is secure, use the cable clamp to fasten the signal cable to the unit. Screw the cable clamp down tightly.
9. Replace the wire cover on the front of the unit, and the plastic panel on the back.

! NOTE ABOUT WIRING

THE WIRING CONNECTION PROCESS MAY DIFFER SLIGHTLY BETWEEN UNITS.

Step 7: Wrap piping and cables

Before passing the piping, drain hose, and the signal cable through the wall hole, you must bundle them together to save space, protect them, and insulate them.

1. Bundle the drain hose, refrigerant pipes, and signal cable according to **Fig. 3.10**.

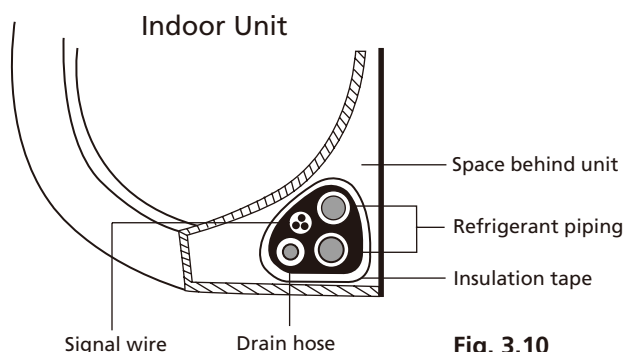


Fig. 3.10

DRAIN HOSE MUST BE ON BOTTOM

Make sure that the drain hose is at the bottom of the bundle. Putting the drain hose at the top of the bundle can cause the drain pan to overflow, which can lead to fire or water damage.

DO NOT INTERTWINE SIGNAL CABLE WITH OTHER WIRES

While bundling these items together, do not intertwine or cross the signal cable with any other wiring.

2. Using adhesive vinyl tape, attach the drain hose to the underside of the refrigerant pipes.
3. Using insulation tape, wrap the signal wire, refrigerant pipes, and drain hose tightly together. Double-check that all items are bundled in accordance with **Fig. 3.10**.

DO NOT WRAP ENDS OF PIPING

When wrapping the bundle, keep the ends of the piping unwrapped. You need to access them to test for leaks at the end of the installation process (refer to **Electrical Checks and Leak Checks** section of this manual).

Step 8: Mount indoor unit

If you installed new connective piping to the outdoor unit, do the following:

1. If you have already passed the refrigerant piping through the hole in the wall, proceed to Step 4.
2. Otherwise, double-check that the ends of the refrigerant pipes are sealed to prevent dirt or foreign materials from entering the pipes.
3. Slowly pass the wrapped bundle of refrigerant pipes, drain hose, and signal wire through the hole in the wall.
4. Hook the top of the indoor unit on the upper hook of the mounting plate.
5. Check that unit is hooked firmly on mounting by applying slight pressure to the left and right-hand sides of the unit. The unit should not jiggle or shift.
6. Using even pressure, push down on the bottom half of the unit. Keep pushing down until the unit snaps onto the hooks along the bottom of the mounting plate.
7. Again, check that the unit is firmly mounted by applying slight pressure to the left and the right-hand sides of the unit.

If refrigerant piping is already embedded in the wall, do the following:

1. Hook the top of the indoor unit on the upper hook of the mounting plate.
2. Use a bracket or wedge to prop up the unit, giving you enough room to connect the refrigerant piping, signal cable, and drain hose. Refer to **Fig. 3.11** for an example.

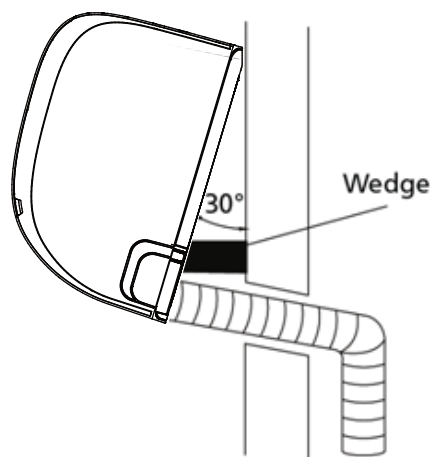


Fig. 3.11

3. Connect drain hose and refrigerant piping (refer to **Refrigerant Piping Connection** section of this manual for instructions).
4. Keep pipe connection point exposed to perform the leak test (refer to **Electrical Checks and Leak Checks** section of this manual).
5. After the leak test, wrap the connection point with insulation tape.
6. Remove the bracket or wedge that is propping up the unit.
7. Using even pressure, push down on the bottom half of the unit. Keep pushing down until the unit snaps onto the hooks along the bottom of the mounting plate.

UNIT IS ADJUSTABLE

Keep in mind that the hooks on the mounting plate are smaller than the holes on the back of the unit. If you find that you don't have ample room to connect embedded pipes to the indoor unit, the unit can be adjusted left or right by about 30-50mm (1.25-1.95in), depending on the model. (See **Fig. 3.12**.)

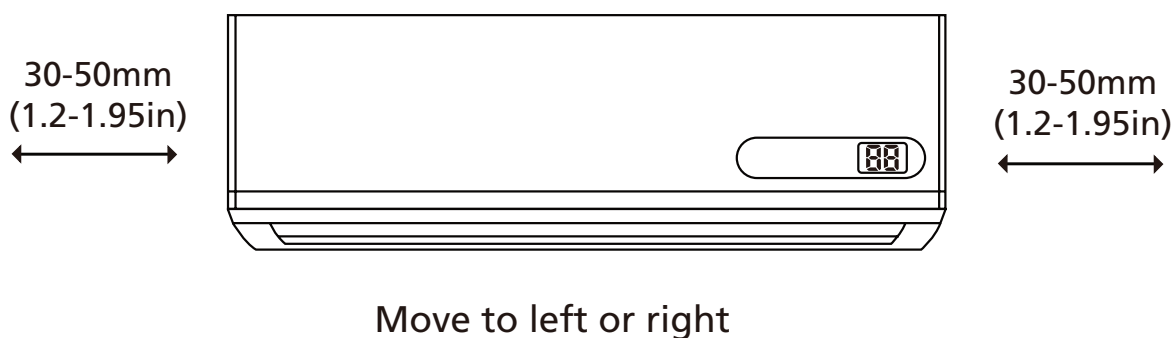
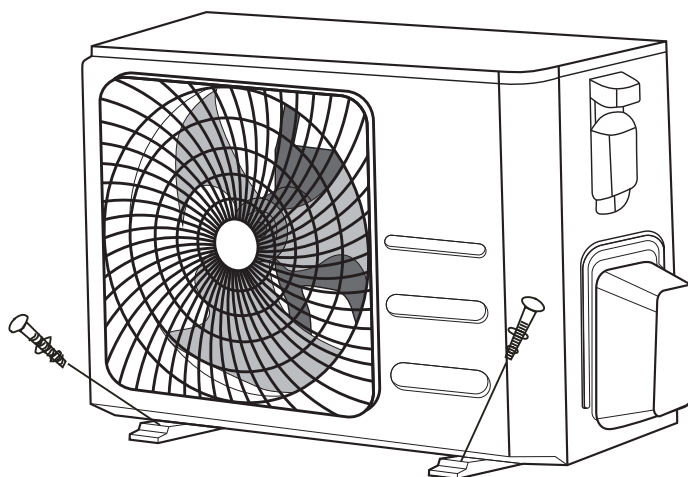


Fig. 3.12

Outdoor Unit Installation

5



Installation Instructions – Outdoor Unit

Step 1: Select installation location

Before installing the outdoor unit, you must choose an appropriate location. The following are standards that will help you choose an appropriate location for the unit.

Proper installation locations meet the following standards:

- ☑ Meets all spatial requirements shown in Installation Space Requirements (**Fig. 4.1**)
- ☑ Good air circulation and ventilation
- ☑ Firm and solid—the location can support the unit and will not vibrate
- ☑ Noise from the unit will not disturb others
- ☑ Protected from prolonged periods of direct sunlight or rain

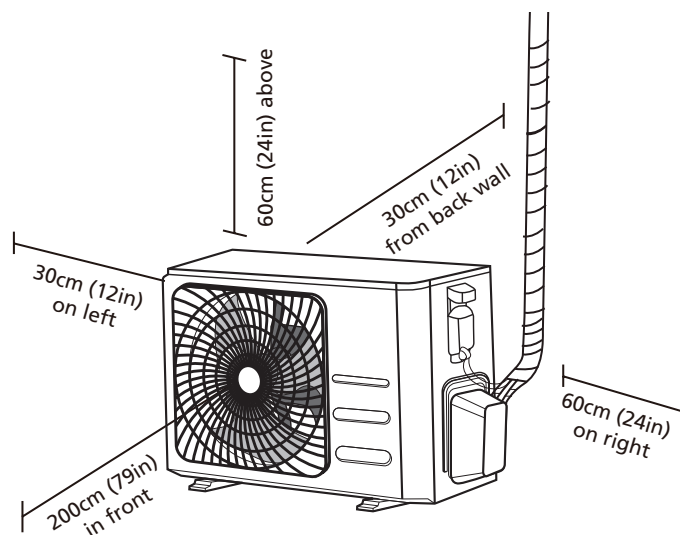


Fig. 4.1

DO NOT install unit in the following locations:

- ⊘ Near an obstacle that will block air inlets and outlets
- ⊘ Near a public street, crowded areas, or where noise from the unit will disturb others
- ⊘ Near animals or plants that will be harmed by hot air discharge
- ⊘ Near any source of combustible gas
- ⊘ In a location that is exposed to large amounts of dust
- ⊘ In a location exposed to an excessive amounts of salty air

SPECIAL CONSIDERATIONS FOR EXTREME WEATHER

If the unit is exposed to heavy wind:

Install unit so that air outlet fan is at a 90° angle to the direction of the wind. If needed, build a barrier in front of the unit to protect it from extremely heavy winds.

See **Fig. 4.2** and **Fig. 4.3** below.

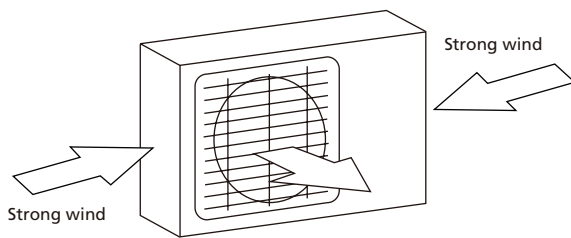


Fig. 4.2

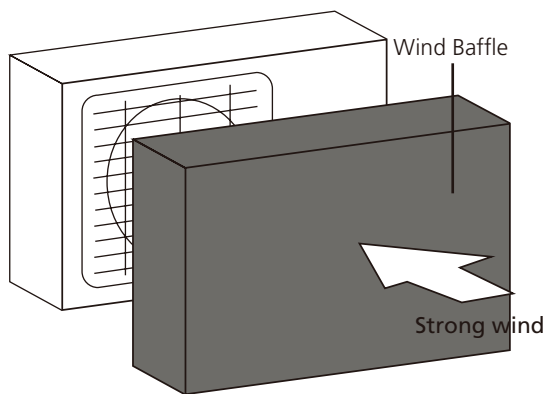


Fig. 4.3

If the unit is frequently exposed to heavy rain or snow:

Build a shelter above the unit to protect it from the rain or snow. Be careful not to obstruct air flow around the unit.

If the unit is frequently exposed to salty air (seaside):

Use outdoor unit that is specially designed to resist corrosion.

Step 2: Install drain joint

Heat pump units require a drain joint. Before bolting the outdoor unit in place, you must install the drain joint at the bottom of the unit. Note that there are two different types of drain joints depending on the type of outdoor unit.

If the drain joint comes with a rubber seal (see **Fig. 4.4 - A**), do the following:

1. Fit the rubber seal on the end of the drain joint that will connect to the outdoor unit.
2. Insert the drain joint into the hole in the base pan of the unit.
3. Rotate the drain joint 90° until it clicks in place facing the front of the unit.
4. Connect a drain hose extension (not included) to the drain joint to redirect water from the unit during heating mode.

If the drain joint doesn't come with a rubber seal (see **Fig. 4.4 - B**), do the following:

1. Insert the drain joint into the hole in the base pan of the unit. The drain joint will click in place.
2. Connect a drain hose extension (not included) to the drain joint to redirect water from the unit during heating mode.

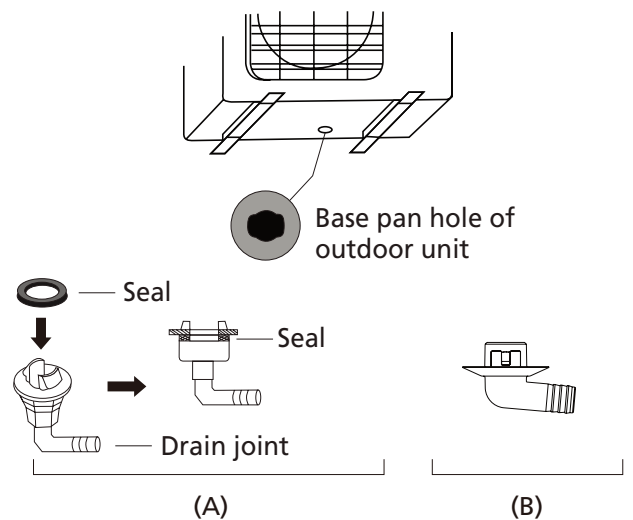


Fig. 4.4

! IN COLD CLIMATES

In cold climates, make sure that the drain hose is as vertical as possible to ensure swift water drainage. If water drains too slowly, it can freeze in the hose and flood the unit.

Step 3: Anchor outdoor unit

The outdoor unit can be anchored to the ground or to a wall-mounted bracket.

UNIT MOUNTING DIMENSIONS

The following is a list of different outdoor unit sizes and the distance between their mounting feet. Prepare the installation base of the unit according to the dimensions below.

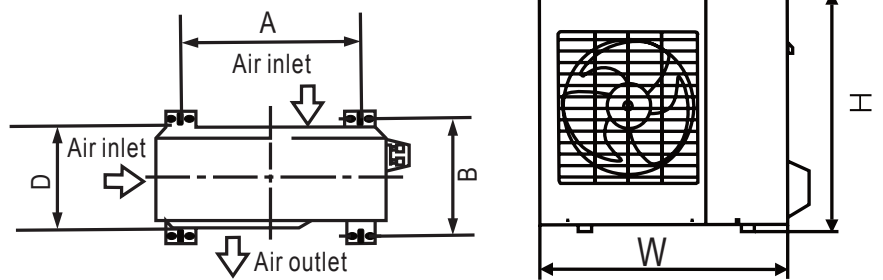


Fig. 4.5

Outdoor Unit Dimensions (mm) W x H x D	Mounting Dimensions	
	Distance A (mm)	Distance B (mm)
681x434x285 (26.8"x17"x11.2")	460 (18.10")	292 (11.49")
700x550x270 (27.5"x21.6"x10.62")	450 (17.7")	260 (10.24")
780x540x250 (30.7"x21.25"x9.85")	549 (21.6")	276 (10.85")
845x700x320 (33.25"x27.5"x12.6")	560 (22")	335 (13.2")
728x555x300 (28.66"x21.85"x11.81")	452 (17.79")	302(11.89")
700x550x275 (27.5"x21.6"x10.82")	450 (17.7")	260 (10.24")
770x555x300 (30.3"x21.85"x11.81")	487 (19.2")	298 (11.73")
800x554x333 (31.5"x21.8"x13.1")	514 (20.24")	340 (13.39")
845x702x363 (33.25"x27.63"x14.29")	540 (21.26")	350 (13.8")
900x860x315 (35.4"x33.85"x12.4")	590 (23.2")	333 (13.1")
945x810x395 (37.2"x31.9"x15.55")	640 (25.2")	405 (15.95")
946x810x420 (37.21"x31.9"x16.53")	673 (26.5")	403 (15.87")
946x810x410 (37.21"x31.9"x16.14")	673 (26.5")	403 (15.87")

If you will install the unit on the ground or on a concrete mounting platform, do the following:

1. Mark the positions for four expansion bolts based on dimensions in the Unit Mounting Dimensions chart.
2. Pre-drill holes for expansion bolts.
3. Clean concrete dust away from holes.
4. Place a nut on the end of each expansion bolt.
5. Hammer expansion bolts into the pre-drilled holes.

6. Remove the nuts from expansion bolts, and place outdoor unit on bolts.
7. Put washer on each expansion bolt, then replace the nuts.
8. Using a wrench, tighten each nut until snug.

WARNING

WHEN DRILLING INTO CONCRETE, EYE PROTECTION IS RECOMMENDED AT ALL TIMES.

If you will install the unit on a wall-mounted bracket, do the following:

CAUTION

Before installing a wall-mounted unit, make sure that the wall is made of solid brick, concrete, or of similarly strong material. **The wall must be able to support at least four times the weight of the unit.**

1. Mark the position of bracket holes based on dimensions in the Unit Mounting Dimensions chart.
2. Pre-drill the holes for the expansion bolts.
3. Clean dust and debris away from holes.
4. Place a washer and nut on the end of each expansion bolt.
5. Thread expansion bolts through holes in mounting brackets, put mounting brackets in position, and hammer expansion bolts into the wall.
6. Check that the mounting brackets are level.
7. Carefully lift unit and place its mounting feet on brackets.
8. Bolt the unit firmly to the brackets.

TO REDUCE VIBRATIONS OF WALL-MOUNTED UNIT

If allowed, you can install the wall-mounted unit with rubber gaskets to reduce vibrations and noise.

Step 4: Connect signal and power cables

The outside unit's terminal block is protected by an electrical wiring cover on the side of the unit. A comprehensive wiring diagram is printed on the inside of the wiring cover.



BEFORE PERFORMING ELECTRICAL WORK, READ THESE REGULATIONS

1. All wiring must comply with local and national electrical codes, and must be installed by a licensed electrician.
2. All electrical connections must be made according to the Electrical Connection Diagram located on the side panels of the indoor and outdoor units.
3. If there is a serious safety issue with the power supply, stop work immediately. Explain your reasoning to the client, and refuse to install the unit until the safety issue is properly resolved.
4. Power voltage should be within 90-110% of rated voltage. Insufficient power supply can cause electrical shock or fire.
5. If connecting power to fixed wiring, install a surge protector and main power switch with a capacity of 1.5 times the maximum current of the unit.
6. If connecting power to fixed wiring, a switch or circuit breaker that disconnects all poles and has a contact separation of at least 1/8in (3mm) must be incorporated in the fixed wiring. The qualified technician must use an approved circuit breaker or switch.
7. Only connect the unit to an individual branch circuit outlet. Do not connect another appliance to that outlet.
8. Make sure to properly ground the air conditioner.
9. Every wire must be firmly connected. Loose wiring can cause the terminal to overheat, resulting in product malfunction and possible fire.
10. **Do not** let wires touch or rest against refrigerant tubing, the compressor, or any moving parts within the unit.
11. If the unit has an auxiliary electric heater, it must be installed at least 1 meter (40in) away from any combustible materials.

! WARNING

BEFORE PERFORMING ANY ELECTRICAL OR WIRING WORK, TURN OFF THE MAIN POWER TO THE SYSTEM.

1. Prepare the cable for connection:

USE THE RIGHT CABLE

- Indoor Power Cable (if applicable): H05VV-F or H05V2V2-F
- Outdoor Power Cable: H07RN-F
- Signal Cable: H07RN-F

Minimum Cross-Sectional Area of Power and Signal Cables

North America

Appliance Amps (A)	AWG
10	14
13	14
18	12
25	10
30	10

Other Regions

Rated Current of Appliance (A)	Nominal Cross-Sectional Area (mm ²)
> 3 and ≤ 6	0.75
> 6 and ≤ 10	1
> 10 and ≤ 16	1.5
> 16 and ≤ 25	2.5
> 25 and ≤ 32	4
> 32 and ≤ 40	6

- Using wire strippers, strip the rubber jacket from both ends of cable to reveal about 40mm (1.57in) of the wires inside.
- Strip the insulation from the ends of the wires.
- Using a wire crimper, crimp u-lugs on the ends of the wires.

PAY ATTENTION TO LIVE WIRE

While crimping wires, make sure you clearly distinguish the Live ("L") Wire from other wires.

! WARNING

ALL WIRING MUST PERFORMED STRICTLY IN ACCORDANCE WITH THE WIRING DIRGRAM LOCATED INSIDE THE OUTDOOR UNIT'S WIRE COVER.

- Unscrew the electrical wiring cover and remove it.
- Unscrew the cable clamp below the terminal block and place it to the side.
- Match the wire colors/labels with the labels on the terminal block, and firmly screw the u-lug of each wire to its corresponding terminal.
- After checking to make sure every connection is secure, loop the wires around to prevent rain water from flowing into the terminal.
- Using the cable clamp, fasten the cable to the unit. Screw the cable clamp down tightly.
- Insulate unused wires with PVC electrical tape. Arrange them so that they do not touch any electrical or metal parts.
- Replace the wire cover on the side of the unit, and screw it in place.

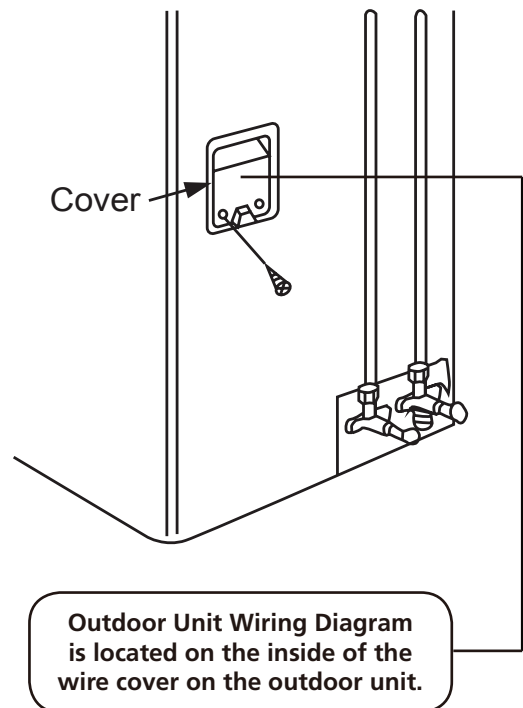
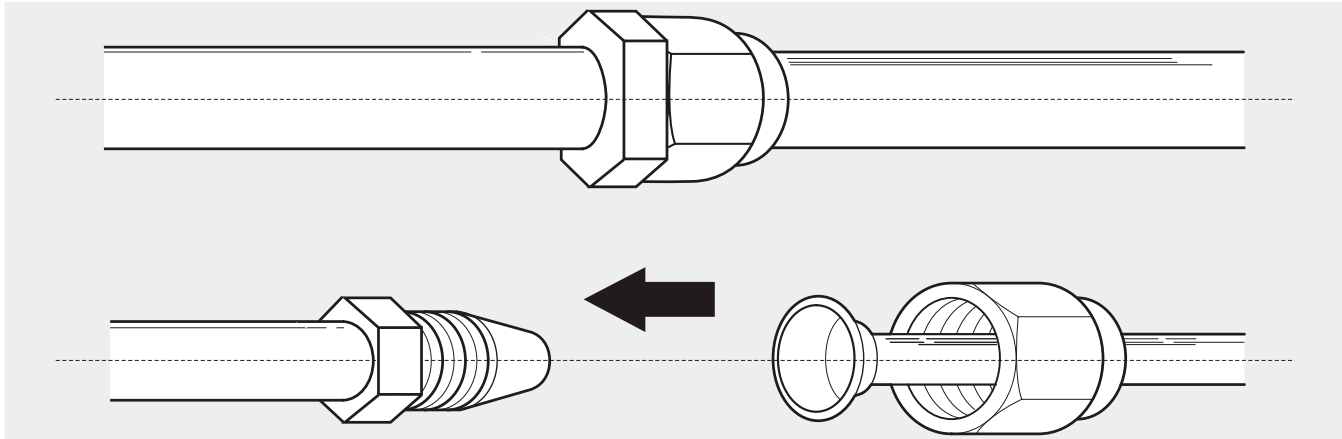


Fig. 4.6

Refrigerant Piping Connection

6



Note on Pipe Length

The length of refrigerant piping will affect the performance and energy efficiency of the unit. Nominal efficiency is tested on units with a pipe length of 5 meters (16.5ft), in North America, the standard pipe length is 7.5m (25'). A minimum pipe run of 3 meters is required to minimise vibration & excessive noise. Refer to the table below for specifications on the maximum length and drop height of piping.

Maximum Length and Drop Height of Refrigerant Piping per Unit Model

Model	Capacity (BTU/h)	Max. Length (m)	Max. Drop Height (m)
R410A Inverter Split Air Conditioner	< 15,000	25 (82ft)	10 (33ft)
	≥ 15,000 and < 24,000	30 (98.5ft)	20 (66ft)
	≥ 24,000 and < 36,000	50 (164ft)	25 (82ft)
R22 Fixed-speed Split Air Conditioner	< 18,000	10 (33ft)	5 (16ft)
	≥ 18,000 and < 21,000	15 (49ft)	8(26ft)
	≥ 21,000 and < 35,000	20 (66ft)	10(33ft)
R410A Fixed-speed Split Air Conditioner	< 18,000	20 (66ft)	8(26ft)
	≥ 18,000 and < 36,000	25 (82ft)	10(33ft)

Connection Instructions – Refrigerant Piping

Step 1: Cut pipes

When preparing refrigerant pipes, take extra care to cut and flare them properly. This will ensure efficient operation and minimize the need for future maintenance.

1. Measure the distance between the indoor and outdoor units.

- Using a pipe cutter, cut the pipe a little longer than the measured distance.
- Make sure that the pipe is cut at a perfect 90° angle. Refer to **Fig. 5.1** for bad cut examples.

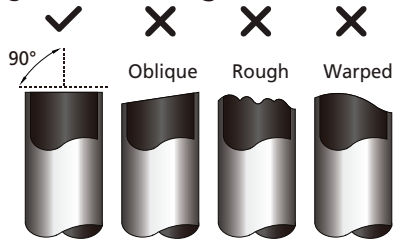


Fig. 5.1

! DO NOT DEFORM PIPE WHILE CUTTING

Be extra careful not to damage, dent, or deform the pipe while cutting. This will drastically reduce the heating efficiency of the unit.

Step 2: Remove burrs

Burrs can affect the air-tight seal of refrigerant piping connection. They must be completely removed.

- Hold the pipe at a downward angle to prevent burrs from falling into the pipe.
- Using a reamer or deburring tool, remove all burrs from the cut section of the pipe.

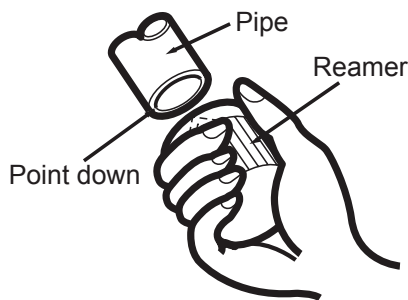


Fig. 5.2

Step 3: Flare pipe ends

Proper flaring is essential to achieve an airtight seal.

- After removing burrs from cut pipe, seal the ends with PVC tape to prevent foreign materials from entering the pipe.
- Sheath the pipe with insulating material.
- Place flare nuts on both ends of pipe. Make sure they are facing in the right direction, because you can't put them on or change their direction after flaring. See **Fig. 5.3**

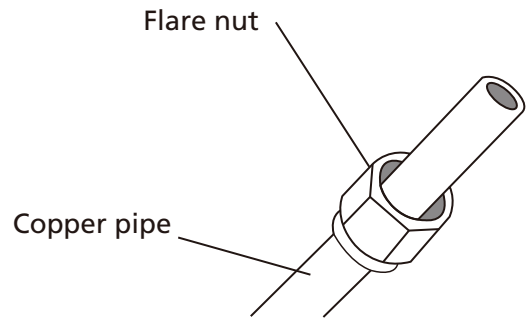


Fig. 5.3

- Remove PVC tape from ends of pipe when ready to perform flaring work.
- Clamp flare form on the end of the pipe. The end of the pipe must extend beyond the edge of the flare form in accordance with the dimensions shown in the table below.

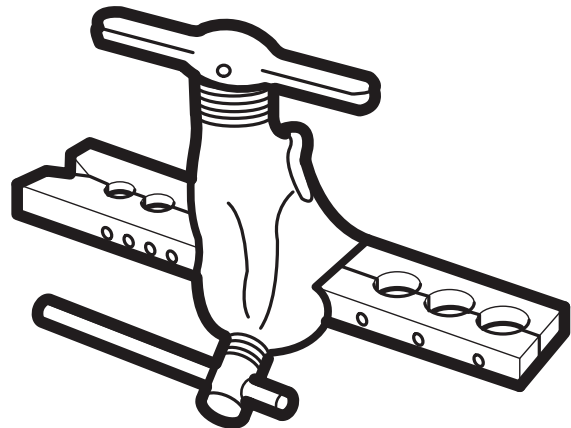


Fig. 5.4

PIPING EXTENSION BEYOND FLARE FORM

Outer Diameter of Pipe (mm)	A (mm)	
	Min.	Max.
Ø 6.35 (Ø 0.25")	0.7 (0.0275")	1.3 (0.05")
Ø 9.52 (Ø 0.375")	1.0 (0.04")	1.6 (0.063")
Ø12.7 (Ø 0.5")	1.0 (0.04")	1.8 (0.07")
Ø 16 (Ø 0.63")	2.0 (0.078")	2.2 (0.086")
Ø 19 (Ø 0.75")	2.0 (0.078")	2.4 (0.094")

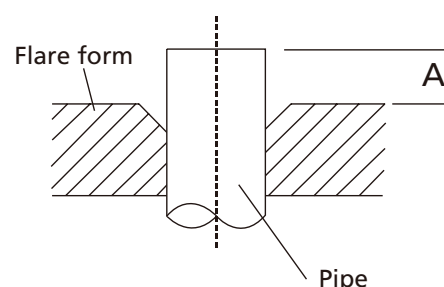


Fig. 5.5

6. Place flaring tool onto the form.
7. Turn the handle of the flaring tool clockwise until the pipe is fully flared.
8. Remove the flaring tool and flare form, then inspect the end of the pipe for cracks and even flaring.

Step 4: Connect pipes

When connecting refrigerant pipes, be careful not to use excessive torque or to deform the piping in any way. You should first connect the low-pressure pipe, then the high-pressure pipe.

MINIMUM BEND RADIUS

When bending connective refrigerant piping, the minimum bending radius is 10cm. See **Fig.5.6**

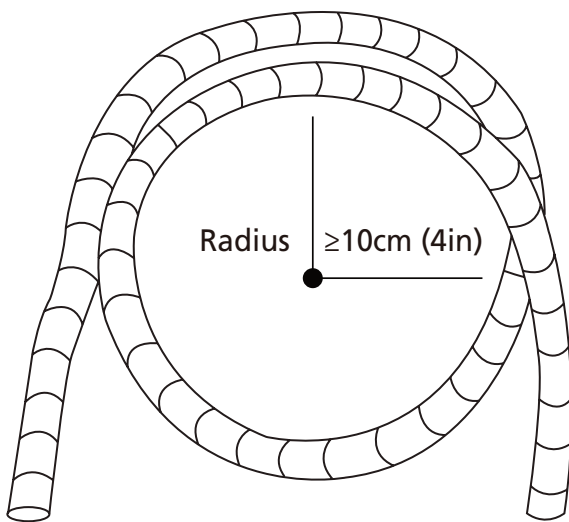


Fig. 5.6

Instructions for Connecting Piping to Indoor Unit

1. Align the center of the two pipes that you will connect. See **Fig. 5.7**.

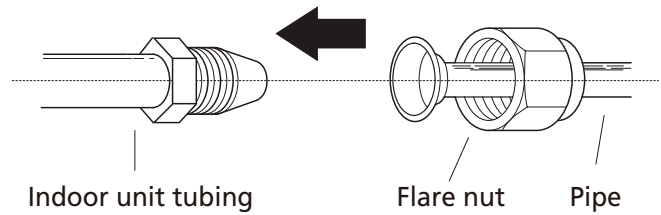


Fig. 5.7

2. Tighten the flare nut as tightly as possible by hand.
3. Using a spanner, grip the nut on the unit tubing.
4. While firmly gripping the nut on the unit tubing, use a torque wrench to tighten the flare nut according to the torque values in the **Torque Requirements** table below. Loosen the flaring nut slightly, then tighten again.

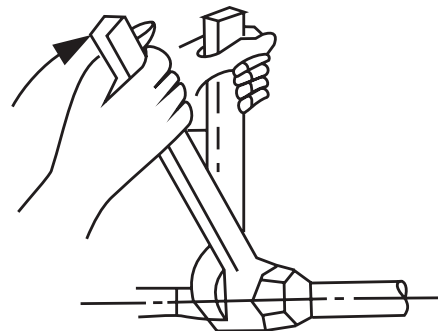


Fig. 5.8

TORQUE REQUIREMENTS

Outer Diameter of Pipe (mm)	Tightening Torque (N•cm)	Add. Tightening Torque (N•cm)
Ø 6.35 (Ø 0.25")	1,500 (11lb•ft)	1,600 (11.8lb•ft)
Ø 9.52 (Ø 0.375")	2,500 (18.4lb•ft)	2,600 (19.18lb•ft)
Ø 12.7 (Ø 0.5")	3,500 (25.8lb•ft)	3,600 (26.55lb•ft)
Ø 16 (Ø 0.63")	4,500 (33.19lb•ft)	4,700 (34.67lb•ft)
Ø 19 (Ø 0.75")	6,500 (47.94lb•ft)	6,700 (49.42lb•ft)

! DO NOT USE EXCESSIVE TORQUE

Excessive force can break the nut or damage the refrigerant piping. You must not exceed torque requirements shown in the table above.

Instructions for Connecting Piping to Outdoor Unit

1. Unscrew the cover from the packed valve on the side of the outdoor unit. (See **Fig. 5.9**)

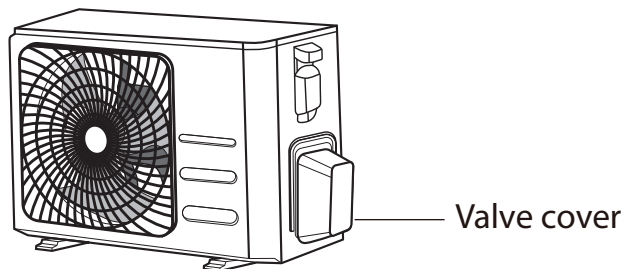


Fig. 5.9

2. Remove protective caps from ends of valves.
3. Align flared pipe end with each valve, and tighten the flare nut as tightly as possible by hand.
4. Using a spanner, grip the body of the valve. Do not grip the nut that seals the service valve. (See **Fig. 5.10**)

! USE SPANNER TO GRIP MAIN BODY OF VALVE

Torque from tightening the flare nut can snap off other parts of valve.

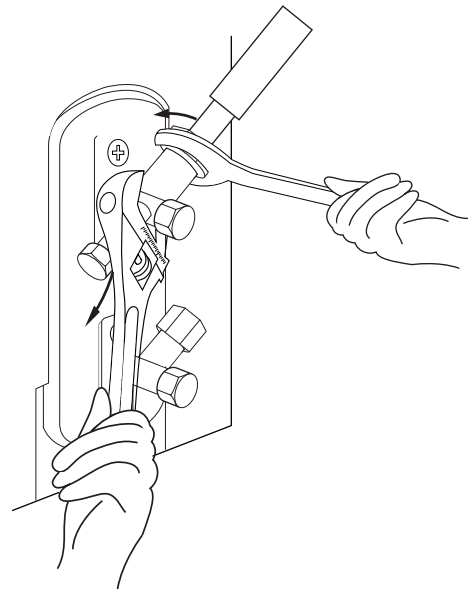
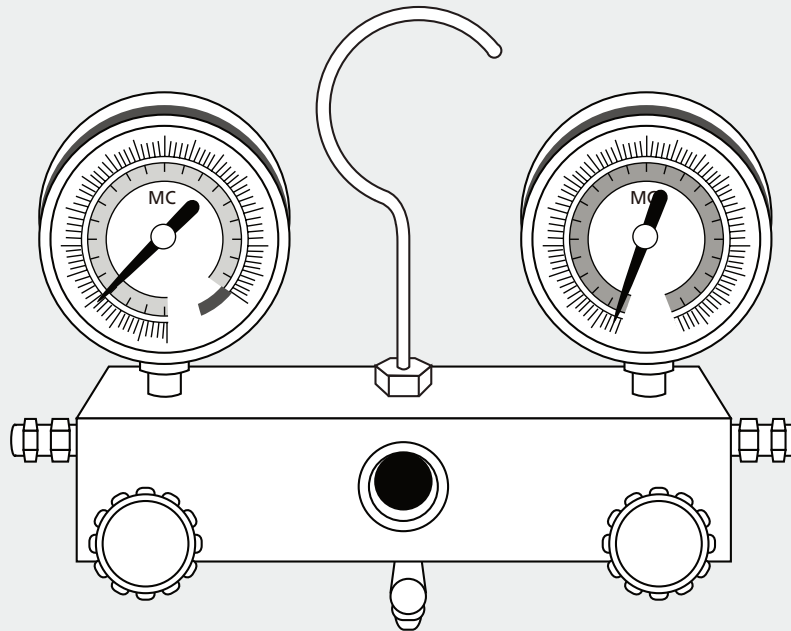


Fig. 5.10

5. While firmly gripping the body of the valve, use a torque wrench to tighten the flare nut according to the correct torque values.
6. Loosen the flaring nut slightly, then tighten again.
7. Repeat Steps 3 to 6 for the remaining pipe.



Preparations and Precautions

Air and foreign matter in the refrigerant circuit can cause abnormal rises in pressure, which can damage the air conditioner, reduce its efficiency, and cause injury. Use a vacuum pump and manifold gauge to evacuate the refrigerant circuit, removing any non-condensable gas and moisture from the system.

Evacuation should be performed upon initial installation and when unit is relocated.

BEFORE PERFORMING EVACUATION

- ☑ Check to make sure that both high-pressure and low-pressure pipes between the indoor and outdoor units are connected properly in accordance with the Refrigerant Piping Connection section of this manual.
- ☑ Check to make sure all wiring is connected properly.

Evacuation Instructions

Before using the manifold gauge and vacuum pump, read their operation manuals to familiarize yourself with how to use them properly.

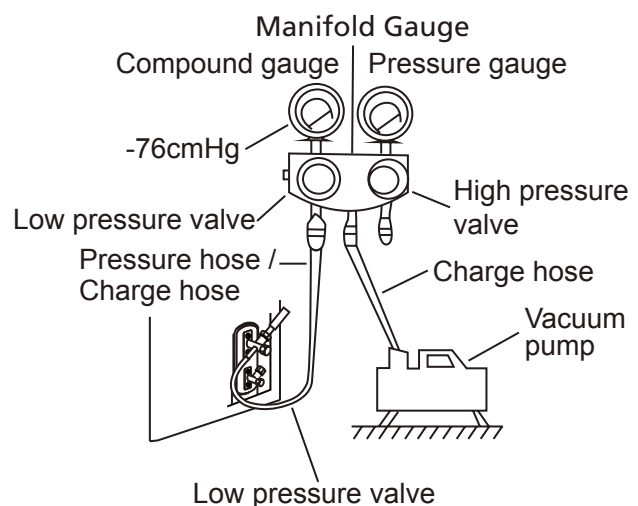
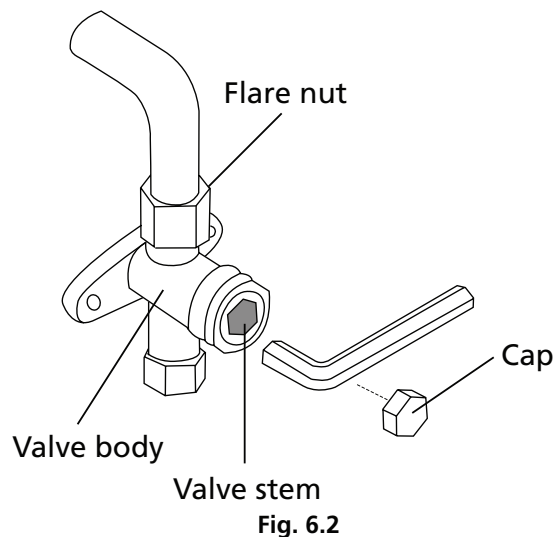


Fig. 6.1

1. Connect the charge hose of the manifold gauge to service port on the outdoor unit's low pressure valve.
2. Connect another charge hose from the manifold gauge to the vacuum pump.

3. Open the Low Pressure side of the manifold gauge. Keep the High Pressure side closed.
4. Turn on the vacuum pump to evacuate the system.
5. Run the vacuum for at least 15 minutes, or until the Compound Meter reads -76cmHG (-10⁵ Pa).
6. Close the Low Pressure side of the manifold gauge, and turn off the vacuum pump.
7. Wait for 5 minutes, then check that there has been no change in system pressure.
8. If there is a change in system pressure, refer to Gas Leak Check section for information on how to check for leaks. If there is no change in system pressure, unscrew the cap from the packed valve (high pressure valve).
9. Insert hexagonal wrench into the packed valve (high pressure valve) and open the valve by turning the wrench in a 1/4 counterclockwise turn. Listen for gas to exit the system, then close the valve after 5 seconds.
10. Watch the Pressure Gauge for one minute to make sure that there is no change in pressure. The Pressure Gauge should read slightly higher than atmospheric pressure.



- Fig. 6.2**
11. Remove the charge hose from the service port.
 12. Using hexagonal wrench, fully open both the high pressure and low pressure valves.
 13. Tighten valve caps on all three valves (service port, high pressure, low pressure) by hand. You may tighten it further using a torque wrench if needed.

! OPEN VALVE STEMS GENTLY

When opening valve stems, turn the hexagonal wrench until it hits against the stopper. Do not try to force the valve to open further.

Note on Adding Refrigerant

Some systems require additional charging depending on pipe lengths. The standard pipe length varies according to local regulations. For example, in North America, the standard pipe length is 7.5m (25'). In other areas, the standard pipe length is 5m (16'). The additional refrigerant to be charged can be calculated using the following formula:

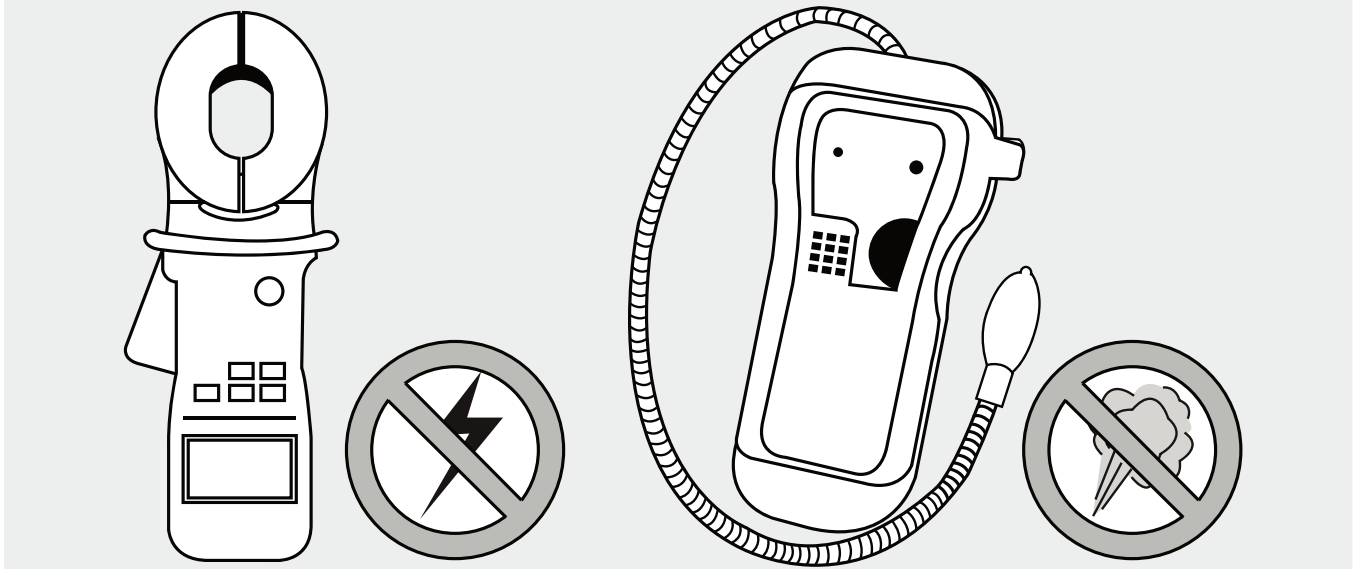
ADDITIONAL REFRIGERANT PER PIPE LENGTH

Connective Pipe Length (m)	Air Purging Method	Additional Refrigerant	
≤ Standard pipe length	Vacuum Pump	N/A	
> Standard pipe length	Vacuum Pump	Liquid Side: Ø 6.35 (ø 0.25") R22: (Pipe length – standard length) x 20g/m (Pipe length – standard length) x 0.21oz/ft Inverter R410A: (Pipe length – standard length) x 15g/m (Pipe length – standard length) x 0.16oz/ft Fixed-frequency R410A: (Pipe length – standard length) x 15g/m (Pipe length – standard length) x 0.16oz/ft	Liquid Side: Ø 9.52 (ø 0.375") R22: (Pipe length – standard length) x 40g/m (Pipe length – standard length) x 0.42oz/ft Inverter R410A: (Pipe length – standard length) x 30g/m (Pipe length – standard length) x 0.32oz/ft Fixed-frequency R410A: (Pipe length – standard length) x 30g/m (Pipe length – standard length) x 0.32oz/ft

! CAUTION

DO NOT mix refrigerant types.

Electrical and Gas Leak Checks



Electrical Safety Checks

After installation, confirm that all electrical wiring is installed in accordance with local and national regulations, and according to the Installation Manual.

BEFORE TEST RUN

Check Grounding Work

Measure grounding resistance by visual detection and with grounding resistance tester. Grounding resistance must be less than 0.1Ω .

Note: This may not be required for some locations in the US.

DURING TEST RUN

Check for Electrical Leakage

During the **Test Run**, use an electroprobe and multimeter to perform a comprehensive electrical leakage test.

If electrical leakage is detected, turn off the unit immediately and call a licensed electrician to find and resolve the cause of the leakage.

Note: This may not be required for some locations in the US.

WARNING – RISK OF ELECTRIC SHOCK

ALL WIRING MUST COMPLY WITH LOCAL AND NATIONAL ELECTRICAL CODES, AND MUST BE INSTALLED BY A LICENSED ELECTRICIAN.

Gas Leak Checks

There are two different methods to check for gas leaks.

Soap and Water Method

Using a soft brush, apply soapy water or liquid detergent to all pipe connection points on the indoor unit and outdoor unit. The presence of bubbles indicates a leak.

Leak Detector Method

If using leak detector, refer to the device's operation manual for proper usage instructions.

AFTER PERFORMING GAS LEAK CHECKS

After confirming that the all pipe connection points DO NOT leak, replace the valve cover on the outside unit.

Test Run

9

Before Test Run

Only perform test run after you have completed the following steps:

- **Electrical Safety Checks** – Confirm that the unit’s electrical system is safe and operating properly
- **Gas Leak Checks** – Check all flare nut connections and confirm that the system is not leaking
- Confirm that gas and liquid (high and low pressure) valves are fully open

Test Run Instructions

You should perform the **Test Run** for at least 30 minutes.

1. Connect power to the unit.
2. Press the **ON/OFF** button on the remote controller to turn it on.
3. Press the **MODE** button to scroll through the following functions, one at a time:
 - COOL – Select lowest possible temperature
 - HEAT – Select highest possible temperature
4. Let each function run for 5 minutes, and perform the following checks:

List of Checks to Perform	PASS/FAIL	
No electrical leakage		
Unit is properly grounded		
All electrical terminals properly covered		
Indoor and outdoor units are solidly installed		
All pipe connection points do not leak	Outdoor (2):	Indoor (2):
Water drains properly from drain hose		
All piping is properly insulated		
Unit performs COOL function properly		
Unit performs HEAT function properly		
Indoor unit louvers rotate properly		
Indoor unit responds to remote controller		

DOUBLE-CHECK PIPE CONNECTIONS

During operation, the pressure of the refrigerant circuit will increase. This may reveal leaks that were not present during your initial leak check. Take time during the Test Run to double-check that all refrigerant pipe connection points do not have leaks. Refer to **Gas Leak Check** section for instructions.

5. After the Test Run is successfully completed, and you confirm that all checks points in List of Checks to Perform have PASSED, do the following:
 - a. Using remote control, return unit to normal operating temperature.
 - b. Using insulation tape, wrap the indoor refrigerant pipe connections that you left uncovered during the indoor unit installation process.

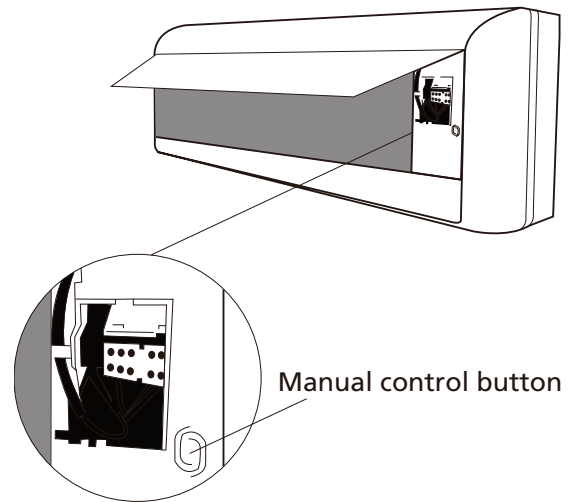


Fig. 8.1

IF AMBIENT TEMPERATURE IS BELOW 17°C (63°F)

You can't use the remote controller to turn on the COOL function when the ambient temperature is below 17°C. In this instance, you can use the **MANUAL CONTROL** button to test the COOL function.

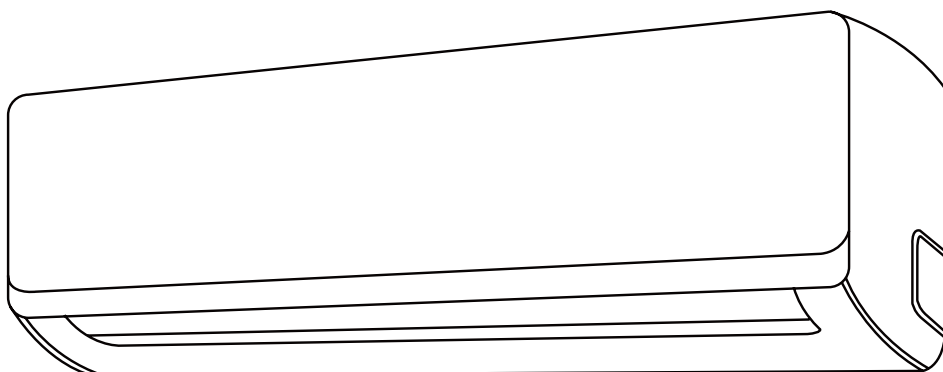
1. Lift the front panel of the indoor unit, and raise it until it clicks in place.
2. The **MANUAL CONTROL** button is located on the right-hand side of the unit. Press it 2 times to select the COOL function. See **Fig.8.1**
3. Perform Test Run as normal.

The design and specifications are subject to change without prior notice for product improvement. Consult with the sales agency or manufacturer for details.

**CS368I-AB
16122000002333
20171020**

Manuel d'installation

Tous les numéros de modèle



NOTE IMPORTANTE :

Nous vous remercions d'avoir acheté notre appareil. Avant d'installer ou d'utiliser ce produit, lisez attentivement ces instructions et conservez ce manuel pour consultation ultérieure.



Table des matières

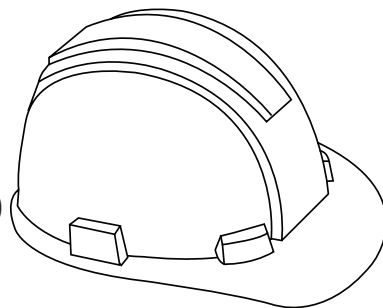
Manuel d'installation

0	Mesures de sécurité.....	4
----------	--------------------------	---

1	Accessoires.....	6
----------	------------------	---

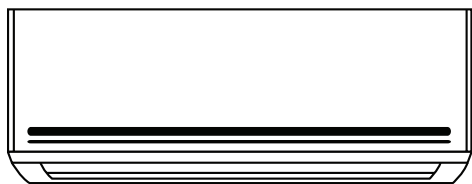
2	Aperçu de l'installation - Unité intérieure...	8
----------	--	---

3	Pièces de l'unité	10
----------	-------------------------	----



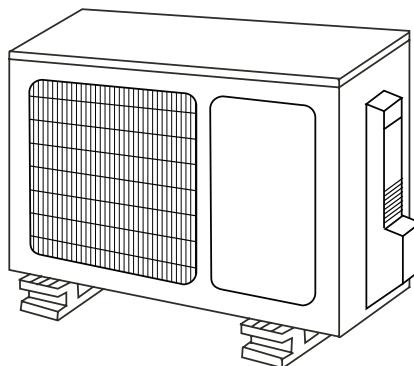
4	Installation de l'unité intérieure	11
----------	--	----

1. Choix du lieu d'installation..... 11
2. Fixer la plaque de montage au mur 12
3. Percer un trou dans le mur pour le tuyau de raccordement..... 12
4. Préparer la tuyauterie du réfrigérant 14
5. Raccorder le tuyau d'évacuation 15
6. Raccorder le câble du signal 17
7. Attacher les tuyaux et les câbles..... 18
8. Connexion du câble de signal 18
9. Mise en place de l'unité intérieure 18



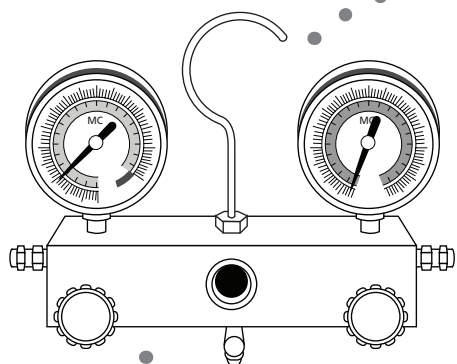
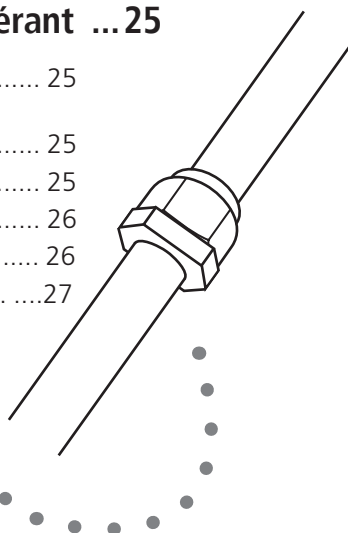
5	Installation de l'unité extérieure..	20
----------	--------------------------------------	----

1. Choix du lieu d'installation..... 20
2. Installer le raccord d'évacuation 21
3. Ancrage de l'unité extérieure 22
4. Connexion du câble de signal et du câble d'alimentation 23



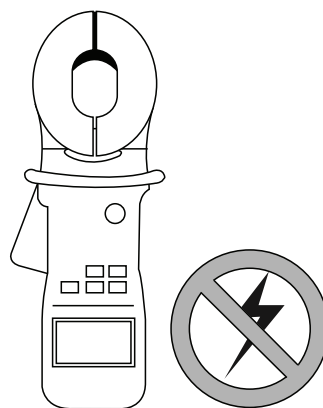
6 Raccordement de la tuyauterie de réfrigérant ...25

- A. Remarque concernant la longueur des tuyaux..... 25
- B. Instructions de raccordement – Tuyauterie de réfrigérant 25
 - 1. Découpe des tuyaux..... 25
 - 2. Élimination des ébarbures 26
 - 3. Évasement des extrémités du tuyau 26
 - 4. Raccordement des tuyaux.....27



7 Purge de l'air29

- 1. Instructions d'évacuation 29
- 2. Information sur l'ajout de réfrigérant..... 30



8 Vérification de fuites électriques et de gaz ...31

9 Séries de tests 32

Mesures de sécurité

Lisez les mesures de sécurité avant de procéder à l'installation.

Une mauvaise installation liée à l'omission d'instructions peut entraîner de graves dommages ou blessures. La gravité des dommages potentiels ou des blessures possibles est soulignée par le symbole **AVERTISSEMENT** ou **MISE EN GARDE**.



AVERTISSEMENT

Ce symbole indique un risque de danger mortel ou de graves blessures.



MISE EN GARDE

Ce symbole indique un risque de blessures ou de dégâts matériels.



Ce symbole indique que vous ne devez jamais effectuer ce qui est indiqué.



AVERTISSEMENT

- ⊘ **Ne modifiez pas** la longueur du cordon d'alimentation, et n'utilisez pas de rallonge électrique pour alimenter l'unité. **Ne partagez pas** la prise avec d'autres appareils. Une alimentation insuffisante ou inappropriée peut déclencher un incendie ou générer des décharges électriques.
 - ⊘ Lorsque vous raccordez la tuyauterie de réfrigérant, **ne laissez pas** de substances ou de gaz autres que le réfrigérant spécifié pénétrer l'unité. La présence d'autres gaz ou substances réduira la capacité de l'unité et pourra entraîner une pression anormalement élevée au cours du cycle de réfrigération. Cela peut provoquer une explosion et vous blesser.
 - ⊘ **Ne laissez pas** d'enfants jouer avec la thermopompe. Les enfants qui se trouvent autour de l'unité doivent en permanence être surveillés.
1. L'installation doit être effectuée par un distributeur ou un spécialiste agréé. Une installation défectueuse peut entraîner des fuites d'eau, des décharges électriques ou un incendie.
 2. L'installation doit être effectuée conformément aux instructions d'installation. Une mauvaise installation peut entraîner des fuites d'eau, des décharges électriques ou un incendie.
 3. Contactez un technicien d'entretien agréé pour réparer ou effectuer des opérations de maintenance sur cette unité.
 4. N'utilisez que les pièces, pièces spécifiées et accessoires inclus pour l'installation. L'utilisation de pièces non standard peut entraîner des fuites d'eau, des décharges électriques, un incendie et une défaillance de l'unité.
 5. Installez l'unité à un emplacement stable et solide, capable de supporter son poids. Si l'endroit choisi ne peut pas supporter le poids de l'unité, ou si l'installation n'est pas correctement effectuée, il est possible que l'unité tombe, ce qui pourrait entraîner de graves blessures et dommages.

AVERTISSEMENT

6. Pour tous les travaux électriques, respectez toutes les normes et réglementations locales et nationales concernant le câblage, ainsi que le manuel d'installation. Pour l'alimentation, vous devez utiliser un circuit indépendant et une seule prise. Ne branchez pas d'autres appareils sur cette prise. Les capacités électriques insuffisantes ou les défauts des travaux électriques peuvent entraîner des décharges électriques ou incendies.
7. Utilisez les câbles spécifiés pour tous les travaux électriques. Raccordez et serrez fermement les câbles pour éviter que des forces extérieures n'endommagent la borne. Les mauvais raccordements électriques peuvent entraîner une surchauffe et un incendie, mais aussi des décharges électriques.
8. Tout le câblage doit être organisé de manière appropriée pour garantir que le couvercle du tableau de contrôle puisse se refermer correctement. Si le couvercle du tableau de contrôle n'est pas correctement refermé, cela peut favoriser la corrosion, qui à son tour pourrait chauffer les points de raccordement de la borne, déclencher un incendie ou entraîner des décharges électriques.

MISE EN GARDE

- ⊗ Pour ce qui est des unités équipées d'un chauffage électrique auxiliaire, **ne les installez pas** à un mètre ou moins (3 pieds) des matériaux combustibles.
 - ⊗ **N'installez pas** l'unité dans un lieu susceptible d'être exposé à des fuites de gaz combustible. Si du gaz combustible s'accumule autour de l'unité, cela peut déclencher un incendie.
 - ⊗ **Ne faites pas fonctionner** votre thermopompe dans une pièce humide, par exemple, dans une salle de bain ou une buanderie. Une trop grande exposition à l'eau peut entraîner un court-circuit au niveau des composants électriques.
1. Le produit doit être correctement relié à la terre lors de l'installation, sinon il pourrait générer des décharges électriques.
 2. Installez la tuyauterie d'évacuation conformément aux instructions de ce manuel. Une mauvaise évacuation peut entraîner des dégâts des eaux affectant votre propriété ou vos biens.

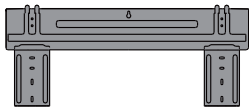




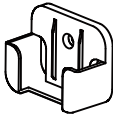
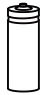


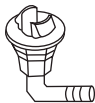
Remarque concernant les gaz fluorés

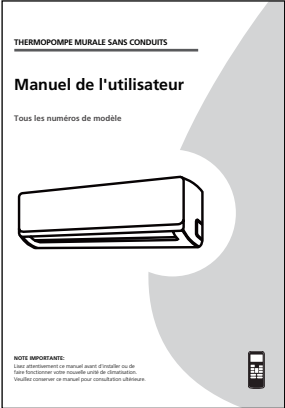
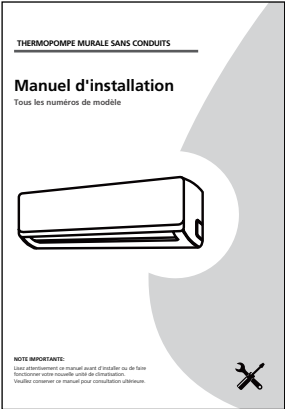

1. Cette thermopompe est un appareil hermétiquement scellé et contient des gaz fluorés. Pour plus d'informations sur ce type de gaz et sur sa quantité, veuillez vous reporter à l'étiquette signalétique apposée sur l'unité en elle-même.
2. L'installation, le service, l'entretien et la réparation de cet appareil doivent être effectués par un technicien agréé.
3. La désinstallation et le recyclage de l'appareil doivent être effectués par un technicien agréé.
4. Si l'appareil dispose d'un système de détection des fuites, l'absence de fuites doit être vérifiée au moins tous les douze mois.
5. Il est fortement recommandé d'entretenir un registre des vérifications des fuites.

Accessoires

1

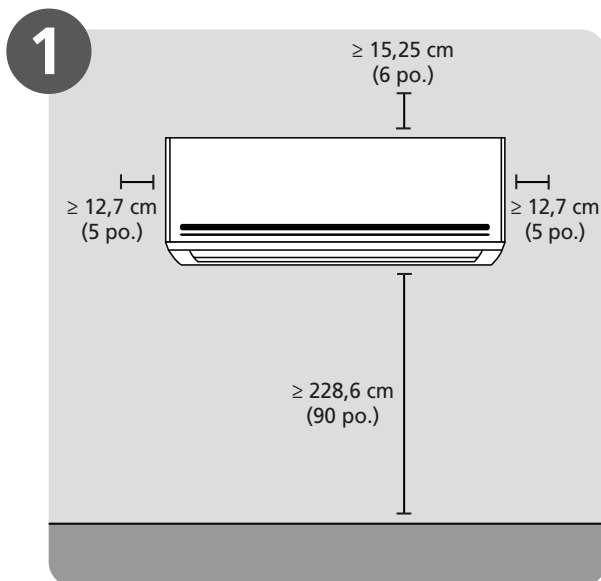
La thermopompe est fournie avec les accessoires suivants. Utilisez la totalité des pièces et accessoires d'installation afin d'installer la thermopompe. Une installation inadéquate peut provoquer une fuite d'eau, une électrocution, un incendie ou un dysfonctionnement de l'équipement.

Nom	Description	Quantité	
Plaque de montage		1	
Douille d'ancrage		5	
Vis de fixation de la plaque de montage ST3.9 X 25		5	
Télécommande		1	
Vis de fixation pour le support de la télécommande ST2.9 x 10		2	Pièces en option
Support de la télécommande		1	
Pile sèche AAA.LR03		2	
Filtre rafraîchisseur d'air		1	
Anneau d'étanchéité		1	(seulement pour les modèles de climatisation et de chauffage)
Raccord d'évacuation			

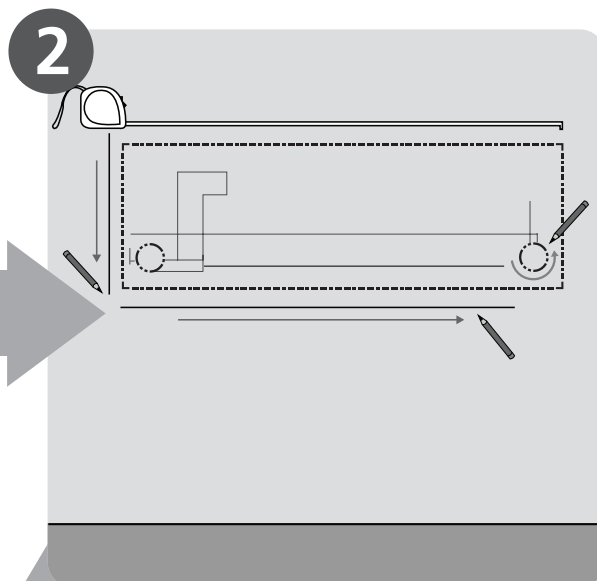
Nom	Description	Quantité
<p>Manuel de l'utilisateur</p>		<p>1</p>
<p>Manuel d'installation</p>		<p>1</p>
<p>Manuel de la télécommande</p>		<p>1</p>

Aperçu de l'installation - Unité intérieure

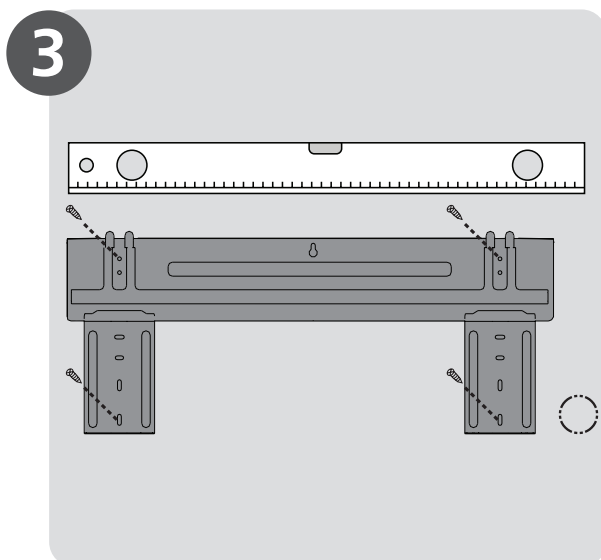
2



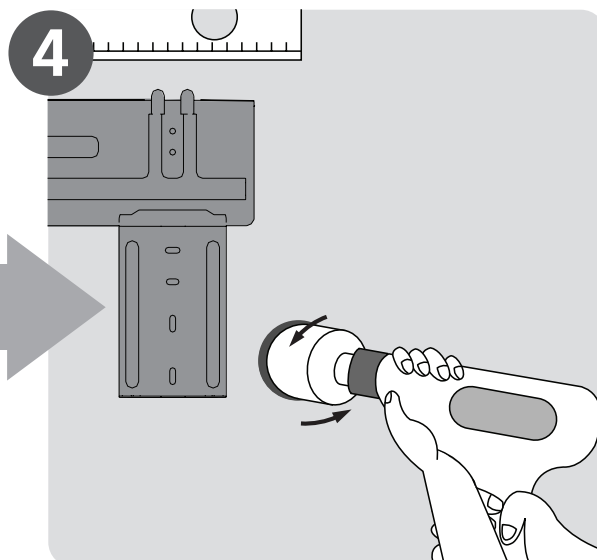
Choisissez l'emplacement
(Page 9)



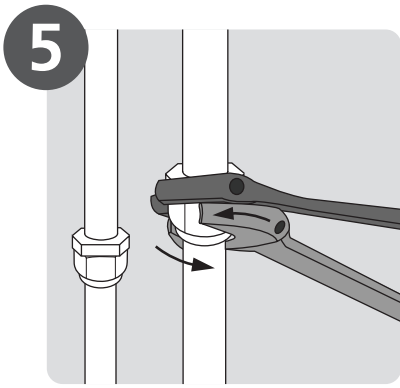
Déterminez le positionnement des
trous sur le mur
(Page 10)



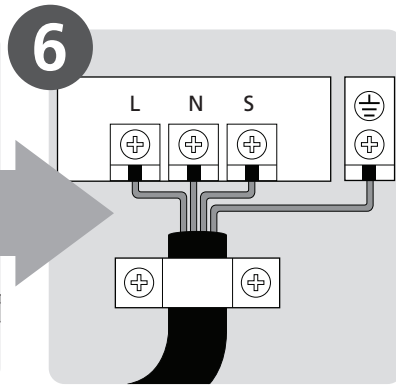
Fixez la plaque de montage
(Page 10)



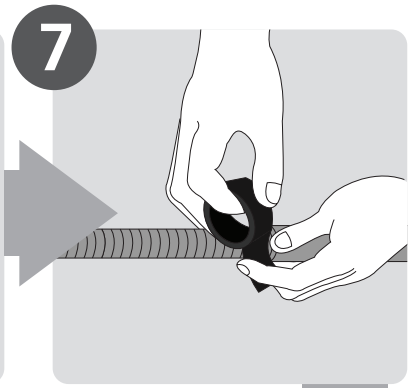
Percez le trou dans le mur
(Page 10)



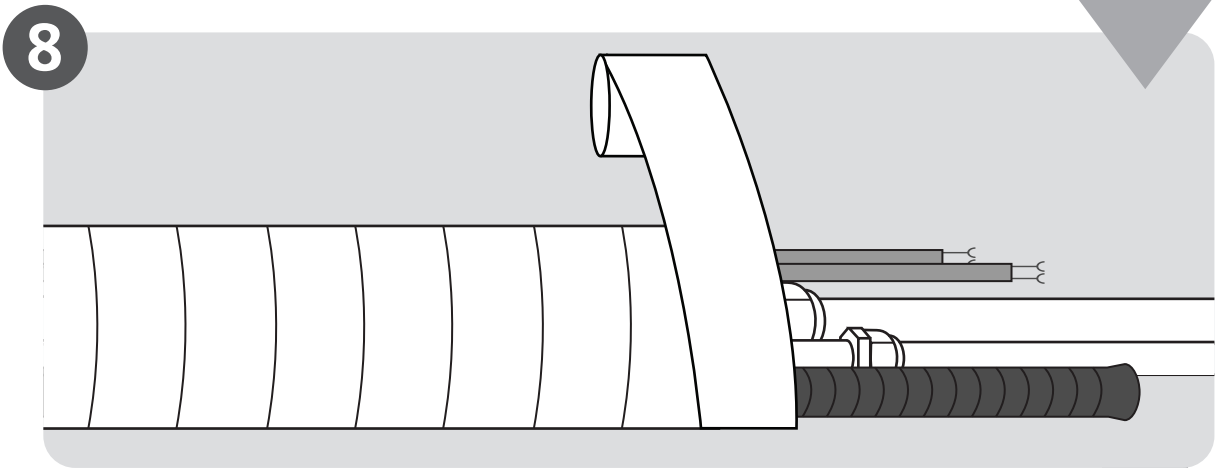
5
Raccordez la tuyauterie
(Page 23)



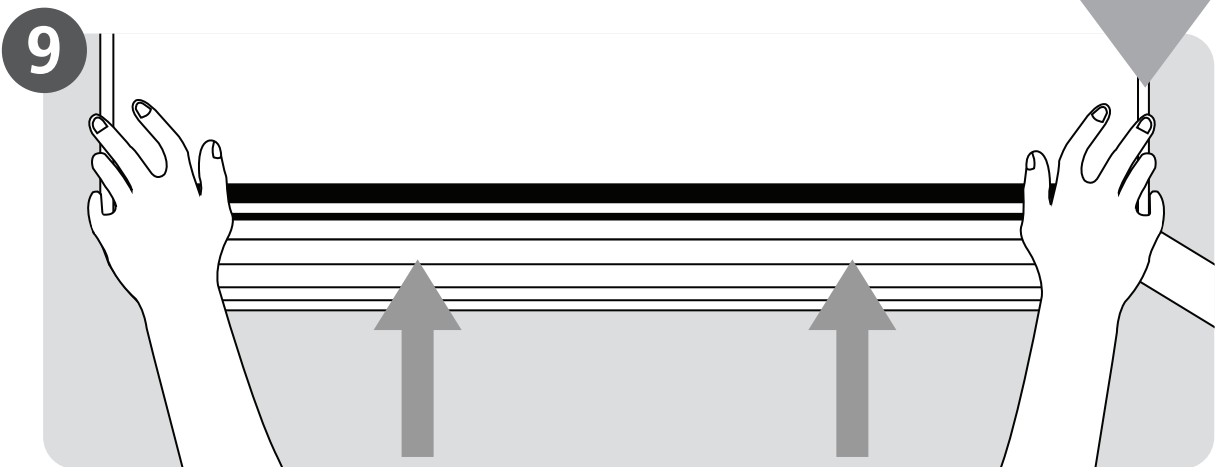
6
Branchez le câblage (Page
15)



7
Préparez le tuyau
d'évacuation
(Page 12)



8
Enveloppez la tuyauterie et le câble (Page 16)



9
Installez l'unité intérieure (Page 16)

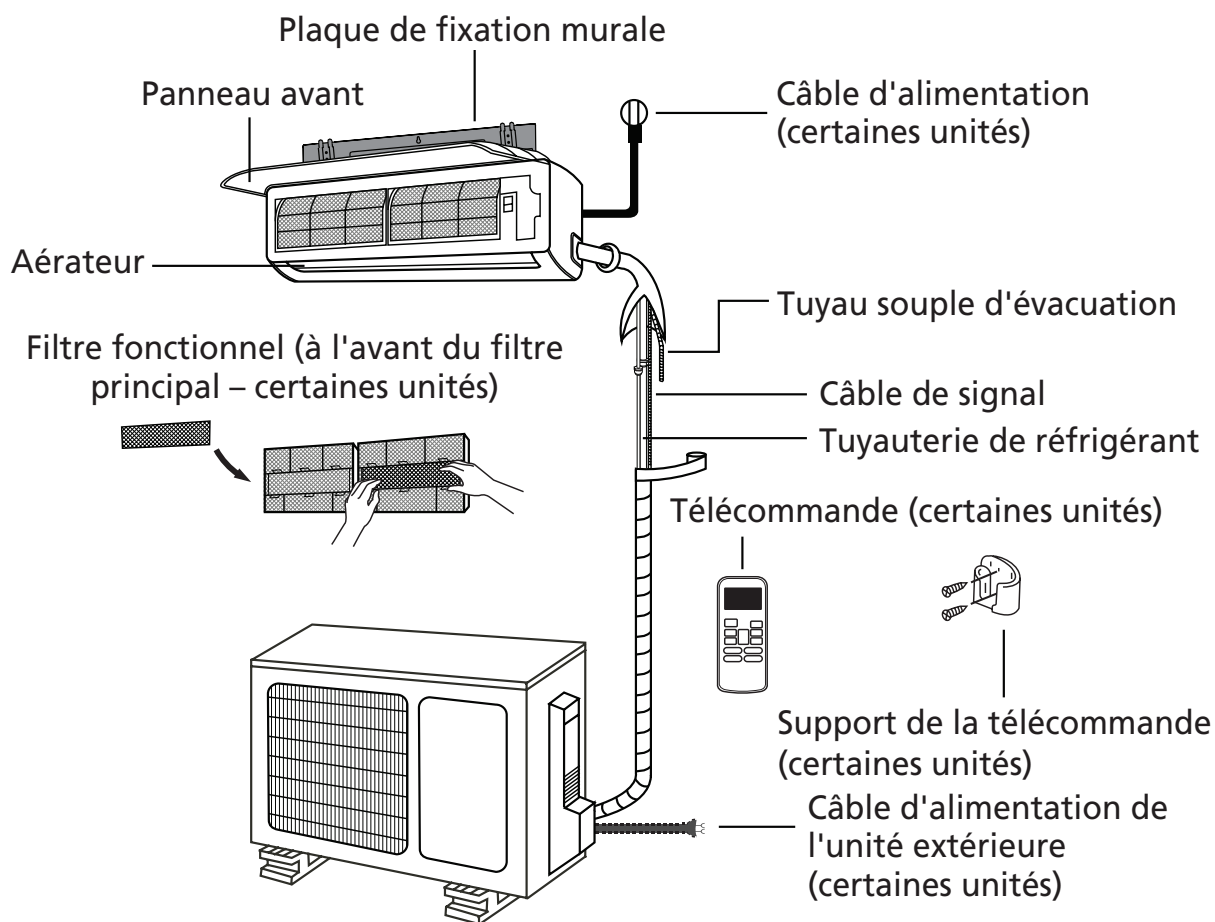


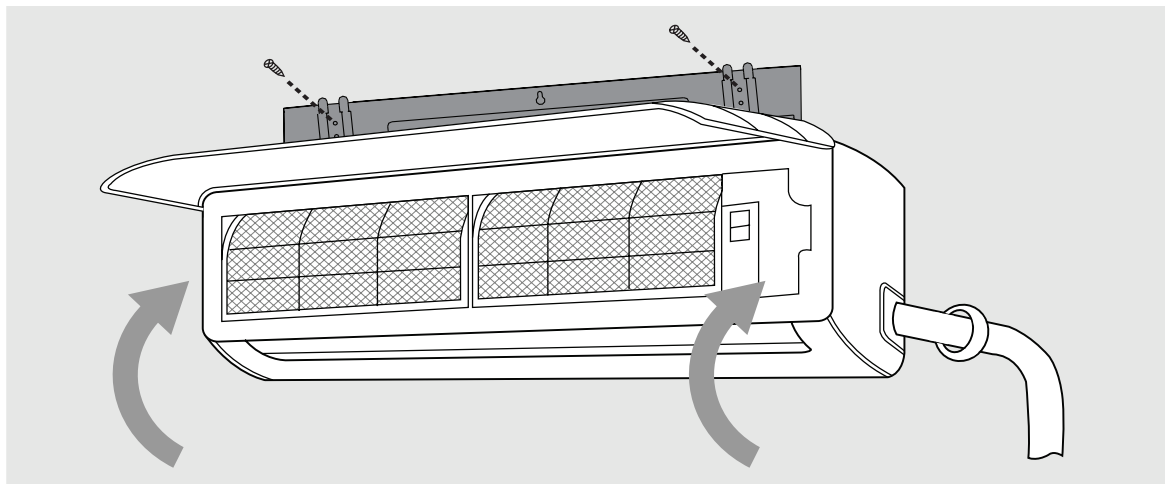
Fig. 2.1

REMARQUES CONCERNANT LES ILLUSTRATIONS

Les illustrations dans ce manuel sont à titre indicatif. La forme exacte de votre unité intérieure peut-être légèrement différente. La forme réelle prévaut.

Installation de l'unité intérieure

4



Instructions d'installation – Unité intérieure

AVANT L'INSTALLATION

Avant d'installer l'unité intérieure, reportez-vous à l'étiquette figurant sur la boîte du produit pour vous assurer que le numéro de modèle de l'unité intérieure correspond à celui de l'unité extérieure.

Étape 1 : Choix du lieu d'installation

Avant d'installer l'unité intérieure, vous devez choisir un lieu approprié. Voici les normes qui vous aideront à choisir le lieu approprié à l'unité.

Les lieux d'installation appropriés respectent les normes suivantes :

- ☑ bonne circulation d'air ;
- ☑ évacuation adéquate ;
- ☑ le bruit de l'unité ne dérangera pas d'autres personnes ;
- ☑ stable et solide : l'emplacement d'installation ne vibrera pas ;
- ☑ solidité suffisante pour supporter le poids de l'unité ;
- ☑ au moins à un mètre de tous les autres appareils électriques (p. ex. des téléviseurs, postes de radio, ordinateurs, etc.).

N'installez PAS l'unité dans les lieux suivants :

- ⊘ à proximité d'une source de chaleur, de vapeur ou de gaz combustible ;
- ⊘ à proximité d'éléments inflammables, par exemple, des rideaux ou du linge ;
- ⊘ à proximité d'un obstacle susceptible de bloquer la circulation d'air ;
- ⊘ à proximité d'une porte d'entrée ;
- ⊘ dans un lieu directement exposée à la lumière du soleil.

REMARQUE CONCERNANT LES TROUS DANS LE MUR :

Si la tuyauterie de réfrigérant n'est pas fixe :

Lorsque vous choisissez le lieu d'installation, veillez à ce qu'il y ait suffisamment d'espace pour percer le trou dans le mur (voir l'étape **Percer un trou dans le mur pour le tuyau de raccordement**) et y faire passer le câble de signal et la tuyauterie de raccordement reliant l'unité intérieure et l'unité extérieure.

L'ensemble de la tuyauterie se place par défaut à droite de l'unité intérieure (lorsque vous faites face à l'unité). La tuyauterie peut cependant également être placée à gauche de l'unité.

Reportez-vous au schéma suivant pour vous assurer que la distance séparant l'unité des murs et du plafond est appropriée :

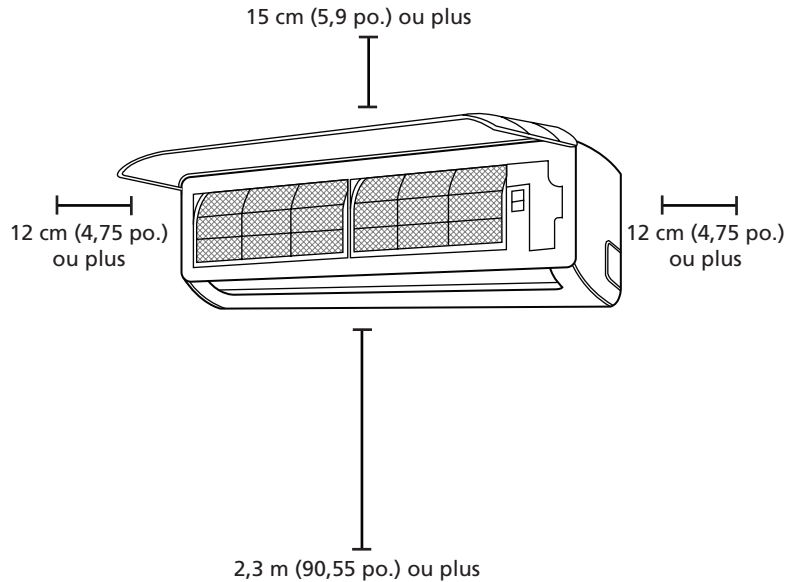


Fig. 3.1

Étape 2 : Fixer la plaque de montage au mur

La plaque de montage permet d'installer l'unité intérieure au mur.

1. Retirez la vis fixant la plaque de montage à l'arrière de l'unité intérieure.
2. Placez la plaque de montage contre le mur, à un endroit respectant les normes de l'étape **Choix du lieu d'installation**. (Voir **Dimensions de la plaque de fixation** pour obtenir des informations détaillées sur les dimensions de la plaque de montage.)
3. Percez des trous pour les vis de fixation à des endroits qui :
 - Comportent des éléments de charpente capables de supporter le poids de l'unité ;
 - Correspondent aux trous de vis de la plaque de montage.
4. Vissez la plaque de montage au mur avec les vis fournies.
5. Assurez-vous que la plaque de montage est bien à plat contre le mur.

REMARQUE CONCERNANT LES MURS EN BÉTON OU EN BRIQUES :

Si le mur est en brique, en béton ou autre matériau similaire, percez des trous de 5 mm de diamètre (0,2 pouce) dans le mur et insérez-y les douilles d'ancrage fournies. Fixez ensuite la plaque au mur en serrant les vis directement sur les douilles.

Étape 3 : perçage d'un trou dans le mur pour la tuyauterie de raccordement

Vous devez percer un trou dans le mur pour la tuyauterie de réfrigérant, la conduite d'évacuation, et le câble de signal qui raccorderont l'unité intérieure et l'unité extérieure.

1. Déterminez l'emplacement du trou dans le mur en fonction de l'emplacement de la plaque de fixation. Reportez-vous à la section **Dimensions de la plaque de montage** de la page suivante qui vous aidera à déterminer l'emplacement optimal. Le trou du mur devrait être à au moins 65 cm (25,5 pouces) de la paroi de l'unité, et à un angle légèrement plus descendant pour faciliter l'évacuation.
2. À l'aide d'un foret aléiseur de 65 mm (2,5 pouces), percez un trou dans le mur. Assurez-vous de percer le trou en respectant un angle légèrement descendant, de manière à ce que l'extrémité extérieure du tuyau se

situé plus bas d'environ 5 à 7 mm (0,2 à 0,275 pouce) que l'extrémité intérieure. Cela garantira une bonne évacuation de l'eau. (Voir **Fig. 3.2**).

- Placez le manchon de protection dans le trou. Ce dernier protège les bords du trou et contribuera à l'étanchéité une fois que vous aurez terminé le processus d'installation.

! MISE EN GARDE

Pendant le perçage du trou dans le mur, veillez à éviter les fils, la plomberie et tout autre élément sensible.

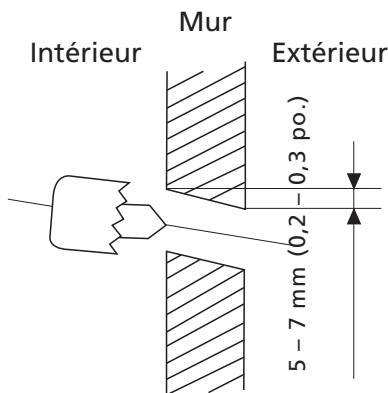


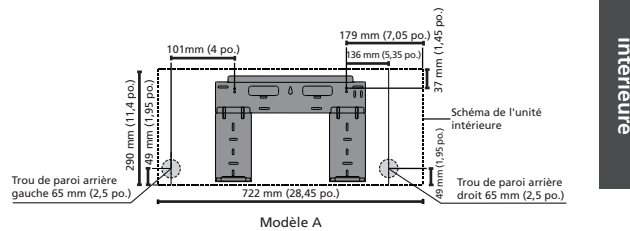
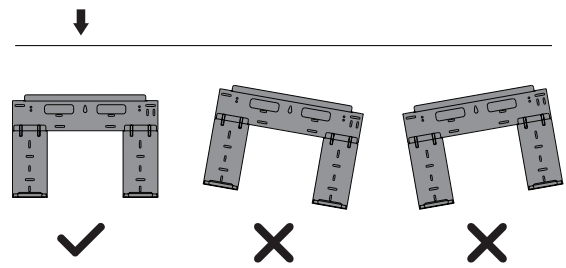
Fig. 3.2

DIMENSIONS DE LA PLAQUE DE MONTAGE

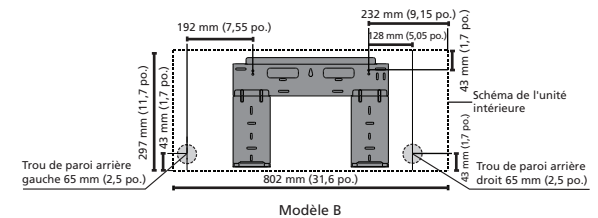
Différentes plaques de montage correspondent aux différents modèles. Pour vous assurer que vous disposez de suffisamment d'espace pour installer l'unité intérieure, les schémas de droite vous montrent les différents types de plaques de montage ainsi que leurs dimensions :

- Largeur de la plaque de montage
- Hauteur de la plaque de montage
- Largeur de l'unité intérieure par rapport à la plaque
- Hauteur de l'unité intérieure par rapport à la plaque
- Emplacement recommandé pour le trou dans le mur (à gauche ou à droite de la plaque)
- Distances relatives entre les trous des vis

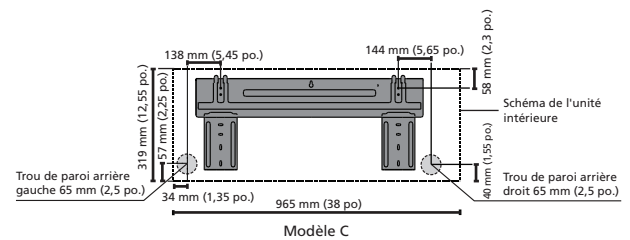
Orientation correcte de la plaque de montage



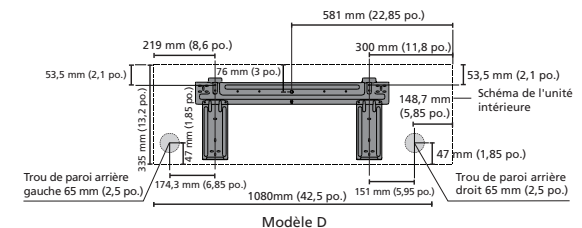
Modèle A



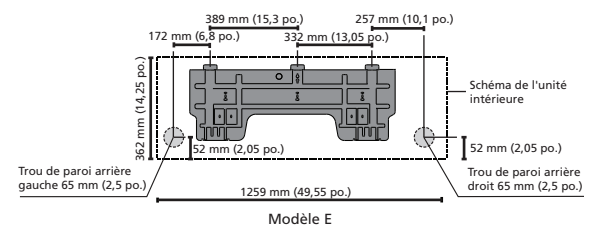
Modèle B



Modèle C



Modèle D

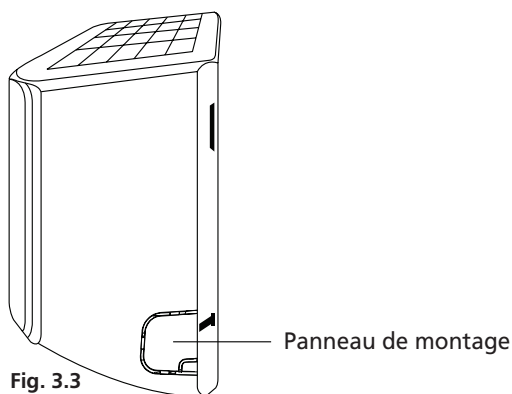


Modèle E

Étape 4 : Préparer la tuyauterie du réfrigérant

La tuyauterie du réfrigérant est à l'intérieur d'une manche isolante attachée à l'arrière de l'unité. Vous devez préparer la tuyauterie avant de la faire passer par le trou du mur. Référez-vous à la section **Raccorder la tuyauterie du réfrigérant** de ce manuel pour obtenir des instructions détaillées sur les exigences d'évasement de conduite et de couple de serrage pour l'évasement, sur la technique à employer, etc.

1. En vous basant sur la position du trou du mur par rapport à la plaque de montage, choisissez le côté par lequel la tuyauterie sortira de l'unité.
2. Si le trou du mur se trouve derrière l'unité, laissez le panneau amovible en place. Si le trou se trouve au niveau de l'un des côtés de l'unité intérieure, retirez le panneau amovible de plastique de ce côté de l'unité. (Voir **Fig. 3.3**). De cette manière, une fente par laquelle votre tuyauterie pourra sortir de l'unité apparaîtra. Utilisez une pince à bec effilé si le panneau de plastique est trop difficile à retirer à la main.
3. Utilisez des ciseaux pour découper la longueur de la manche isolante afin de faire apparaître environ 15 cm (6 pouces) de tuyauterie de réfrigérant. Ceci permet de :
 - Faciliter le processus de **raccordement de la tuyauterie de réfrigérant** ;
 - Faciliter les vérifications à la recherche de fuite de gaz et vous permettre de rechercher les bosses.
4. Si une tuyauterie de raccordement est actuellement déjà intégrée au mur, passez directement à l'étape **Raccorder le tuyau d'évacuation**. S'il n'y a pas encore de tuyauterie intégrée au mur, raccordez la tuyauterie de réfrigérant de l'unité intérieure à la tuyauterie de raccordement qui reliera l'unité intérieure à l'unité extérieure. Reportez-vous à la section **Raccorder la tuyauterie de réfrigérant** de ce manuel pour obtenir des instructions détaillées.
5. En vous basant sur la position du trou du mur par rapport à la plaque de fixation, déterminez l'angle nécessaire à votre tuyauterie.
6. Emparez-vous de la tuyauterie de réfrigérant par la base du coude.
7. Coudez la tuyauterie vers le trou en appliquant lentement une pression régulière. **Ne bossez pas et n'endommagez pas** la tuyauterie au cours de ce processus.



REMARQUE CONCERNANT L'ANGLE DE LA TUYAUTERIE

La tuyauterie de réfrigérant peut sortir de l'unité intérieure sous quatre angles différents :

- Partie gauche ;
- Arrière gauche ;
- Partie droite ;
- Arrière droite.

Reportez-vous à la **Fig. 3.4** pour obtenir des détails.

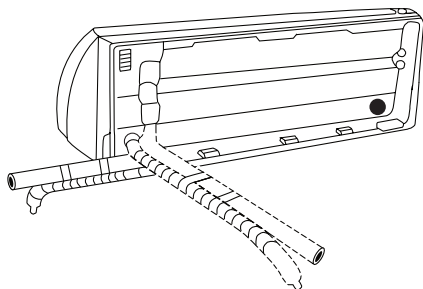
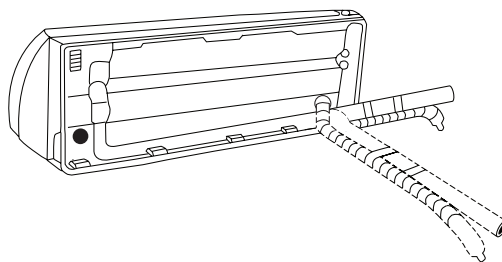


Fig. 3.4



! MISE EN GARDE

Soyez extrêmement prudent : ne bossez pas et n'endommagez pas la conduite en la couplant vers l'extérieur de l'unité. Toutes les bosses de la conduite affecteront le fonctionnement de l'unité.

Étape 5 : Raccorder le tuyau d'évacuation

Par défaut, le tuyau d'évacuation se raccorde au côté gauche de l'unité (lorsque vous faites face à l'arrière de l'unité). Il peut cependant être raccordé au côté droit.

1. Pour garantir une bonne évacuation, raccordez le tuyau d'évacuation au côté par lequel votre tuyau de réfrigérant sort de l'unité.
2. Fixez le raccord de tuyau d'évacuation (acheté séparément) à l'extrémité du tuyau d'évacuation.
3. Enroulez fermement un ruban de téflon autour du point de raccordement pour garantir une bonne étanchéité et empêcher les fuites.
4. Pour ce qui est de la portion de tuyau d'évacuation qui restera à l'intérieur du bâtiment, enveloppez-la d'une pousse isolante pour conduites afin d'empêcher la condensation.
5. Retirez le filtre à air et versez une petite quantité d'eau dans l'entonnoir d'évacuation pour vous assurer que l'eau s'écoule régulièrement hors de l'unité.

REMARQUE CONCERNANT LE TUYAU D'ÉVACUATION

Assurez-vous de placer le tuyau d'évacuation tel qu'illustré sur la **Fig. 3.5**.

- ⊘ **N'entortillez PAS** le tuyau d'évacuation.
- ⊘ **NE créez PAS** de piège à eau.
- ⊘ **NE placez PAS** l'extrémité du tuyau d'évacuation dans de l'eau ou dans un récipient qui recueillerait l'eau.

REBOUCHAGE DU TROU D'ÉVACUATION INUTILISÉ

Pour éviter les fuites indésirables, vous devez reboucher le trou d'évacuation inutilisé avec le bouchon de caoutchouc fourni.

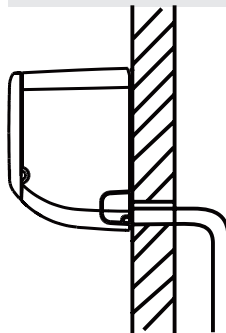


Fig. 3.5

CORRECT

Assurez-vous que le tuyau d'évacuation ne présente aucune bosse ou aucun entortillement pour garantir une bonne évacuation.



INCORRECT

Les entortillements du tuyau d'évacuation créeront des pièges à eau.

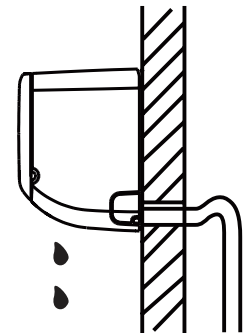


Fig. 3.6

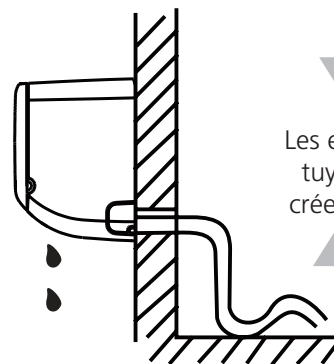


Fig. 3.7

INCORRECT

Les entortillements du tuyau d'évacuation créeront des pièges à eau.

INCORRECT

Ne placez pas l'extrémité du tuyau d'évacuation dans de l'eau ou des récipients qui recueilleraient l'eau. Cela empêcherait la bonne évacuation.

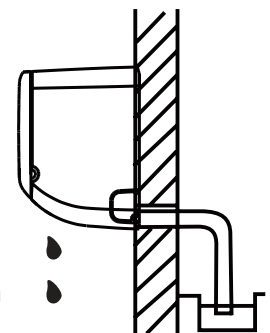


Fig. 3.8



LISEZ CES RÉGLEMENTATIONS AVANT D'EFFECTUER TOUT TRAVAIL ÉLECTRIQUE

1. Tout le câblage doit être effectué en conformité avec les réglementations locales et nationales et doit être réalisé par un électricien certifié.
2. Toutes les connexions électriques doivent être effectués conformément au Schéma de raccordement électrique figurant sur les panneaux des unités intérieure et extérieure.
3. Si vous rencontrez un grave problème de sécurité avec l'alimentation, arrêtez immédiatement de travailler. Expliquez votre raisonnement au client, et refusez d'installer l'unité tant que le problème de sécurité n'est pas correctement résolu.
4. La tension électrique devrait représenter 90 à 100 % de la tension nominale. Une alimentation électrique insuffisante peut provoquer un dysfonctionnement, une électrocution ou un incendie.
5. Si vous raccordez l'alimentation à un câblage fixe, installez une protection contre les surtensions et un interrupteur d'alimentation principal d'une capacité 1,5 fois supérieure à l'intensité maximale de l'unité.
6. Si vous raccordez l'alimentation à un câblage fixe, un interrupteur ou un disjoncteur déconnectant tous les pôles doit être intégré au câblage fixe. Ce dispositif doit être séparé des contacts d'au moins 3 mm (1/8 pouce). Le technicien qualifié doit utiliser un interrupteur ou disjoncteur approuvé.
7. Ne raccordez l'unité qu'à une prise du circuit de dérivation individuel. Ne branchez pas d'autres appareils sur cette prise.
8. Assurez-vous d'avoir correctement relié la thermopompe à la terre.
9. Tous les câbles doivent être fermement raccordés. Les câbles lâches peuvent entraîner une surchauffe de la borne, ce qui peut à son tour entraîner dysfonctionnement du produit et un éventuel incendie.
10. Ne laissez pas les câbles toucher ou reposer sur la tubulure de réfrigérant, le compresseur ou toute autre pièce mobile de l'unité.
11. Si l'unité est équipée d'un chauffage électrique auxiliaire, elle doit être installée à au moins 1 mètre (40 pouces) de tout matériau combustible.



AVERTISSEMENT

AVANT D'EFFECTUER TOUTE INTERVENTION ÉLECTRIQUE OU DE CÂBLAGE, COUPEZ L'ALIMENTATION PRINCIPALE DU SYSTÈME.

Étape 6 : Connexion du câble de signal

Le câble de signal permet la communication entre l'unité intérieure et l'unité extérieure. Vous devez d'abord choisir la taille de câble appropriée avant de le préparer pour le raccordement.

Types de câble

- **Câble d'alimentation intérieur** (le cas échéant) : H05VV-F or H05V2V2-F
- **Câble d'alimentation extérieur** : H07RN-F
- **Câble de signal** : H07RN-F

Superficie minimale de section entre le câble d'alimentation et le câble de signal

Amérique du Nord

Intensité nominale de l'appareil (A)	AWG
≤ 7	14
7 - 13	14
13 - 18	12
18 - 25	10
25 - 30	10

Autres régions

Intensité nominale de l'appareil (A)	Section nominale (mm ²)
> 3 et ≤ 6	0,75
> 6 et ≤ 10	1
> 10 et ≤ 16	1,5
> 16 et ≤ 25	2,5
> 25 et ≤ 32	4
> 32 et ≤ 40	6

CHOIX DE LA BONNE TAILLE DE CÂBLE

La taille nécessaire pour le câble d'alimentation, le câble de signal, le fusible et l'interrupteur se détermine en fonction de l'intensité maximale de l'unité. L'intensité maximale est indiquée sur la plaque d'identification située sur le panneau latéral de l'unité. Reportez-vous à cette plaque pour choisir le bon câble, le bon fusible ou le bon interrupteur.

NOTER LES CARACTÉRISTIQUES DU FUSIBLE

Le circuit imprimé du climatiseur (PCB) est muni d'un fusible offrant une protection contre les surtensions. Les caractéristiques de ce fusible sont imprimées sur le circuit, par exemple : T3.15A/250VAC, T5A/250VAC, etc.

1. Préparation du câble pour le raccordement :
 - a. À l'aide d'une pince à dénuder, retirez la garniture de caoutchouc des deux extrémités du câble de signal pour faire apparaître environ 15 cm (6 pouces) des fils qu'elle renferme.
 - b. Dénudez l'isolation des extrémités des fils.
 - c. À l'aide d'une pince à sertir, sertissez des cosse en U aux extrémités des fils.

ACCORDEZ UNE ATTENTION PARTICULIÈRE AU FIL SOUS TENSION

Lorsque vous sertissez les fils, assurez-vous de bien distinguer le fil sous tension (« L ») des autres fils.

2. Ouvrez le panneau avant de l'unité intérieure.
3. À l'aide d'un tournevis, ouvrez le couvercle du boîtier de câblage situé du côté droit de l'unité. Vous ferez ainsi apparaître le bornier.

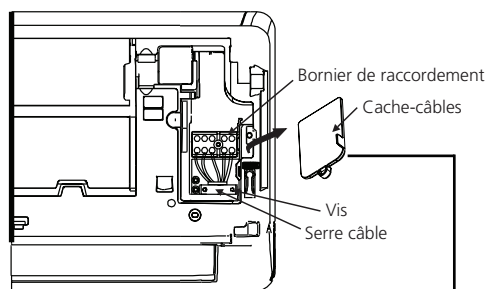


Fig. 3.9

Schéma de câblage qui se trouve dans le boîtier de câblage de l'unité intérieure.

⚠ AVERTISSEMENT

TOUT LE CÂBLAGE DOIT ÊTRE EFFECTUÉ DANS LE STRICT RESPECT DU SCHÉMA DE CÂBLAGE QUI SE TROUVE DANS LE CACHE-FILS DE L'UNITÉ INTÉRIEURE.

4. Dévissez le serre-câble qui se trouve sous le bornier et placez-le sur le côté.

5. En faisant face à l'arrière de l'unité, retirez le panneau de plastique qui se situe en bas à gauche.
6. Faites passer le câble de signal par cette fente, de l'arrière de l'unité jusqu'à l'avant.
7. En faisant face à l'avant de l'unité, associez les fils en vous fiant aux étiquettes du bornier, connectez la cosse en U, puis vissez chacun des fils sur la borne qui lui correspond.

! MISE EN GARDE

NE CONFONDEZ PAS LE FIL SOUS TENSION ET LE FIL NEUTRE

Cela serait dangereux et pourrait entraîner un dysfonctionnement de l'unité de climatisation.

8. Après avoir vérifié que tous les raccordements sont bien en place, utilisez le serre-câble pour fixer le câble de signal à l'unité. Vissez fermement le serre-câble.
9. Remettez le cache-fils en place à l'avant de l'unité et le panneau de plastique à l'arrière.

! REMARQUE CONCERNANT LE CÂBLAGE

LE PROCESSUS DE RACCORDEMENT DU CÂBLAGE PEUT ÊTRE LÉGÈREMENT DIFFÉRENT SELON LES UNITÉS.

Étape 7 : Enveloppement de la tuyauterie et du câble

Avant de faire passer la tuyauterie de réfrigérant, le tuyau d'évacuation et le câble de signal par le trou du mur, vous devez les réunir pour gagner de la place, les protéger et les isoler.

1. Réunissez le tuyau d'évacuation, le tuyau de réfrigérant et le câble de signal comme illustré sur la **Fig. 3.12**.

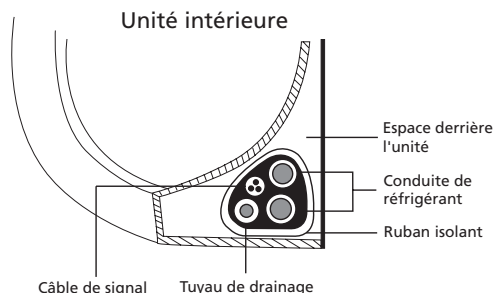


Fig. 3.12

LE TUYAU D'ÉVACUATION DOIT SE TROUVER EN DESSOUS

Assurez-vous que le tuyau d'évacuation se trouve tout en dessous du lot constitué. Placer le tuyau d'évacuation sur le dessus de ce lot pourrait entraîner un débordement de l'entonnoir d'évacuation, qui à son tour entraînerait un incendie ou des dégâts des eaux.

N'ENTRECROISEZ PAS LE CÂBLE DE SIGNAL ET D'AUTRES CÂBLES

Lorsque vous réunissez ces éléments ensemble, ne les entremêlez pas et n'entrecroisez pas le câble de signal avec d'autres câbles.

2. À l'aide d'un ruban de vinyle adhésif, fixez le tuyau au dessous des conduites de réfrigérant.
3. À l'aide d'un ruban isolant, enveloppez fermement ensemble le câble de signal, la tuyauterie de réfrigérant et le tuyau d'évacuation. Revérifiez que tous les éléments sont bien réunis conformément à la **Fig. 3.12**.

N'ENVELOPPEZ PAS LES EXTRÉMITÉS DE LA TUYAUTERIE

Lorsque vous enveloppez le lot constitué, n'enveloppez pas les extrémités de la tuyauterie. Vous devez pouvoir y accéder pour vérifier qu'il n'y a pas de fuites à la fin du processus d'installation (reportez-vous à la section **Vérifications électriques et recherches de fuites** de ce manuel).

Étape 8 : Mise en place de l'unité intérieure

Si vous avez installé une nouvelle tuyauterie de raccordement à l'unité extérieure, procédez comme suit :

1. Si vous aviez déjà fait passer un tuyau de réfrigérant par le trou du mur, passez à l'étape 4.
2. Sinon, revérifiez que les extrémités des conduites de réfrigérant sont scellées pour éviter que de la saleté ou des matériaux étrangers ne pénètrent les tuyaux.
3. Faites doucement passer le lot enveloppé constitué des conduites de réfrigérant, du tuyau d'évacuation et du câble de signal par le trou du mur.

4. Accrochez le haut de l'unité intérieure au crochet supérieur de la plaque de fixation.
5. Vérifiez que l'unité est fermement accrochée à la plaque de fixation en appliquant une légère pression sur les côtés gauche et droit de l'unité. L'unité ne devrait pas remuer ou se déplacer.
6. En appliquant une pression régulière vers le bas, appuyez sur la moitié inférieure de l'unité. Continuez à appuyer jusqu'à ce que l'unité s'insère sur les crochets qui se situent le long du bas de la plaque de fixation.
7. Vérifiez à nouveau que l'unité est fermement fixée en appliquant une légère pression sur les côtés gauche et droit de l'unité.

Si la tuyauterie de réfrigérant est déjà intégrée au mur, procédez comme suit :

1. Accrochez le haut de l'unité intérieure au crochet supérieur de la plaque de fixation.
2. Utilisez un support ou une cale pour caler l'unité, en vous conservant suffisamment d'espace pour raccorder la tuyauterie de réfrigérant, le câble de signal et le tuyau d'évacuation. Reportez-vous à la **Fig. 3.13** en guise d'exemple.
3. Raccordez le tuyau d'évacuation et la tuyauterie de réfrigérant (reportez-vous à la section **Raccordement de la tuyauterie de réfrigérant** de ce manuel pour obtenir des instructions).
4. Laissez le point de raccordement de la tuyauterie exposer pour pouvoir procéder au test anti-fuites (reportez-vous à la section **Vérifications électriques et recherches de fuites** de ce manuel).
5. Une fois le test anti-fuites effectué, enveloppez le point de raccordement d'un ruban isolant.
6. Retirez le support ou la cale qui calait l'unité.
7. En appliquant une pression régulière vers le bas, appuyez sur la moitié inférieure de l'unité. Continuez à appuyer jusqu'à ce que l'unité s'insère sur les crochets qui se situent le long du bas de la plaque de montage.

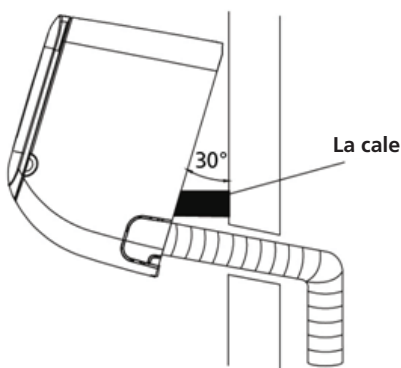
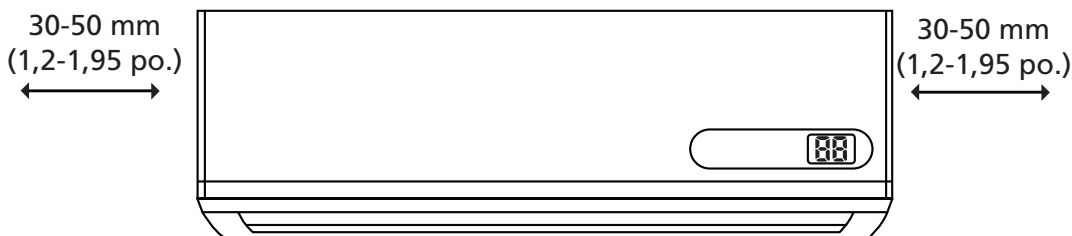


Fig. 3.13

L'EMPLACEMENT DE L'UNITÉ EST AJUSTABLE

Gardez à l'esprit que les crochets de la plaque de montage sont plus petits que les trous de l'arrière de l'unité. Si vous estimez que vous ne disposez pas de suffisamment d'espace pour raccorder les tuyaux intégrés à l'unité intérieure, vous pouvez ajuster l'emplacement de l'unité vers la gauche ou vers la droite d'environ 30 à 50 mm (1,25 à 1,95 pouces) selon le modèle. (Voir **Fig. 3.14.**)

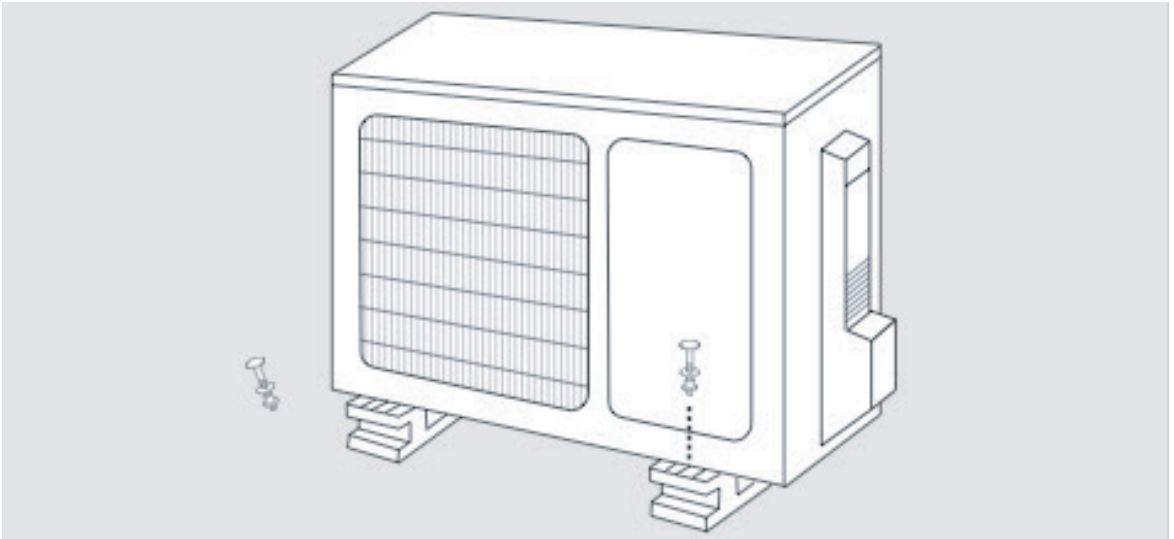


Déplacer vers la gauche ou la droite

Fig. 3.14

Installation de l'unité extérieure

5



Instructions d'installation – Unité extérieure

Étape 1 : Choix du lieu d'installation

Avant d'installer l'unité extérieure, vous devez choisir un lieu approprié. Voici les normes qui vous aideront à choisir le lieu approprié à l'unité.

Les lieux d'installation appropriés respectent les normes suivantes :

- ☑ Ils respectent toutes les exigences d'espace illustrées dans Exigences pour l'espace d'installation (**Fig. 4.1**) ;
- ☑ Ils offrent une circulation d'air adéquate et une bonne ventilation ;
- ☑ Ils sont stables et solides : le lieu d'installation peut supporter le poids de l'unité et ne vibrera pas ;
- ☑ Le bruit de l'unité ne dérangera pas d'autres personnes ;
- ☑ Ces lieux sont protégés contre les longues périodes d'exposition directe au soleil ou aux précipitations.

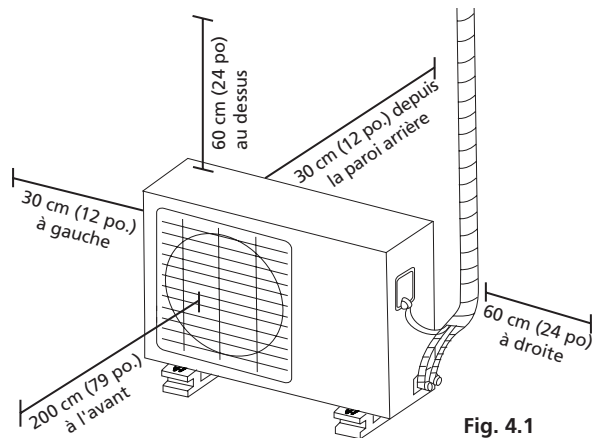


Fig. 4.1

N'installez PAS l'unité aux endroits suivants :

- ⊘ À proximité d'obstacles qui pourraient obstruer les entrées et sorties d'air ;
- ⊘ À proximité d'une rue publique, d'un endroit achalandé ou de zones où le bruit de l'unité dérangera d'autres personnes ;
- ⊘ À proximité d'animaux ou de végétaux pour lesquels l'évacuation d'air chaud serait néfaste ;
- ⊘ À proximité d'une source de gaz combustible ;
- ⊘ Dans un lieu exposé à une grande quantité de poussière ;
- ⊘ Dans un lieu exposé à une quantité excessive d'air salin.

**ATTENTION PARTICULIÈRES
CONCERNANT UN CLIMAT EXTRÊME**

Si l'unité est exposée à des vents fort :

Installez l'unité de manière à ce que le ventilateur de sortie d'air soit à 90° par rapport à la direction du vent. Si nécessaire, érigez un paravent devant l'unité pour la protéger contre les vents extrêmement forts.

Voir **Fig. 4.2** et **Fig. 4.3** ci-dessous.

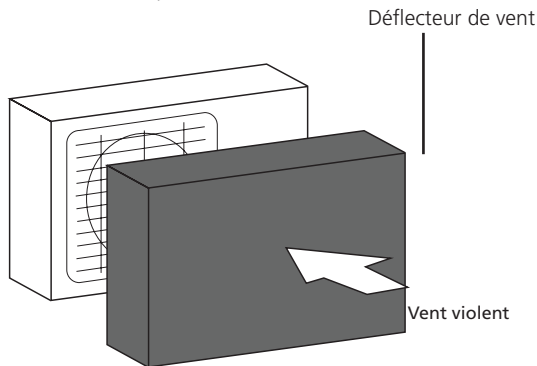
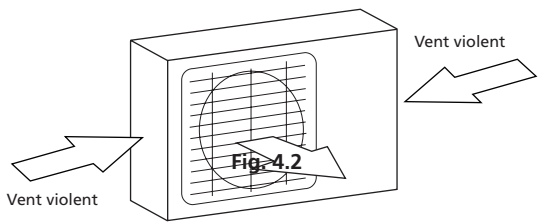


Fig. 4.3

Si l'unité est fréquemment exposée à de fortes pluies ou à la neige:

Construisez un abri au-dessus de l'unité pour la protéger contre la pluie ou la neige. Veillez à ne pas obstruer le flux d'air circulant autour de l'unité.

Si l'unité est fréquemment exposée à de l'air salin (en bord de mer) :

Utilisez une unité extérieure spécialement conçue pour résister à la corrosion.

Étape 2 : Installation du raccord d'évacuation

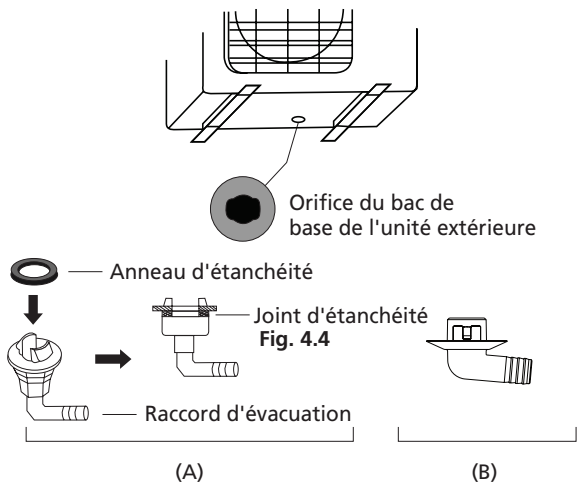
Les unités à pompe à chaleur requièrent un raccord d'évacuation. Avant de boulonner l'unité extérieure en place, vous devez installer le raccord d'évacuation en dessous de l'unité. Notez que différents types de raccord d'évacuation existent selon le type d'unité extérieure.

Si le raccord d'évacuation est fourni avec un anneau d'étanchéité en caoutchouc (voir Fig. 4.4 - A), procédez comme suit :

1. Installez l'anneau d'étanchéité en caoutchouc sur l'extrémité du raccord d'évacuation qui sera reliée à l'unité extérieure.
2. Insérez le raccord d'évacuation dans le trou de l'entonnoir de la base de l'unité.
3. Faites pivoter le raccord d'évacuation à 90° jusqu'à ce qu'il s'encliquette en place, face à l'avant de l'unité.
4. Installez un raccord de tuyau d'évacuation (non fourni) sur le raccord d'évacuation que vous venez d'encliqueter sur l'unité pour rediriger l'eau provenant de l'unité en mode chauffage.

Si le raccord d'évacuation n'est pas fourni avec un joint d'étanchéité en caoutchouc (voir Fig. 4.4 - B), procédez comme suit :

1. Insérez le raccord d'évacuation dans le trou de l'entonnoir de la base de l'unité. Le raccord d'évacuation s'encliquettera en place.
2. Installez un raccord de tuyau d'évacuation (non fourni) sur le raccord d'évacuation que vous venez d'encliqueter sur l'unité pour rediriger l'eau provenant de l'unité en mode chauffage.



! EN CAS DE CLIMATS FROIDS

En cas de climats froids, assurez-vous que le raccord d'évacuation est aussi vertical que possible, ce qui garantira la rapidité d'évacuation de l'eau. Si l'eau est évacuée trop lentement, elle peut geler dans le tuyau et submerger l'unité.

Étape 3 : Ancrage de l'unité extérieure

L'unité extérieure peut être ancrée au sol ou installée sur un support fixé au mur.

DIMENSIONS POUR L'INSTALLATION DE L'UNITÉ

Voici une liste des différentes tailles d'unité extérieure et des distances devant séparer les pieds de fixation de ces unités. Préparez la base d'installation de l'unité en tenant compte des dimensions ci-dessous.

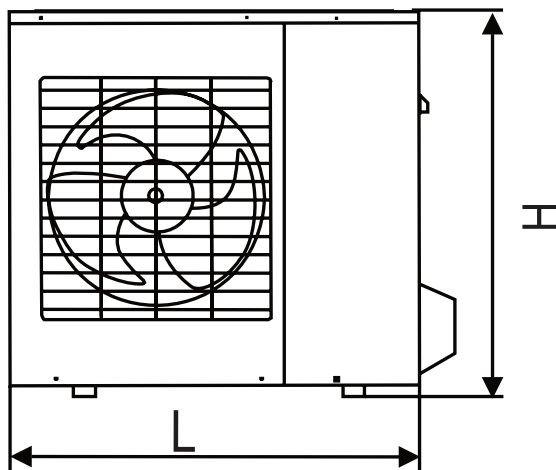
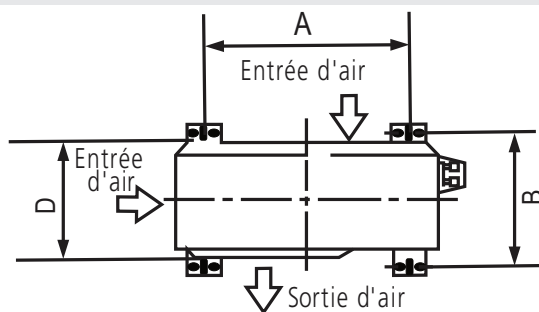


Fig. 4.5

Dimensions d'unité extérieure (mm) L x H x P	Dimensions de l'installation	
	Distance A (mm)	Distance B (mm)
685x430x260 (27"x17"x10,25")	460 (18,10")	276 (10,85")
700x540x240 (27,5"x21,25"x9,45")	458 (18")	250 (9,85")
780x540x250 (30,7"x21,25"x9,85")	549 (21,6")	276 (10,85")
760x590x285 (29,9"x23,2"x11,2")	530 (20,85")	290 (11,4")
845x700x320 (33,25"x27,5"x12,6")	560 (22")	335 (13,2")
810x558x310 (31,9"x22"x12,2")	549 (21,6")	325 (12,8")
900x860x315 (35,4"x33,85"x12,4")	590 (23,2")	333 (13,1")
945x810x395 (37,2"x31,9"x15,55")	640 (25,2")	405 (15,95")

Si vous prévoyez d'installer l'unité au sol ou sur une plate-forme d'installation en béton, procédez comme suit :

1. Marquez les positions des quatre boulons expandeurs selon les dimensions d'installation de l'unité ci-dessus.
2. Prépercez les trous pour les boulons expandeurs.
3. Enlevez la poussière de béton des trous.
4. Placez un écrou à l'extrémité de chaque boulon expandeur.
5. Martelez les boulons expandeurs dans les trous préperçés.
6. Retirez les écrous des boulons expandeurs, puis placez l'unité extérieure sur les boulons.
7. Placez une rondelle sur chaque boulon expandeur, puis remplacez les écrous.
8. À l'aide d'une clé, serrez chaque écrou jusqu'à ce qu'il le soit suffisamment.

AVERTISSEMENT

NOUS VOUS RECOMMANDONS DE PORTER EN PERMANENCE UNE PROTECTION POUR VOS YEUX LORSQUE VOUS PERCEZ DU BÉTON.

Si vous prévoyez d'installer l'unité sur un support fixé au mur, procédez comme suit :

! MISE EN GARDE

Avant de fixer une unité au mur, assurez-vous que le mur soit en briques solides, en béton ou dans un autre matériau de résistance similaire.

Le mur doit être capable de supporter au moins quatre fois le poids de l'unité.

1. Marquez la positions des trous du support selon les dimensions d'installation de l'unité.
2. Prépercez des trous pour les boulons expenseurs.
3. Éliminez la poussière et les débris des trous.
4. Placez une rondelle et un écrou à l'extrémité de chaque boulon expenseur.
5. Faites passer les boulons expenseurs par les trous des supports de fixation, mettez les supports de fixation en place puis martelez les boulons expenseurs sur le mur.
6. Vérifiez que les supports de fixation sont à niveau.
7. Soulevez délicatement l'unité et placez ses pieds de fixation sur les supports.
8. Boulonnez fermement l'unité sur les supports.

POUR RÉDUIRE LES VIBRATIONS D'UNE UNITÉ FIXÉE AU MUR

Si vous y êtes autorisé, vous pouvez installer des joints de caoutchouc avec l'unité pour réduire les bruits et les vibrations.

Étape 4 : Connexion du câble de signal et du câble d'alimentation

Le bornier de l'unité extérieure est protégé par un cache-fils électriques qui se trouve sur le côté de l'unité. Un schéma de câblage complet est imprimé à l'intérieur du cache-fils.

! LISEZ CES RÉGLEMENTATIONS AVANT D'EFFECTUER TOUT TRAVAIL ÉLECTRIQUE

1. Tout le câblage doit être conforme aux codes électriques locaux et nationaux ; il doit en outre être installé par un électricien certifié.
2. Toutes les connexions électriques doivent être effectués conformément au Schéma de raccordement électrique figurant sur les panneaux latéraux des unités intérieure et extérieure.
3. Si vous rencontrez un grave problème de sécurité avec l'alimentation, arrêtez immédiatement de travailler. Expliquez votre raisonnement au client, et refusez d'installer l'unité tant que le problème de sécurité n'est pas correctement résolu.
4. La tension électrique devrait représenter 90 à 100 % de la tension nominale. Une alimentation insuffisante peut provoquer un dysfonctionnement, une électrocution ou un incendie.
5. Si l'alimentation est connectée à un câblage fixe, installez une protection contre les surtensions et un interrupteur d'alimentation principal d'une capacité 1,5 fois supérieure à l'intensité maximale de l'unité.
6. Si l'alimentation est connectée à un câblage fixe, assurez-vous d'installer un interrupteur ou un disjoncteur déconnectant tous les pôles. Ce dispositif doit posséder une séparation des contacts d'au moins 3 mm (1/8 pouce) entre chaque pôle. Le technicien agréé doit utiliser un interrupteur ou disjoncteur approuvé.
7. Ne raccordez seulement l'unité qu'à une prise électrique individuelle. Ne branchez pas un autre appareil à la même prise électrique.
8. Assurez-vous d'avoir correctement relié la thermopompe à la terre.
9. Tous les câbles doivent être fermement raccordés. Les câbles lâches peuvent entraîner une surchauffe de la borne, ce qui peut à son tour entraîner un dysfonctionnement du produit et un éventuel incendie.
10. **Ne laissez pas** les câbles toucher ou reposer sur la tubulure de réfrigérant, le compresseur ou à n'importe quelle partie amovible de l'unité.
11. Si l'unité est équipée d'un chauffage électrique auxiliaire, elle doit être installée à au moins 1 mètre (40 pouces) de tout matériau combustible.



AVERTISSEMENT

AVANT D'EFFECTUER TOUTE INTERVENTION ÉLECTRIQUE OU DE CÂBLAGE, COUPEZ L'ALIMENTATION PRINCIPALE DU SYSTÈME.

1. Préparez le câble pour le raccordement :

UTILISEZ LE BON CÂBLE

- Câble d'alimentation intérieur (le cas échéant) : H05VV-F ou H05V2V2-F
- Câble d'alimentation extérieur : H07RN-F
- Câble de signal : H07RN-F

Superficie minimale de section entre le câble d'alimentation et le câble de signal

Amérique du Nord

Intensité nominale de l'appareil (A)	AWG
≤ 7	14
7 - 13	14
13 - 18	12
18 - 25	10
25 - 30	10

Autres régions

Intensité nominale de l'appareil (A)	Section nominale (mm ²)
> 3 et ≤ 6	0,75
> 6 et ≤ 10	1
> 10 et ≤ 16	1,5
> 16 et ≤ 25	2,5
> 25 et ≤ 32	4
> 32 et ≤ 40	6

- À l'aide d'une pince à dénuder, retirez la garniture de caoutchouc des deux extrémités du câble de signal pour faire apparaître environ 15 cm (6 pouces) des fils intérieurs.
- Dénudez l'isolation des extrémités des fils.
- À l'aide d'une pince à sertir, sertissez des cosse en U aux extrémités des fils.

ACCORDEZ UNE ATTENTION PARTICULIÈRE AU FIL SOUS TENSION

Lorsque vous sertissez les fils, assurez-vous de bien distinguer le fil sous tension (« L ») des autres fils.



AVERTISSEMENT

TOUT LE CÂBLAGE DOIT ÊTRE EFFECTUÉ DANS LE STRICT RESPECT DU SCHÉMA DE CÂBLAGE QUI SE TROUVE DANS LE CACHE-FILS DE L'UNITÉ EXTÉRIEURE.

- Dévissez le cache-fils électriques et retirez-le.
- Dévissez le serre-câble qui se trouve sous le bornier et placez-le sur le côté.
- Associez les couleurs/étiquettes des fils en vous basant sur les étiquettes du bornier, puis vissez fermement la cosse en U de chaque fil sur la borne qui lui correspond.
- Après avoir vérifié que tous les raccordements sont bien en place, formez une boucle avec les fils pour éviter que l'eau de pluie ne submerge les bornes.
- À l'aide du serre-câble, fixez le câble sur l'unité. Vissez fermement le serre-câble.
- Isolez les fils inutilisés avec du ruban électrique PVC. Organisez ces fils de manière à ce qu'ils ne touchent pas les pièces électriques ou métalliques.
- Remettez le cache-fils en place sur le côté de l'unité, puis vissez-le.

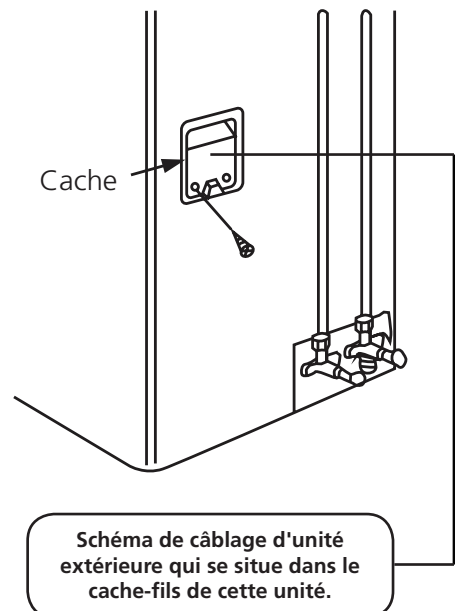
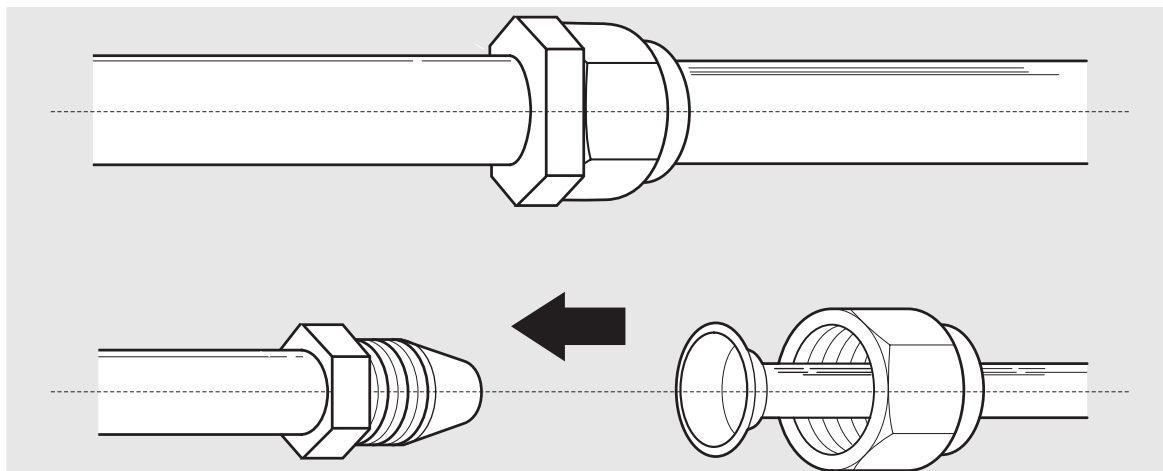


Fig. 4.6

Raccordement de la tuyauterie de réfrigérant

6



Remarque concernant la longueur du tuyau

La longueur de la tuyauterie de réfrigérant peut affecter les performances et l'efficacité énergétique de l'unité. L'efficacité nominale est testée sur des unités dont la longueur de conduite est de 5 mètres (16,5 pieds).

Reportez-vous au tableau ci-dessous pour obtenir des précisions sur la longueur maximale et la hauteur de chute maximale de la tuyauterie.

Longueur maximale et hauteur de chute de tuyauterie de réfrigérant par modèle d'unité

Modèle	Capacité (BTU/h)	Longueur max. (m)	Hauteur de chute max. (m)
Thermopompe inverter de type mini-split R410A	< 15 000	25 (82 pieds)	10 (33 pieds)
	≥ 15 000 et < 24 000	30 (98,5 pieds)	20 (66 pieds)
	≥ 24 000 et < 36 000	50 (164 pieds)	25 (82 pieds)
	≥ 36 000 et ≤ 60 000	65 (213 pieds)	30 (98,5 pieds)

Instructions de raccordement – Tuyauterie de réfrigérant

Étape 1 : Découpe des tuyaux

Lorsque vous préparez les tuyaux de réfrigérant, redoublez de prudence pour les découper et les évaser correctement. Cela garantira l'efficacité du fonctionnement et minimisera le besoin de maintenance ultérieure.

- Mesurez la distance séparant l'unité intérieure de l'unité extérieure.
- À l'aide d'un coupe-tube, découpez une

longueur de tuyau légèrement plus importante que la distance mesurée.

- Veillez à découper le tuyau en respectant un angle parfait de 90°. Reportez-vous à la **Fig. 5.1** pour obtenir des exemples de mauvaise découpe.

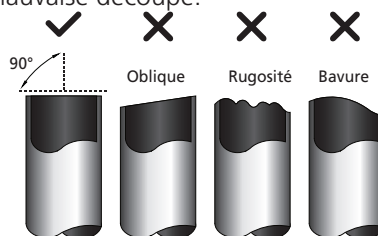


Fig. 5.1

! NE DÉFORMEZ PAS LE TUYAU LORSQUE VOUS LE DÉCOUPEZ

Redoublez d'attention pour ne pas endommager, bosseler ou déformer le tuyau lorsque vous la découpez. Cela réduirait considérablement l'efficacité de chauffage de l'unité.

Étape 2 : Élimination des ébarbures

Les ébarbures peuvent affecter l'étanchéité du joint de raccordement de la tuyauterie de réfrigérant. Elles doivent être totalement éliminées.

1. Maintenez le tuyau incliné vers le bas pour éviter que les bavures ne pénètrent à l'intérieur du tube.
2. À l'aide d'un alésoir ou d'un outil d'ébavurage, retirez les bavures de la section du tuyau coupé.

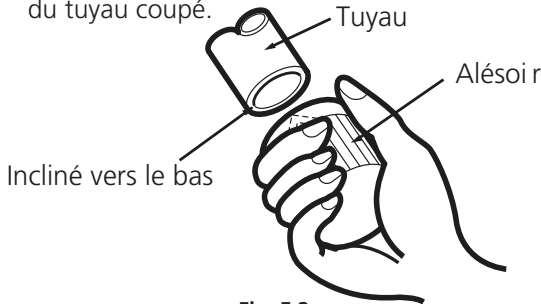


Fig. 5.2

Étape 3 : Évasement des extrémités du tuyau

Un évasement adéquat est essentiel à l'étanchéité des raccords.

1. Après avoir ébarbé les rebords du tuyau coupé, scellez ces extrémités avec du ruban PVC pour empêcher tout corps étranger de pénétrer à l'intérieur du tube.
2. Gainez le tube avec un matériau isolant.
3. Placez des écrous évasés aux deux extrémités de la conduite. Assurez-vous qu'ils soient orientés dans la bonne direction. Vous ne pourrez plus en remettre ou changer leur direction après l'évasement. Voir **Fig. 5.3**.

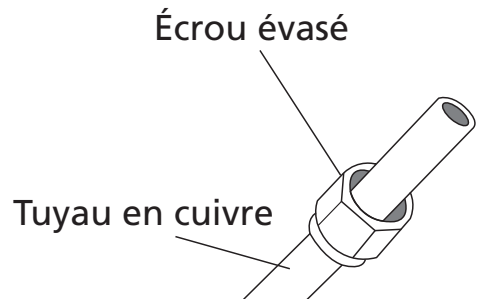


Fig. 5.3

4. Retirez le ruban PVC des deux extrémités de la conduite une fois que vous êtes prêt à procéder à l'évasement.
5. Fixez le gabarit d'évasement à l'extrémité du tuyau. L'extrémité de la conduite doit s'étendre au-delà du bord de la forme d'évasement, en respectant les dimensions indiquées dans le tableau ci-dessous.

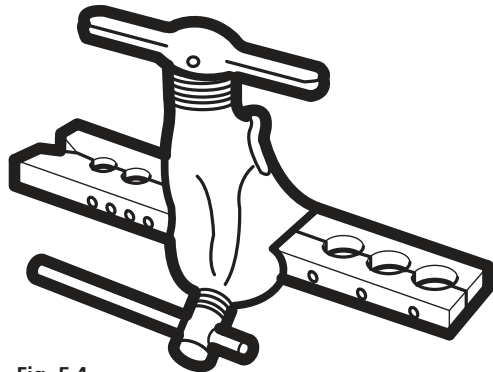


Fig. 5.4
CARACTÉRISTIQUES DE L'EXTRÉMITÉ ÉVASÉE DU TUYAU

Diamètre externe de la conduite (mm)	A (mm)	
	Min.	Max.
Ø 6,35 (Ø 0,25")	0,7 (0,0275")	1,3 (0,05")
Ø 9,52 (Ø 0,375")	1,0 (0,04")	1,6 (0,063")
Ø 12,7 (Ø 0,5")	1,0 (0,04")	1,8 (0,07")
Ø 16 (Ø 0,63")	2,0 (0,078")	2,2 (0,086")

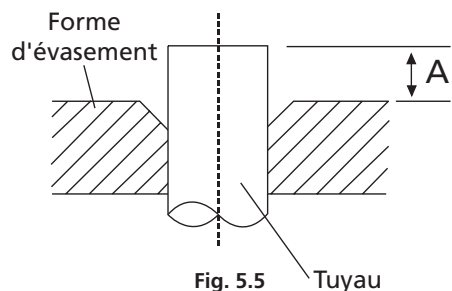


Fig. 5.5

6. Placez l'outil à évaser dans la forme.
7. Tournez le manche de l'outil à évaser dans le sens des aiguilles d'une montre jusqu'à ce que la conduite soit entièrement évasée.
8. Retirez l'outil à évaser et la forme d'évasement, puis inspectez l'extrémité de la conduite à la recherche de fissures et pour vérifier si l'évasement est régulier.

Étape 4 : Raccordement des tuyaux

Lorsque vous raccordez les tuyaux de réfrigérant, veillez à ne pas employer un couple excessif et à ne pas déformer la tuyauterie de quelque manière que ce soit. Vous devez d'abord raccorder le tuyau basse pression, puis le tuyau haute pression.

RAYON MINIMAL DU COUDE

Lorsque vous coudez la tuyauterie de raccordement pour réfrigérant, le rayon minimal du coude est de 10 cm. Voir **Fig. 5.6**.

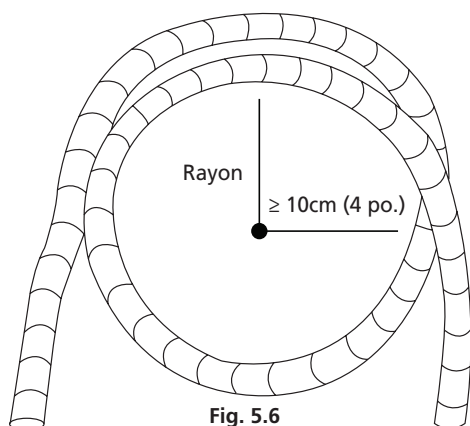


Fig. 5.6

EXIGENCES DE COUPLE

Diamètre externe du tuyau (mm)	Couple de serrage (N•cm)	Couple de serrage supplémentaire (N•m)
Ø 6.35 (Ø 0.25")	1 500 (11 livres•pied)	1 600 (11,8 livres•pied)
Ø 9.52 (Ø 0.375")	2 500 (18,4 livres•pied)	2 600 (19,18 livres•pied)
Ø 12.7 (Ø 0.5")	3 500 (25,8 livres•pied)	3 600 (26,55 livres•pied)
Ø 16 (Ø 0.63")	4 500 (33,19 livres•pied)	4 700 (34,67 livres•pied)

! N'EMPLOYEZ PAS DE COUPLE EXCESSIF

Une force excessive pourrait briser l'écrou ou endommager la tuyauterie de réfrigérant. Vous ne devez pas dépasser les exigences de couple indiquées dans le tableau ci-dessus.

Instructions de raccordement de la tuyauterie à l'unité intérieure

1. Alignez le centre des deux tuyaux que vous allez raccorder. Voir **Fig. 5.7**.

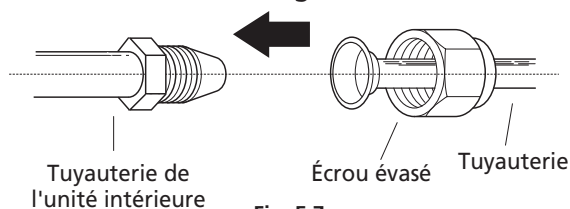


Fig. 5.7

2. Serrez l'écrou évasé aussi fermement que possible à la main.
3. À l'aide d'une tricoise, serrez l'écrou sur la tubulure de l'unité.
4. Tout en serrant fermement l'écrou et la tubulure de l'unité, utilisez une clé dynamométrique pour serrer l'écrou évasé en respectant les valeurs de couple du tableau **Exigences de couple** qui figure ci-dessous. Desserrez légèrement l'écrou évasé, puis resserrez-le.

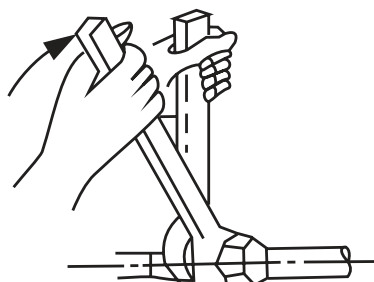


Fig. 5.8

Instructions de raccordement de la tuyauterie à l'unité extérieure

1. Dévissez le couvercle de la valve à presse-étoupe qui se trouve sur le côté de l'unité extérieure. (Voir **Fig. 5.9**).

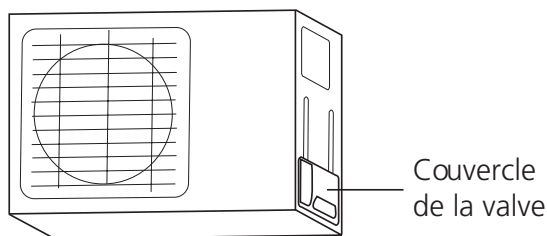


Fig. 5.9

2. Retirez les capuchons de protection des extrémités des valves.
3. Alignez l'extrémité évasée des tuyaux avec chaque valve, puis serrez les écrous le plus possible avec vos mains.
4. À l'aide d'une tricoise, serrez le corps de la valve. Ne serrez pas l'écrou étanchéifiant la valve de service. (Voir **Fig. 5.10**)

! UTILISEZ UNE TRICOISE POUR SERRER LE CORPS PRINCIPAL DE LA VANNE

Le couple de serrage appliqué à l'écrou évasé peut faire sortir d'autres pièces de la vanne.

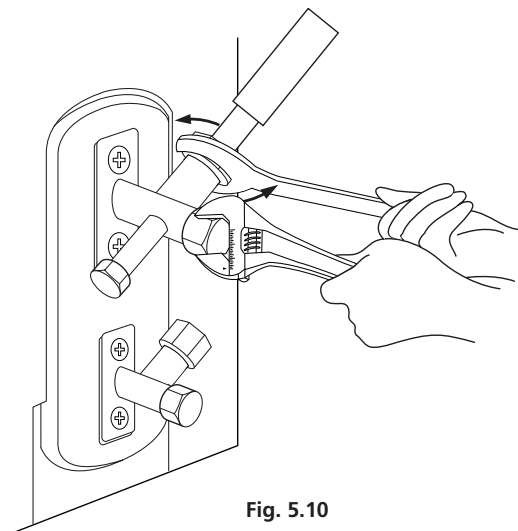
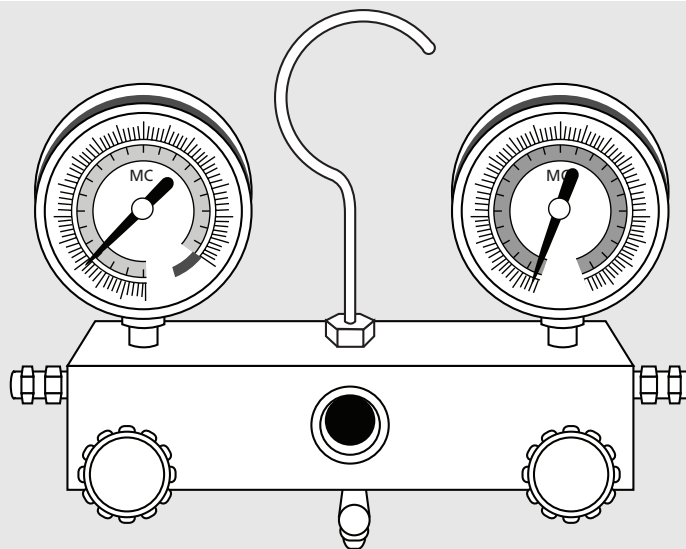


Fig. 5.10

5. Tout en serrant fermement le corps de la valve, utilisez une clé dynamométrique pour serrer l'écrou évasé en respectant les valeurs de couple appropriées.
6. Desserrez légèrement l'écrou évasé, puis resserrez-le de nouveau.
7. Répétez les étapes 3 à 6 pour le reste de la tuyauterie.



Préparations et précautions

Si de l'air ou un matériau étranger est présent dans le circuit de réfrigérant, cela peut entraîner une pression anormale dans les tuyaux, endommager votre thermopompe, réduire son efficacité et causer des blessures. Utilisez une pompe à vide et un manomètre pour purger le circuit de réfrigérant. Vous éliminerez ainsi les gaz non condensables et l'humidité du système.

La purge doit être effectuée dès la première installation et lorsque l'unité est déplacée.

AVANT DE PROCÉDER À LA PURGE

- ☑ Effectuez une vérification pour vous assurer que le tuyau basse pression et que le tuyau haute pression qui relie l'unité intérieure et l'unité extérieure sont tous les deux correctement raccordés conformément à la section Raccordement de la tuyauterie de réfrigérant de ce manuel.
- ☑ Effectuez une vérification pour vous assurer que tout le câblage est correctement connecté.

Instructions pour la purge

Avant d'utiliser une pompe à vide et un manomètre, lisez leurs modes d'emploi pour vous familiariser avec la méthode d'utilisation appropriée.

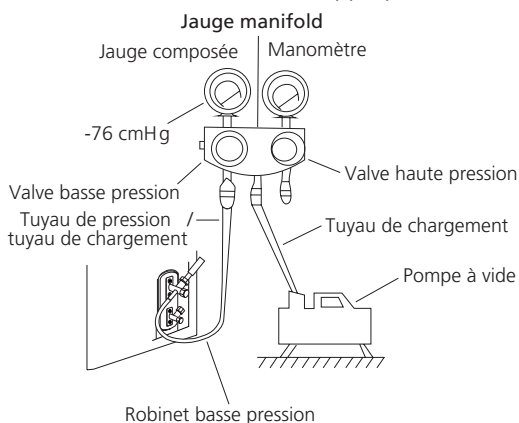


Fig. 6.1

1. Raccordez le tuyau de chargement du manomètre à l'orifice de service de la vanne basse pression de l'unité extérieure.
2. Raccordez un autre tuyau de chargement du manomètre à la pompe à vide.

3. Ouvrez le côté Basse pression du manomètre. Laissez le côté Haute pression fermé.
4. Allumez la pompe à vide pour purger le système.
5. Faites-la fonctionner pendant au moins 15 minutes, ou jusqu'à ce que le compteur combiné affiche -76 cmHG (-105 kPa).
6. Fermez le côté Basse pression du manomètre, puis éteignez la pompe à vide.
7. Patientez 5 minutes, puis vérifiez que la pression du système est bien restée inchangée.
8. Si la pression du système a changé, reportez-vous à la section Vérification de fuites de gaz pour obtenir des informations sur la méthode de recherche des fuites. Si la pression du système n'a pas changé, dévissez le capuchon de la valve à presse-étoupe (valve haute pression).
9. Insérez une clé hexagonale dans la valve à presse-étoupe (valve haute pression) et ouvrez la valve en tournant la clé d'un quart de tour dans le sens contraire des aiguilles d'une montre. Écoutez pour entendre si des gaz sortent du système, puis refermez la valve après 5 secondes.
10. Observez le manomètre pendant une minute pour vous assurer que la pression du système n'a pas changé. Le manomètre devrait afficher une pression légèrement plus élevée que la pression atmosphérique.
11. Retirez le tuyau de chargement de l'orifice de service.

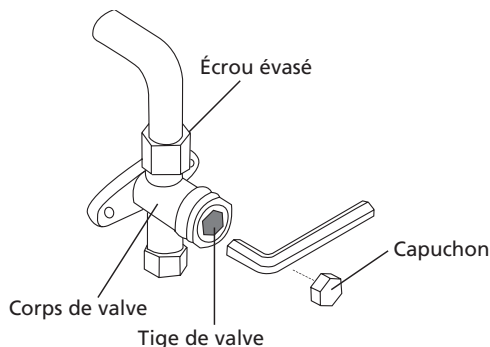


Fig. 6.2

12. À l'aide d'une clé hexagonale, ouvrez complètement les deux valves : la valve basse pression et la valve haute pression.
13. Serrez à la main les capuchons de la totalité des trois valves (la valve de service, la valve basse pression et la valve haute pression). Si nécessaire, vous pouvez les serrer davantage à l'aide d'une clé dynamométrique.

! OUVREZ DÉLICATEMENT LES CORPS DES VALVES

Lorsque vous ouvrez les corps des valves, tournez la clé hexagonale jusqu'à ce qu'elle s'appuie contre la butée. N'essayez pas de contraindre la valve à s'ouvrir davantage.

Remarque concernant l'ajout de réfrigérant

Il vous faudra peut-être ajouter du réfrigérant selon la longueur de la tuyauterie de raccordement ou la pression du système purgé. Reportez-vous au tableau ci-dessous pour connaître les quantités de réfrigérant à ajouter :

RÉFRIGÉRANT SUPPLÉMENTAIRE PAR LONGUEUR DE CONDUITE

Longueur de la tuyauterie de raccordement (m)	Méthode de purge de l'air	Réfrigérant supplémentaire	
< 5 (16,4 pieds)	Pompe à vide	N/A	
> 5 (16,4 pieds)	Pompe à vide	Côté liquide : Ø 6,35 (ø 0,25") R22 : (Longueur de tuyau - longueur standard) x 30 g/m (Longueur de tuyau - longueur standard) x 9,14 g/pied R410A : (Longueur de tuyau - longueur standard) x 15g/m (Longueur de tuyau - longueur standard) x 4,57g/pied	Côté liquide : Ø 9,52 (ø 0,375") R22 : (Longueur de tuyau - longueur standard) x 60 g/m (Longueur de tuyau - longueur standard) x 18,29g/pied R410A : (Longueur de tuyau - longueur standard) x 30 g/m (Longueur de tuyau - longueur standard) x 9,14 g/pied

Remarque :

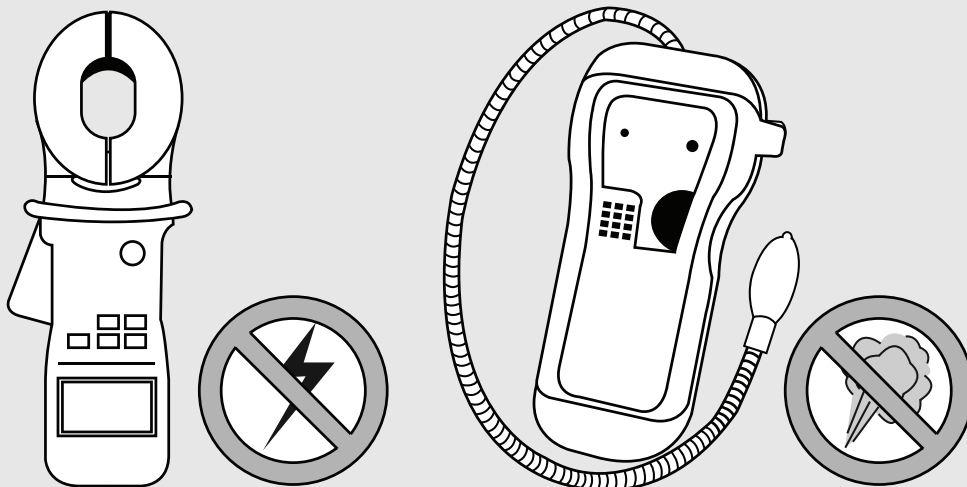
la longueur standard est 5 m (16,4 pieds) en Europe et 7,5 m (24,6 pieds) aux États-Unis.

! MISE EN GARDE

N'ajoutez que du réfrigérant liquide dans le système. **NE mélangez PAS** plusieurs types de réfrigérant.

Vérification des fuites électriques et de gaz

8



Vérifications de sécurité électrique

Après l'installation, vérifiez que tout le câblage est installé conformément aux réglementations locales et nationales, ainsi qu'au Manuel d'installation.

AVANT LA SÉRIE DE TESTS

Vérifiez la mise à la terre

Évaluez visuellement la résistance de la mise à la terre et mesurez-la avec un testeur de résistance de la mise à la terre. La résistance de mise à la terre doit être inférieure à 4.

Remarque : il est possible que cette exigence ne soit pas imposée dans certaines régions des États-Unis.

PENDANT LA SÉRIE DE TESTS

Recherche de fuite électrique

Lors de la **Série de tests**, utilisez une électrosonde et un multimètre pour effectuer un test anti-fuite électrique complet.

Si vous détectez une fuite électrique, éteignez immédiatement l'unité et contactez un électricien habilité à la détection et à la résolution des fuites électriques.

Remarque : il est possible que cette exigence ne soit pas imposée dans certaines régions des États-Unis.

AVERTISSEMENT – RISQUE DE DÉCHARGE ÉLECTRIQUE

TOUT LE CÂBLAGE DOIT ÊTRE CONFORME AUX CODES ÉLECTRIQUES LOCAUX ET NATIONAUX ; IL DOIT EN OUTRE ÊTRE INSTALLÉ PAR UN ÉLECTRICIEN HABILITÉ.

Recherche des fuites de gaz

Deux méthodes différentes permettent de rechercher les fuites de gaz.

Méthode à l'eau savonneuse

À l'aide d'une brosse douce, appliquez de l'eau savonneuse ou du détergent liquide sur tous les points de raccordement de l'unité intérieure et de l'unité extérieure. La présence de bulles indique qu'il y a une fuite.

Méthode avec détecteur de fuite

Si vous utilisez un détecteur de fuite, référez-vous à son mode d'emploi pour obtenir les instructions d'utilisation appropriées.

APRÈS AVOIR EFFECTUÉ LES VÉRIFICATIONS DE FUITES DE GAZ

Après avoir vérifié qu'il n'y ait AUCUNE fuite au niveau d'aucun des points de raccordement des tuyaux, remettez le couvercle de la valve de l'unité extérieure en place.

Recherches de fuites électriques et de fuites de gaz

Série de tests

9

Avant la série de tests

N'effectuez la série de tests qu'après avoir suivi les étapes ci-dessous :

- **Vérifications de sécurité électrique** : vérifiez que le système électrique de l'unité est sécurisé et qu'il fonctionne correctement.
- **Recherches des fuites de gaz** : vérifiez tous les raccordements à écrou évasé et assurez-vous que le système ne présente aucune fuite.
- Vérifiez que les valves de gaz et de liquide (haute pression et basse pression) sont entièrement ouvertes.

Instructions pour la série de tests

Vous devriez mener la **Série de tests** pendant au moins 30 minutes.

1. Branchez l'unité pour qu'elle soit alimentée.
2. Appuyez sur le bouton **ON/OFF** (Marche/arrêt) de la télécommande pour l'allumer.
3. Appuyez sur le bouton **MODE** (Mode) pour faire défiler les fonctions suivantes, une à une :
 - **COOL (REFROIDISSEMENT)** : choisissez la température la plus faible possible
 - **HEAT (CHAUFFAGE)** : sélectionnez la température la plus élevée possible
4. Laissez chacune des fonctions s'exécuter pendant 5 minutes, puis effectuez les vérifications suivantes :

Liste des vérifications à effectuer

RÉUSSITE/ÉCHEC

Aucune fuite électrique		
L'unité est correctement reliée à la terre		
Toutes les bornes électriques sont correctement recouvertes		
L'unité intérieure et l'unité extérieure sont solidement installées		
Aucun des points de raccordement des tuyaux ne fuit	Extérieur (2) :	Intérieur (2) :
L'eau s'écoule correctement du tuyau d'évacuation		
Toute la tuyauterie est correctement isolée		
La fonction REFROIDISSEMENT de l'unité s'exécute correctement		
La fonction CHAUFFAGE de l'unité s'exécute correctement		
Les aérateurs à lames de l'unité intérieure tournent correctement		
L'unité intérieure réagit à la télécommande		

REVÉRIFIEZ LES RACCORDEMENTS DES TUYAUX

La pression du circuit de réfrigération augmentera lors de cette opération. Cette opération peut permettre de découvrir des fuites qui n'avaient pas été détectées lors de votre recherche initiale de fuite. Au cours de la série de tests, prenez le temps de revérifier tous les points de raccordement des tuyaux de réfrigérant pour vous assurer qu'ils ne fuient pas. Reportez-vous à la section **Vérifications des fuites de gaz** pour obtenir des instructions.

5. Une fois que vous aurez terminé la série de tests avec succès, et que vos vérifications de tous les points de la Liste de vérifications à effectuer seront couronnées de succès, procédez comme suit :
 - a. À l'aide de la télécommande, rétablissez la température de fonctionnement normale de l'unité.
 - b. À l'aide d'un ruban isolant, enveloppez les raccordements de tuyaux de réfrigérant que vous avez laissés à nu lors du processus d'installation de l'unité.

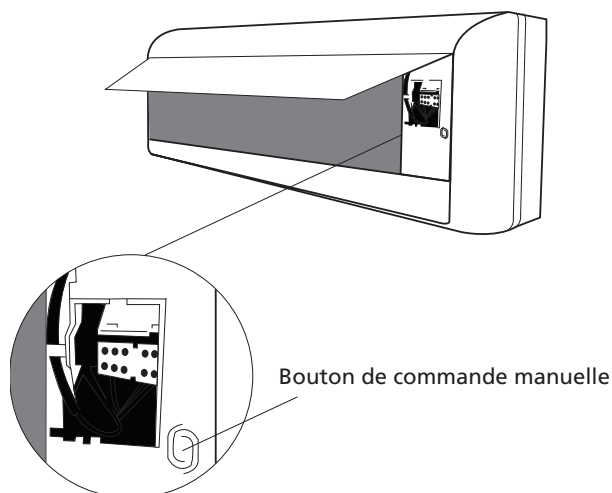


Fig. 8.1

SI LA TEMPÉRATURE AMBIANTE EST INFÉRIEURE À 17°C (63°F)

Vous ne pouvez pas utiliser la télécommande pour activer la fonction REFROIDISSEMENT lorsque la température ambiante est inférieure à 17°C. Dans un tel cas, vous pouvez utiliser le bouton **MANUAL CONTROL (CONTRÔLE MANUEL)** pour tester la fonction REFROIDISSEMENT.

1. Soulevez le panneau avant de l'unité intérieure, puis levez-le jusqu'à ce qu'il s'encliquette en place.
2. Le bouton **MANUAL CONTROL (CONTRÔLE MANUEL)** se situe du côté droit de l'unité. Appuyez deux fois dessus pour sélectionner la fonction COOL (REFROIDISSEMENT). Voir **Fig 8.1**.
3. Effectuez la série de tests de façon habituelle.