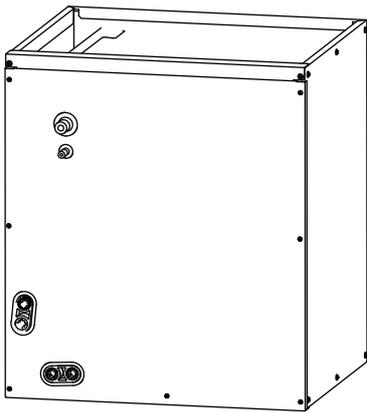
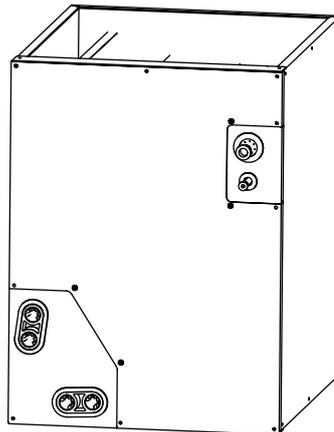


Multi position Heat Pump Evaporator with TXV - R410A

Owner's Manual & Installation Manual



(Old style)



(New style)

CUB24HAC20BWT7A 17.5" x 21" x 18"
CUB36HAC20CWT7A 21" x 21" x 24"
CUB48HAC20CWT7A 21" x 21" x 24"
CUB60HAC20DWT7A 24.5" x 21" x 28"

CUB36HAC20BWT7A 17.5" x 21" x 24"



IMPORTANT NOTE:

Read this manual carefully before installing or operating your new air conditioning unit. Make sure to save this manual for future reference.

This manual is applicable to both new and old styles, with only slight differences in appearance.

Table of Contents

SAFETY PRECAUTIONS	04
INTRODUCTION	07
INSTALLATION	08
1. INSTALLATION OF EVAPORATOR COILS	08
2. REFRIGERANT LINE CONNE	10
3. CONNECT REFRIGERA	10
4. REFRIGERANT METERING DEVICE	11
5. CONDENSATE DRAIN LINECONNECTION	11
6. WASTE LINE CONNECTION	12
7. REMOVE COIL FROM THE CASE	12
CARE AND MAINTENANCE	13

SAFETY PRECAUTIONS

Read Safety Precautions Before Operation and Installation

Incorrect installation due to ignoring instructions can cause serious damage or injury. The seriousness of potential damage or injuries is classified as either a **WARNING** or **CAUTION**.



WARNING

This symbol indicates the possibility of personnel injury or loss of life.



CAUTION

This symbol indicates the possibility of property damage or serious consequences.



WARNING

This appliance can be used by children aged from 8 years and above and persons with reduced physical, sensory or mental capabilities or lack of experience and knowledge if they have been given supervision or instruction concerning use of the appliance in a safe way and understand the hazards involved. Children shall not play with the appliance. Cleaning and user maintenance shall not be made by children without supervision.

This appliance is not intended for use by persons (including children) with reduced physical, sensory or mental capabilities, or lack of experience and knowledge, unless they have been given supervision or instruction concerning use of the appliance by a person responsible for their safety. Children should be supervised to ensure that they do not play with the appliance.



WARNINGS FOR PRODUCT USE

- If an abnormal situation arises (like a burning smell), immediately turn off the unit and disconnect the power. Call your dealer for instructions to avoid electric shock, fire or injury.
- **Do not** insert fingers, rods or other objects into the air inlet or outlet. This may cause injury, since the fan may be rotating at high speeds.
- **Do not** use flammable sprays such as hair spray, lacquer or paint near the unit. This may cause fire or combustion.
- **Do not** operate the air conditioner in places near or around combustible gases. Emitted gas may collect around the unit and cause explosion.
- **Do not** operate your air conditioner in a wet room such as a bathroom or laundry room. Too much exposure to water can cause electrical components to short circuit.
- **Do not** expose your body directly to cool air for a prolonged period of time.
- **Do not** allow children to play with the air conditioner. Children must be supervised around the unit at all times.
- If the air conditioner is used together with burners or other heating devices, thoroughly ventilate the room to avoid oxygen deficiency.
- In certain functional environments, such as kitchens, server rooms, etc., the use of specially designed air-conditioning units is highly recommended.
- Improper installation, adjustment, alteration, service or maintenance can cause property damage, personal injury or loss of life. Installation and service must be performed by a licensed professional HVAC installer or equivalent, service agency, or the gas supplier.

CLEANING AND MAINTENANCE WARNINGS

- Turn off the device and disconnect the power before cleaning. Failure to do so can cause electrical shock.
- **Do not** clean the air conditioner with excessive amounts of water.
- **Do not** clean the air conditioner with combustible cleaning agents. Combustible cleaning agents can cause fire or deformation.

CAUTION

- Turn off the air conditioner and disconnect the power if you are not going to use it for a long time.
- Turn off and unplug the unit during storms.
- Make sure that water condensation can drain unhindered from the unit.
- **Do not** operate the air conditioner with wet hands. This may cause electric shock.
- **Do not** use device for any other purpose than its intended use.
- **Do not** climb onto or place objects on top of the outdoor unit.
- **Do not** allow the air conditioner to operate for long periods of time with doors or windows open, or if the humidity is very high.
- As with any mechanical equipment, contact with sharp sheet metal edges can result in personal injury. Take care while handling this equipment and wear gloves and protective clothing.

ELECTRICAL WARNINGS

- Only use the specified power cord. If the power cord is damaged, it must be replaced by the manufacturer, its service agent or similarly qualified persons in order to avoid a hazard.
- Keep power plug clean. Remove any dust or grime that accumulates on or around the plug. Dirty plugs can cause fire or electric shock.
- **Do not** pull power cord to unplug unit. Hold the plug firmly and pull it from the outlet. Pulling directly on the cord can damage it, which can lead to fire or electric shock.
- **Do not** modify the length of the power supply cord or use an extension cord to power the unit.
- **Do not** share the electrical outlet with other appliances. Improper or insufficient power supply can cause fire or electrical shock.
- The product must be properly grounded at the time of installation, or electrical shock may occur.
- For all electrical work, follow all local and national wiring standards, regulations, and the Installation Manual. Connect cables tightly, and clamp them securely to prevent external forces from damaging the terminal. Improper electrical connections can overheat and cause fire, and may also cause shock. All electrical connections must be made according to the Electrical Connection Diagram located on the panels of the indoor and outdoor units.
- All wiring must be properly arranged to ensure that the control board cover can close properly. If the control board cover is not closed properly, it can lead to corrosion and cause the connection points on the terminal to heat up, catch fire, or cause electrical shock.
- If connecting power to fixed wiring, an all-pole disconnection device which has at least 3mm clearances in all poles, and have a leakage current that may exceed 10mA, the residual current device(RCD) having a rated residual operating current not exceeding 30mA, and disconnection must be incorporated in the fixed wiring in accordance with the wiring rules.

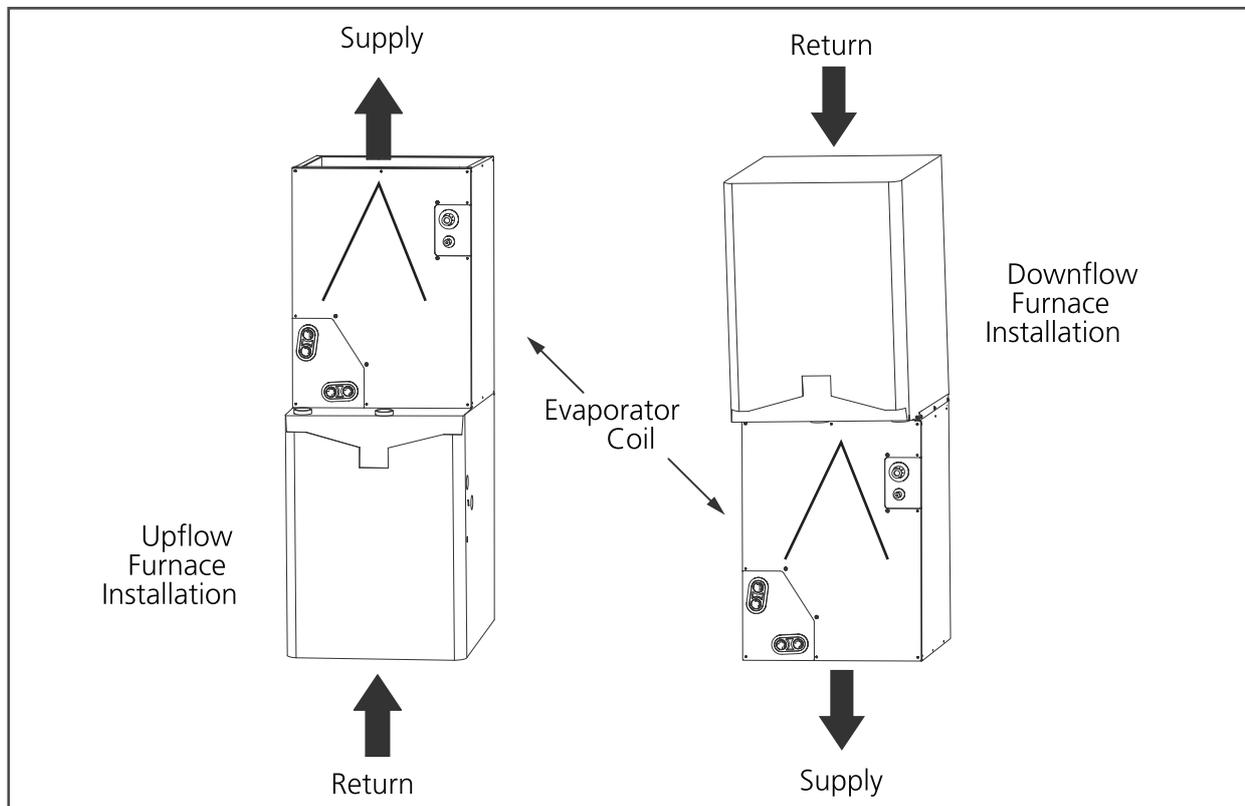
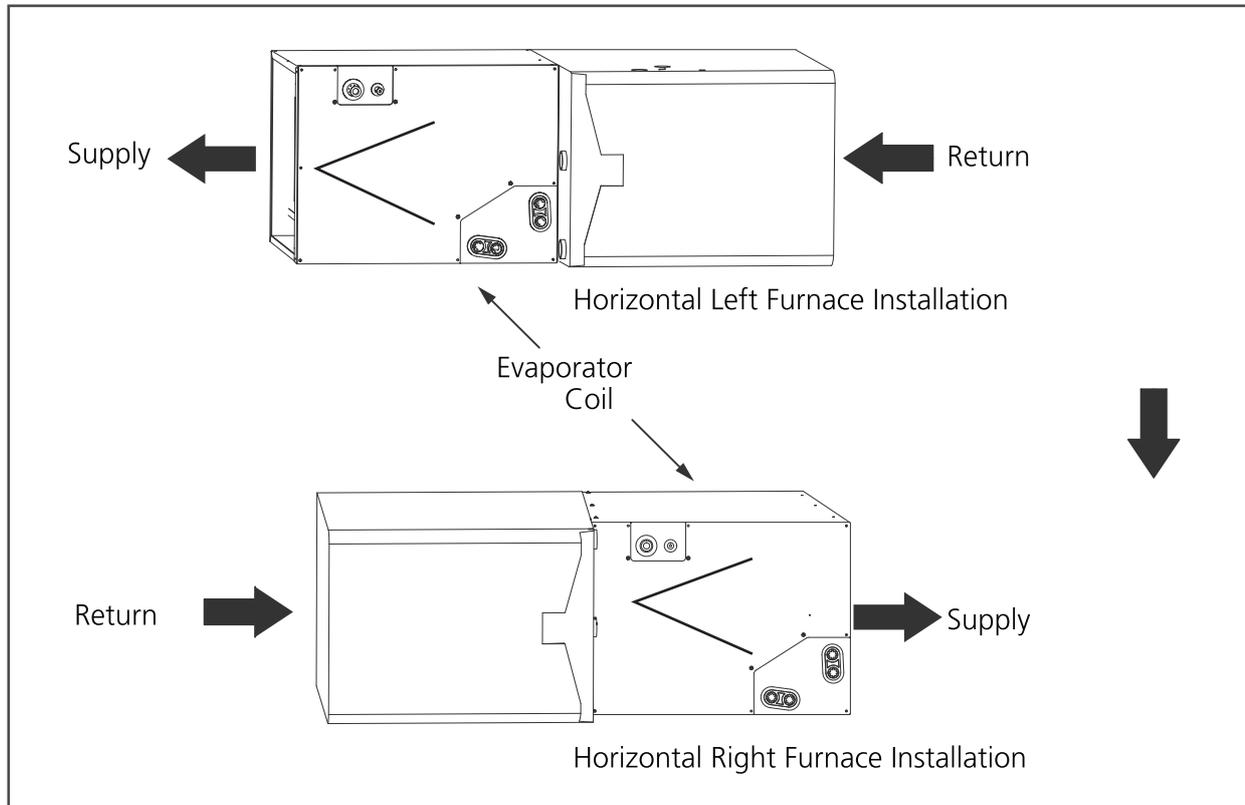


WARNINGS FOR PRODUCT INSTALLATION

1. Installation must be performed by an authorized dealer or specialist. Defective installation can cause water leakage, electrical shock, or fire.
2. Installation must be performed according to the installation instructions. Improper installation can cause water leakage, electrical shock, or fire.
(In North America, installation must be performed in accordance with the requirement of NEC and CEC by authorized personnel only.)
3. Contact an authorized service technician for repair or maintenance of this unit. This appliance shall be installed in accordance with national wiring regulations.
4. Only use the included accessories, parts, and specified parts for installation. Using non-standard parts can cause water leakage, electrical shock, fire, and can cause the unit to fail.
5. Install the unit in a firm location that can support the unit's weight. If the chosen location cannot support the unit's weight, or the installation is not done properly, the unit may drop and cause serious injury and damage.
6. Install drainage piping according to the instructions in this manual. Improper drainage may cause water damage to your home and property.
7. For units that have an auxiliary electric heater, **do not** install the unit within 1 meter (3 feet) of any combustible materials.
8. **Do not** install the unit in a location that may be exposed to combustible gas leaks. If combustible gas accumulates around the unit, it may cause fire.
9. Do not turn on the power until all work has been completed.
10. When moving or relocating the air conditioner, consult experienced service technicians for disconnection and reinstallation of the unit.
11. Follow all safety codes. Wear safety glasses, protective clothing, and work gloves. Use quenching cloth for brazing operations. Have fire extinguisher available.
12. Excessive Weight Hazard - Use two or more people when moving and installing the unit. Failure to do so can result in back or other type of injury.
13. Take precautions to ensure Aluminum tubes do not come in direct contact or allow for condensate run off with a dissimilar metal. Dissimilar metals can cause galvanic corrosion and possible premature failure.
14. Failure to follow this caution may result in personal injury.
Sheet metal parts may have sharp edges or burrs. Use care and wear appropriate protective clothing and gloves when handling parts.

INTRODUCTION

Use this instruction manual to install indoor coil on multipoise furnaces.
The coil is enclosed in a casing.



Typical Coil Installation on Furnace

INSTALLATION

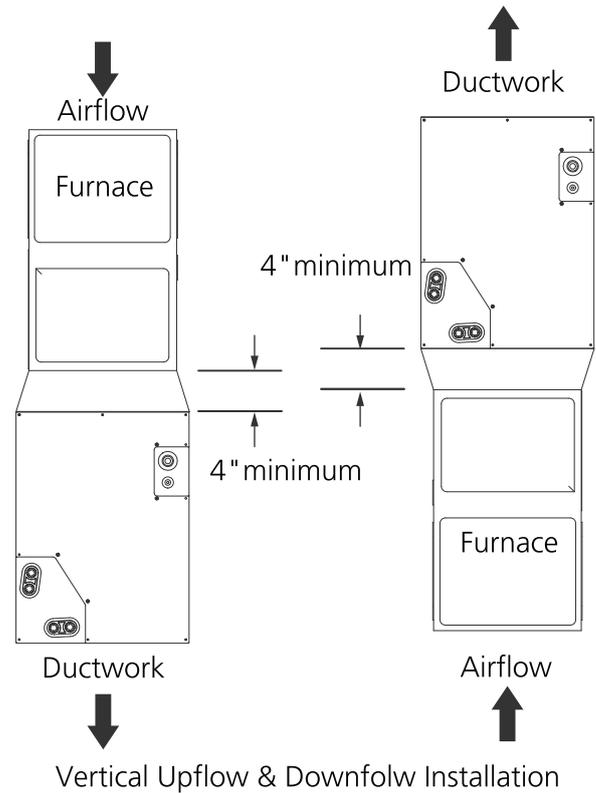
1. INSTALLATION OF EVAPORATOR COILS

Upflow coil installation

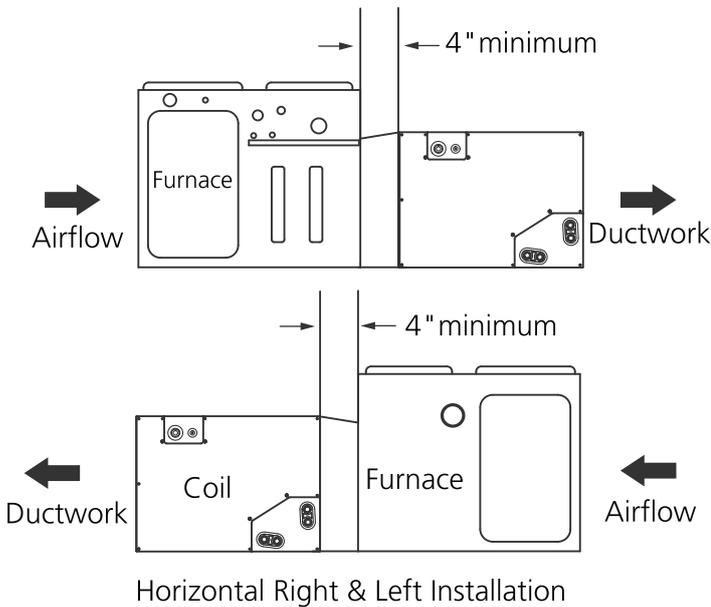
The cased coil is designed to fit furnaces of the same width.

1. Set coil in place on upflow furnace discharge air opening.
2. Ensure coil is level for proper condensate drainage. Do not tip coil toward condensate drain. Coil casing need not be fastened or screwed to furnace.
3. When installing wider coil on narrow furnace, create field fabricated adapter.

Installation



Adapter(s) Installation When Coil Overhangs Furnace

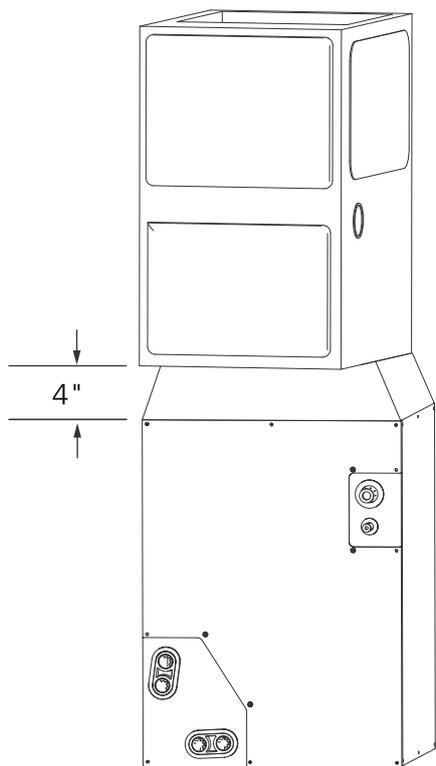


NOTE: On upflow installations where the indoor coil is placed in an unconditioned space, a 6" wide piece of insulation should be applied and wrapped around the outside of coil casing and supply duct contact point.

NOTE: Consult the furnace installation instructions for any special requirements when installing the coil to the furnace.

Downflow Coil Installation

IMPORTANT: Installing "A" coils rotated 90 degrees from the front of the furnace in downflow applications can cause water blow off or coil freeze up. This is due to the concentration of air on one coil slab or lack of air on the opposite coil slab. If the airflow is high due to ductwork or other causes, and there is a chance for water blow off, it is recommended that a 4-in. minimum field-supplied adapter be placed between the coil and the furnace to allow the air to distribute evenly to both coil slabs.



Downflow Installation with Coil Rotated 90°

4. Set cased coil on supply duct opening.
5. Place field fabricated 4-in. minimum adapter on coil casing. Adapter should be tapered to fit coil/furnace combination when one of them is larger than the other.
6. Set furnace on adapter.

NOTE: In downflow installation with a 4-way multipoise furnace, break off perforated duct flanges on furnace. See furnace installation instructions.

Horizontal Coil Installation

The unit can be installed on a work platform, secured to roof truss in attic, suspended from hangers on floor joists in crawl space, or installed on blocks. It is designed to allow airflow in either direction, to mate with horizontal-left or horizontal-right furnace installations. Ensure coil cabinet is level side to side and front to back. It is allowable to add up to 1/2-in. additional slope over length and depth of coil cabinet in the direction of drain pan connection.

Horizontal Right Installation

1. Use field fabricated attachment plates to secure coil to furnace.
2. Use self-tapping screws to mount attachment plates to coil casing.
3. Connect furnace snugly against coil casing.
4. Use self-tapping screws to attach furnace.
5. Seal joint between coil casing and furnace to create an air tight seal using locally approved materials.
6. If coil is wider than furnace, use 4-in. minimum transition and self tapping screws to attach furnace.

Horizontal Left Installation

1. Unbend the 4 tabs at the right side of the casing.
2. Connect furnace snugly against coil casing.
3. Use self-tapping screws to attach furnace.
4. Seal joint between coil casing and furnace to create air tight seal using locally approved materials.
5. If coil is wider than furnace, use 4-in. Minimum transition and self tapping screws to attach furnace.

2. REFRIGERANT LINE CONNECTIONS

WARNING

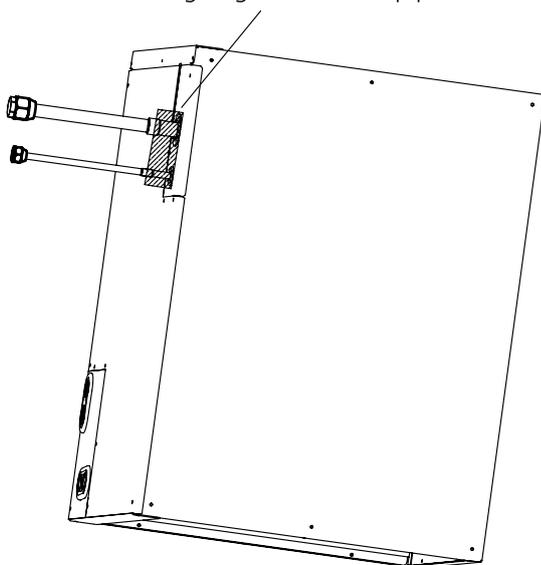
- Failure to follow this warning could result in personal injury. Wear eye protection.
- Coil is factory charged with 15 psi nitrogen. The coil is under pressure and TXV screen is in place behind liquid line plug. DO NOT remove liquid line plug first, always remove the suction line plug first to depressurize the coil.

NOTE: Factory nitrogen charge may escape past rubber plugs during storage. This does not indicate a leaking coil nor warrant return of the coil.

Size and install refrigerant lines according to information provided with outdoor unit. Coil connection tube sizes are shown in Table . Route refrigerant lines to the coil in a manner that will not obstruct service access to the unit or removal of the filter.

Do not use damaged, dirty, or contaminated tubing because it may plug refrigerant flow-control device. ALWAYS evacuate the coil and field-supplied tubing before opening outdoor unit service valves.

Please cover it with a wet towel when you are going to weld the pipe.



3. CONNECT REFRIGERANT, LIQUID, and SUCTION LINES

For matched systems, use line sizes recommended in outdoor unit Installation Instructions.

CAUTION

Failure to follow this caution may result in property damage. Take precautions to ensure Aluminum tubes do not come in direct contact or allow for condensate run off with a dissimilar metal. Dissimilar metals can cause galvanic corrosion and possible premature failure.

The coil can be connected to outdoor units using field-supplied tubing of refrigerant grade.

Always evacuate tubing and reclaim refrigerant when making connections or flaring tubing. Leak check connections before insulating entire suction line.

See Table for coil connection tube size.

1. Remove cabinet access door.
2. Remove rubber plugs, suction plug then liquid plug, from coil stubs using a pulling and twisting motion. Hold coil stubs steady to avoid bending or distorting.
3. Remove tubing plate with rubber grommets and slide plate with grommets onto the refrigerant lines (field line-set), away from braze joints.
4. Fit refrigerant lines into coil stubs. Wrap a heat sinking material such as a wet cloth behind braze joints.
5. Wrap TXV and nearby tubing with a heat-sinking material such as a wet cloth.
6. Use 1/2 psig Nitrogen purge in the suction and out the the liquid line.
7. Braze using a Sil-Fos or Phos-copper alloy. Do not use soft solder.

8. After brazing, allow joints to cool. Carefully remove TXV bulb insulation and verify that the TXV bulb is securely fastened with hose clamp. Tighten screw a half-turn past hand tight with TXV bulb placed in the indentation with full contact with the vapor line tube. Re-wrap TXV bulb with insulation.
9. Leak check connections before insulating entire suction line.
10. Slide tubing plate with rubber grommets over joints. Position tubing at center of each grommet to ensure an air seal around the tube. Reinstall cabinet door.

CAUTION

Failure to follow this caution may result in product damage.
To avoid valve damage to the refrigerant control device while brazing, valves must be wrapped with a heat-sinking material such as a wet cloth.

4. REFRIGERANT METERING DEVICE

These Coils have a factory installed hard shut-off TXV designed only for use with R-410A refrigerant. Use only with outdoor units designed for R-410A.
NOTE: ALL TXV'S HAVE PRESET SUPERHEAT SETTINGS AND ARE FIELD NON-ADJUSTABLE.

CAUTION

Failure to follow this caution may result in product damage.
DO NOT BURY MORE THAN 36 IN. OF REFRIGERANT TUBING IN GROUND. If any section of tubing is buried, there must be a 6 in. vertical rise to the valve connections on the outdoor unit. If more than the recommended length is buried, refrigerant may migrate to cooler buried section during extended periods of unit shutdown, causing refrigerant slugging and possible compressor damage at start-up.

5. CONDENSATE DRAIN LINE CONNECTION

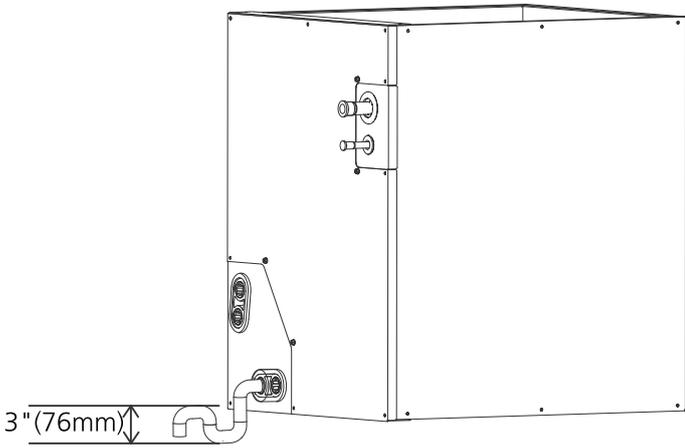
CAUTION

Failure to follow this caution may result in property damage.
When installing over a finished ceiling and/or living area, install a field-fabricated secondary condensate pan under the entire unit.

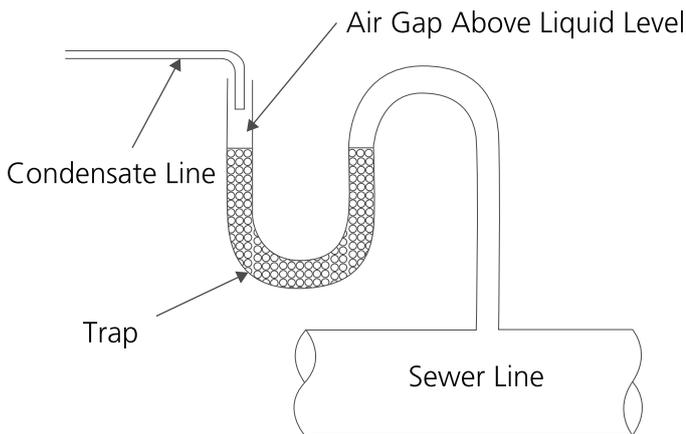
The coil is designed to dispose of accumulated water through built-in condensate drain fittings. It is recommended that PVC fittings be used on the condensate pan. Do not over-tighten. Finger tighten plus 1-1/2 turns. Be sure to install plastic plug in unused condensate drain fitting. Two 3/4 inch female threaded pipe connections are provided in each coil condensate pan. A trap is not necessary on the condensate line if on the supply air side of furnace. Consult local codes for additional restrictions or precautions. If local codes require a trap then the following guidelines are suggested to assure proper drainage. Install a trap in condensate line of coil as close to the coil as possible. Make trap at least 3 inches (76 mm) deep and no higher than the bottom of unit condensate drain opening. Pitch condensate line 1 inch (25.4 mm) for every 10 ft. of length to an open drain or sump. Make sure that the outlet of each trap is below its connection to condensate pan to prevent condensate from overflowing the drain pan. Prime all traps, test for leaks, and insulate traps and lines if located above a living area.

WARNING

- Failure to follow this warning could result in personal injury or death.
Provide trap with air gap in drain line when connecting to waste (sewer) line.



NOTE: If unit is located in or above a living space, where damage may result from condensate overflow, a field-supplied, external condensate pan should be installed underneath the entire unit, and a secondary condensate line (with appropriate trap) should be run from the unit into the pan. Any condensate in this external condensate pan should be drained to a noticeable place. As an alternative to using an external condensate pan, some localities may allow the running of a separate 3/4 inch (19 mm) condensate line (with appropriate trap) per local code to a place where the condensate will be noticeable. The owner of the structure must be informed that when condensate flows from secondary drain or external condensate pan, the unit requires servicing or water damage will occur. To further protect against water damage, install a float switch to shut the unit off if the water in the secondary pan gets too high.

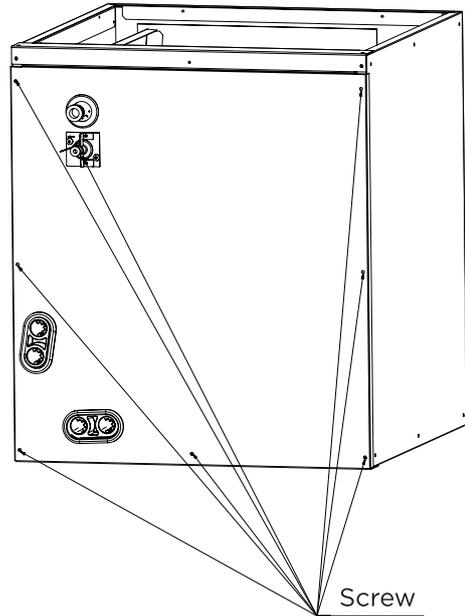


6. WASTE LINE CONNECTION

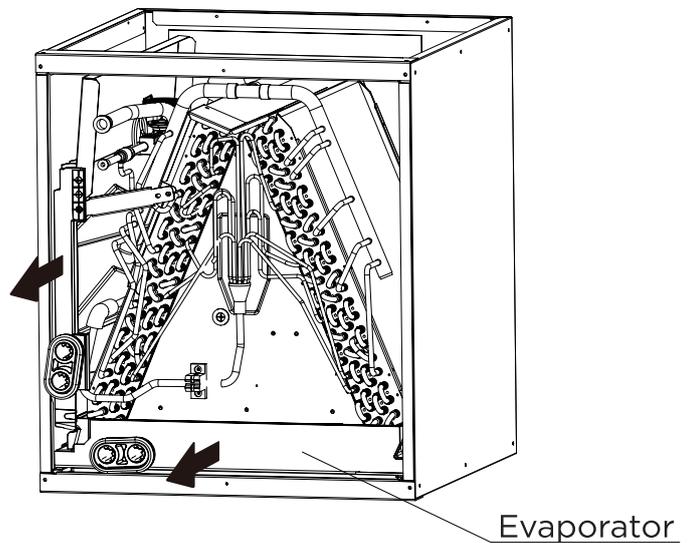
If the condensate line is to be connected to a waste (sewer) line, an open trap must be installed ahead of the waste line to prevent escape of sewer gases.

7. REMOVE COIL FROM THE CASE

STEP 1 Remove these screws and remove the upper panel.



STEP 2 Pull out the evaporator.



CARE AND MAINTENANCE

To continue high performance and minimize possible equipment failure, it is essential that periodic maintenance be performed on this equipment. Consult your local dealer as to the proper frequency of maintenance, but it should be done at least annually.

The ability to properly perform maintenance on this equipment requires certain mechanical skills and tools. If you do not possess these, contact your dealer for maintenance. The only consumer service recommended or required is filter replacement or cleaning on a monthly basis.



CAUTION

Failure to follow this caution may result in environmental damage.

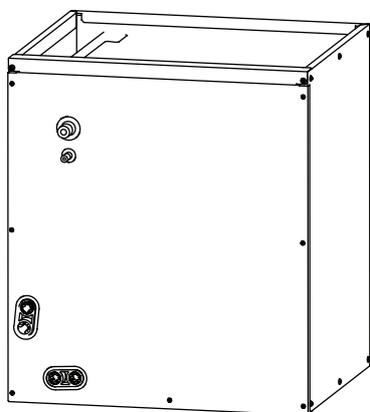
Remove and recycle all components or materials (i.e., oil, refrigerant, etc.) before unit final disposal.

The design and specifications are subject to change without prior notice for product improvement. Consult with the sales agency or manufacturer for details. Any updates to the manual will be uploaded to the service website, please check for the latest version.

QS002UI-ACOIL

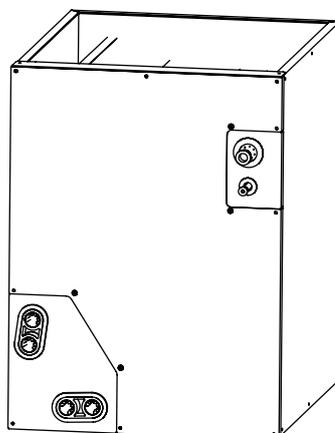
Évaporateur multi position pour thermopompe
avec TXV - R410A

Manuel d'utilisateur & Manuel d'installation



(Ancien modèle)

CUB24HAC20BWT7A 17.5" x 21" x 18"
CUB36HAC20CWT7A 21" x 21" x 24"
CUB48HAC20CWT7A 21" x 21" x 24"
CUB60HAC20DWT7A 24.5" x 21" x 28"



(Nouveau modèle)

CUB36HAC20BWT7A 17.5" x 21" x 24"

OBSERVATION IMPORTANTE :



Lire attentivement ce manuel avant d'installer ou d'utiliser le nouveau climatiseur. Conserver ce manuel pour toute référence ultérieure.

Ce manuel s'applique à la fois au nouveau et à l'ancien modèle, avec seulement de légères différences d'apparence.

Sommaire

PRÉCAUTIONS DE SÉCURITÉ.....	4
INTRODUCTION.....	7
INSTALLATION.....	8
1. INSTALLATION DES SERPENTINS DE L'ÉVAPORATEUR	8
2. CONNEXIONS DES LIGNES DE RÉFRIGÉRANT.....	10
3. CONNECTER LES LIGNES DE RÉFRIGÉRANT, DE LIQUIDE, ET D'ASPIRATION.....	10
4. DISPOSITIF DE MESURE DU RÉFRIGÉRANT	11
5. CONNEXION DE LA LIGNE D'ÉVACUATION DES CONDENSATS.....	11
6. CONNEXION DE LA LIGNE DE DÉCHETS.....	12
7. RETIREZ LA BOBINE DU BOÎTIER.....	12
ENTRETIEN ET MAINTENANCE	13

PRÉCAUTIONS DE SÉCURITÉ

Lire les consignes de sécurité avant l'utilisation et l'installation

Une installation incorrecte en raison du non-respect des instructions peut causer de graves dommages ou des blessures.

La gravité des dommages ou blessures potentiels est classée soit par **AVERTISSEMENT** ou par **ATTENTION**.



AVERTISSEMENT

Ce symbole indique la possibilité de blessures ou de pertes de vie.



ATTENTION

Ce symbole indique la possibilité de dommages matériels ou de conséquences graves.



AVERTISSEMENT

Cet appareil peut être utilisé par des enfants à partir de 8 ans, des personnes ayant des capacités physiques, mentales ou sensorielles limitées, ainsi qu'un manque d'expérience ou de connaissances, uniquement si elles ont reçu au préalable des consignes concernant la sécurité de fonctionnement, si elles sont surveillées et à condition qu'elles comprennent les dangers inhérents à l'usage de cet appareil. Les enfants ne doivent pas jouer avec l'appareil. Le nettoyage et la maintenance ne seront pas effectués par des enfants sans surveillance.

Cet appareil n'est pas destiné à être utilisé par des personnes (y compris des enfants) ayant des capacités physiques ou mentales réduites, ou manquant d'expérience et de connaissances, à moins qu'une personne responsable de leur sécurité ne les ait supervisées ou instruites. Surveiller les enfants pour assurer qu'ils ne jouent pas avec l'appareil.



AVERTISSEMENTS POUR L'UTILISATION DU PRODUIT

- En cas d'anomalie (comme une odeur de brûlure), il faut éteindre immédiatement l'unité et débrancher l'alimentation. Il faut appeler le revendeur pour des instructions afin d'éviter le choc électrique, l'incendie ou les blessures.
- **Ne pas** insérer les doigts, les tiges ou autres objets dans l'entrée ou la sortie d'air. Cela peut causer des blessures, car le ventilateur peut tourner à haute vitesse.
- **Ne pas** utiliser de sprays inflammables tels que la laque pour les cheveux, la laque ou la peinture près de l'unité. Cela peut provoquer un incendie ou une combustion.
- **Ne pas** faire fonctionner le climatiseur à proximité ou autour des gaz combustibles. Les gaz émis peuvent s'accumuler autour de l'unité et provoquer une explosion.
- **Ne pas** installer le climatiseur dans une pièce humide telle qu'une salle de bain ou une buanderie. Une exposition excessive à l'eau peut provoquer un court-circuit des composants électriques.
- **Ne pas** exposer le corps directement à l'air frais pendant une période de temps prolongée.
- **Ne pas** laisser les enfants jouer autour du climatiseur. Surveiller les enfants à tout moment autour de l'unité.
- Si le climatiseur est utilisé avec des brûleurs ou d'autres unités de chauffage, aérer entièrement la salle pour éviter une carence en oxygène.
- Dans certains environnements, tels que les cuisines, les salles de serveurs, etc., l'utilisation d'unités de climatisation spécialement conçues est fortement recommandée.
- Une installation, un réglage, une modification, un service ou une maintenance incorrects peuvent provoquer des dommages matériels, des blessures ou des morts. L'installation et l'entretien seront assurés par un installateur professionnel agréé CVC ou équivalent, une agence de service ou le fournisseur de gaz.

AVERTISSEMENTS DE NETTOYAGE ET DE MAINTENANCE

- Éteindre le dispositif et débrancher l'alimentation avant le nettoyage. La négligence de cette opération peut provoquer un choc électrique.
- **Ne pas** nettoyer le climatiseur avec des quantités excessives d'eau.
- **Ne pas** nettoyer le climatiseur avec des produits de nettoyage inflammables. Les produits de nettoyage combustibles peuvent provoquer un incendie ou une déformation.



ATTENTION

- Éteindre le climatiseur et débrancher l'alimentation si l'on ne l'utilise pas pendant une longue période.
- Éteindre et débrancher l'unité pendant les tempêtes.
- Assurer que la condensation de l'eau puisse s'écouler sans entrave de l'unité.
- **Ne pas** faire fonctionner le climatiseur avec les mains mouillées. Cela peut provoquer un choc électrique.
- **Ne pas** utiliser l'unité à d'autres fins que l'utilisation prévue.
- **Ne pas** monter sur ou placer des objets sur le dessus de l'unité extérieure.
- **Ne pas** laisser le climatiseur fonctionner pendant de longues périodes avec des portes ou des fenêtres ouvertes, ou lorsque l'humidité est très élevée.
- Comme pour tout équipement mécanique, le contact avec des bords de tôle tranchants peut entraîner des blessures corporelles. Faire attention lors des opérations de cet équipement et porter des gants et des vêtements de protection.



AVERTISSEMENTS ÉLECTRIQUES

- Utiliser uniquement le câble d'alimentation spécifié. Si le câble d'alimentation est endommagé, faire remplacer ce câble par le fabricant, son agent de service ou des personnes de qualification similaire pour éviter tout risque.
- Garder la fiche d'alimentation propre. Enlever toute la poussière ou la saleté s'accumulant sur ou autour de la fiche. Des fiches sales peuvent provoquer un incendie ou un choc électrique.
- **Ne pas** tirer le câble d'alimentation pour débrancher l'unité. Tenir fermement la fiche et retirer-la de la prise. Le tirage direct sur le câble peut l'endommager, et provoquer un incendie ou un choc électrique.
- **Ne pas** modifier la longueur du câble d'alimentation ou utiliser un câble de rallonge pour alimenter l'unité.
- **Ne pas** partager la prise électrique avec d'autres appareils. Alimentation incorrecte ou insuffisante peut provoquer un incendie ou un choc électrique.
- Le produit sera mis à la terre au moment de l'installation, sinon, le choc électrique peut-être se produire.
- Pour toutes les opérations sous tension, il faut suivre toutes les normes de câblage locales et nationales, les réglementations et le manuel d'installation. Connecter les câbles étroitement et les serrer fermement pour éviter que des forces externes n'endommagent le terminal. Des connexions électriques incorrectes peuvent surchauffer et provoquer un incendie, ainsi que des chocs. Tous les raccordements électriques seront assurés conformément au schéma de raccordement électrique situé sur les panneaux des unités intérieures et extérieures.
- Tout le câblage sera correctement disposé pour que le couvercle du panneau de commande puisse se fermer correctement. Si le couvercle du panneau de commande n'est pas correctement fermé, cela peut entraîner de la corrosion et provoquer les points de connexion sur la borne à chauffer, s'enflammer ou provoquer un choc électrique.
- Si l'on raccorde l'alimentation à un câblage fixe, un dispositif de déconnexion tout pôle ayant au moins 3mm d'espacement dans tous les pôles et un courant de fuite pouvant dépasser 10mA, le dispositif à courant différentiel résiduel ayant un courant de fonctionnement résiduel nominal ne dépassant pas 30mA, et la déconnexion sera intégrée au câblage fixe conformément aux règles de câblage.



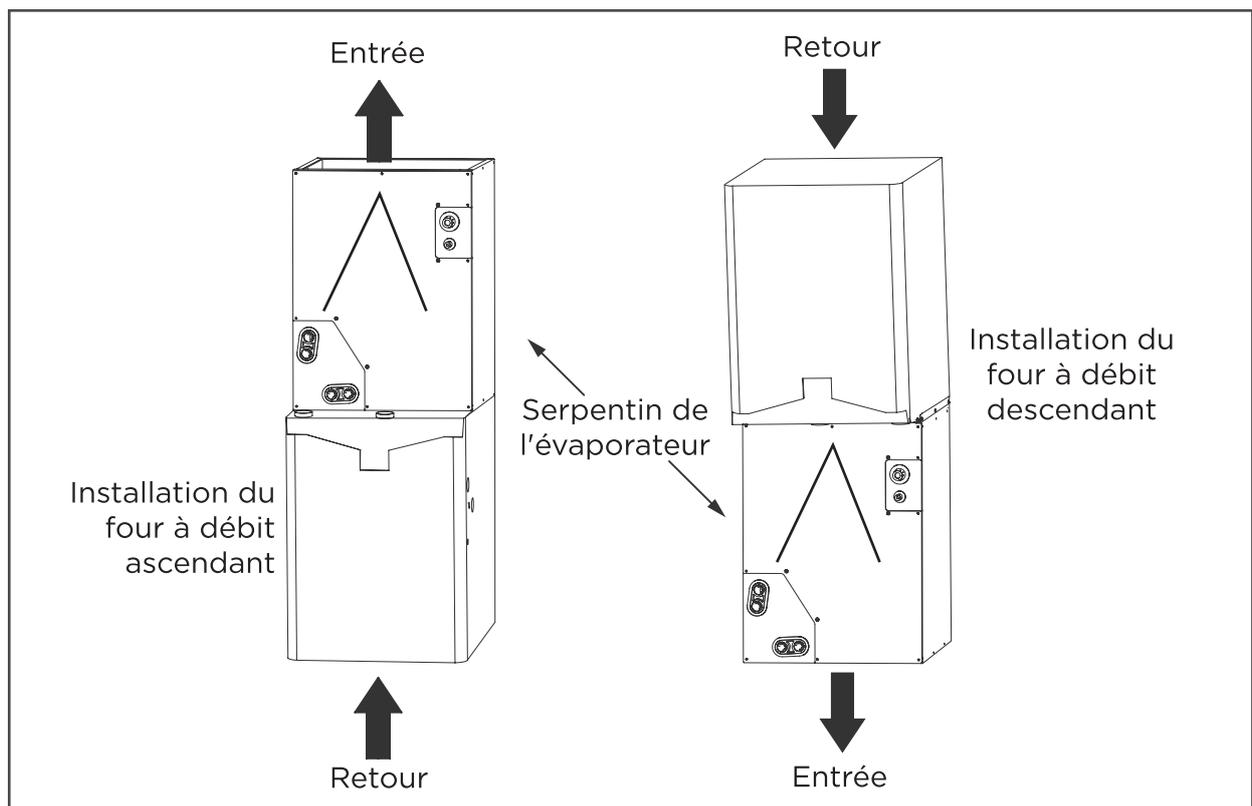
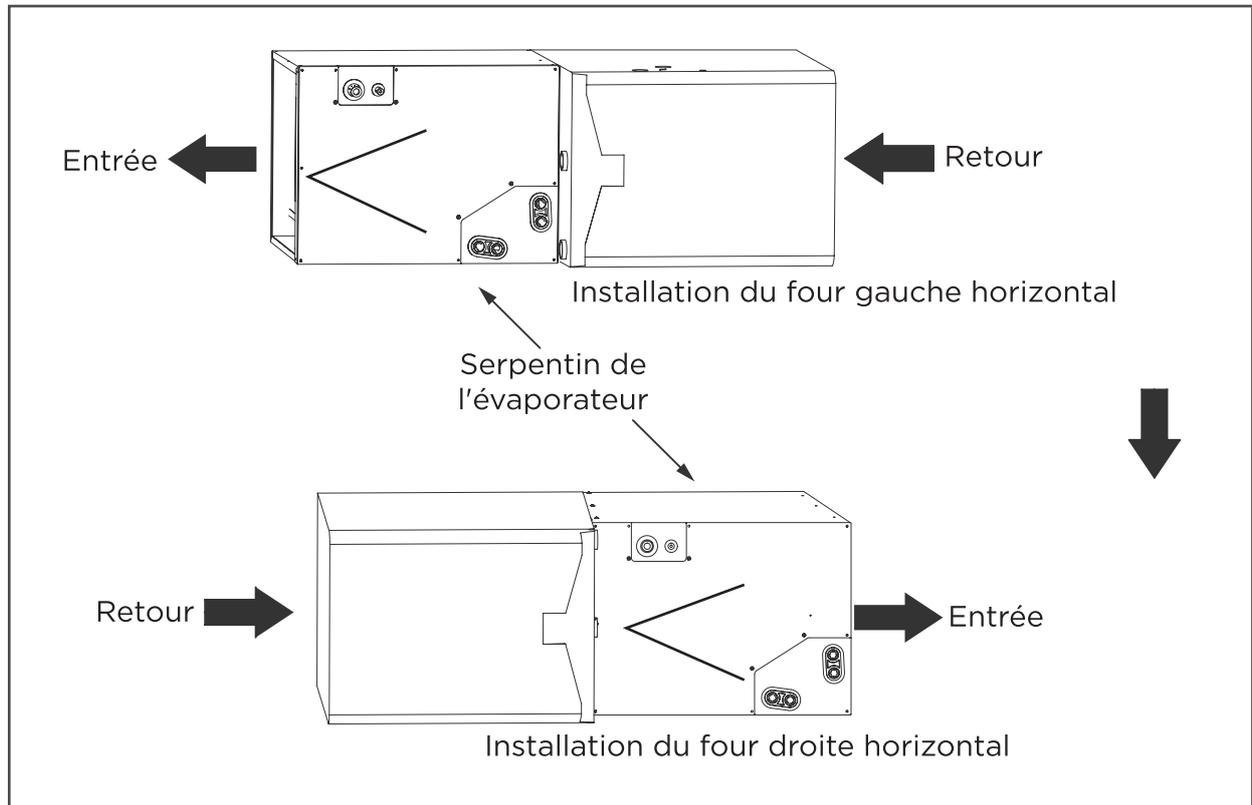
AVERTISSEMENTS POUR L'INSTALLATION DU PRODUIT

1. L'installation sera effectuée par un revendeur agréé ou un spécialiste. Une installation défectueuse peut provoquer une fuite d'eau, un choc électrique ou un incendie.
2. L'installation sera effectuée conformément aux instructions d'installation. Une installation incorrecte peut provoquer une fuite d'eau, un choc électrique ou un incendie.
(En Amérique du Nord, l'installation sera uniquement réalisée conformément aux exigences de NEC et CEC par un personnel autorisé.)
3. Contacter un technicien de service autorisé pour la réparation ou la maintenance de la présente unité. Installer l'appareil conformément aux réglementations de câblage nationales.
4. Utiliser uniquement les accessoires et les pièces fournis, ainsi que les outils spécifiés pour l'installation. L'utilisation de pièce non standard peut provoquer des fuites d'eau, des chocs électriques, des incendies et des dommages à l'unité.
5. Installer l'unité dans un emplacement ferme étant capable de supporter son poids. Si l'emplacement choisi ne peut pas supporter le poids de l'unité ou si l'installation n'est pas réalisée correctement, l'unité peut tomber et subir des blessures graves et des dommages.
6. Installer la tuyauterie de drainage conformément aux instructions de ce manuel. Un drainage insuffisant peut provoquer des dégâts d'eau à la maison et aux biens.
7. Pour les unités équipées d'un chauffage électrique auxiliaire, **ne pas** installer l'appareil à moins de 1 mètre (3 pieds) de tout matériau combustible.
8. **Ne pas** installer l'unité dans un endroit pouvant être exposé à fuite des gaz combustibles. Si le gaz combustible s'accumule autour de l'unité, cela peut provoquer l'incendie.
9. Ne pas démarrer l'unité que lorsque tous les travaux sont terminés.
10. Lors du déplacement de climatiseur, consulter des techniciens de service expérimentés pour le débrancher et le réinstaller.
11. Respecter tous les codes de sécurité. Porter des lunettes de sécurité, des vêtements de protection et des gants de travail. Utiliser un tissu de trempe pour les opérations de brasage. Disposer d'un extincteur.
12. Risque de poids excessif - Faire appel à deux personnes ou plus pour déplacer et installer l'unité. Le non-respect de cette consigne peut entraîner des blessures au dos ou d'autres types.
13. Prendre des précautions pour assurer que les tubes en aluminium n'entrent pas en contact direct ou ne permettent pas l'écoulement du condensat avec un métal dissemblable. Des métaux dissemblables peuvent provoquer une corrosion galvanique et une éventuelle défaillance prématurée.
14. Le non-respect de cet avertissement peut entraîner des blessures corporelles.
Les pièces en tôle peuvent présenter des arêtes vives ou des bavures. Faire attention et porter des vêtements et des gants de protection appropriés lorsque l'on manipule des pièces.

INTRODUCTION

Utiliser ce manuel d'instructions pour installer le serpentin intérieur sur les fours multifonctionnels.

Le serpentin est enfermé dans une enveloppe.



Installation typique d'un serpentin sur le four

INSTALLATION

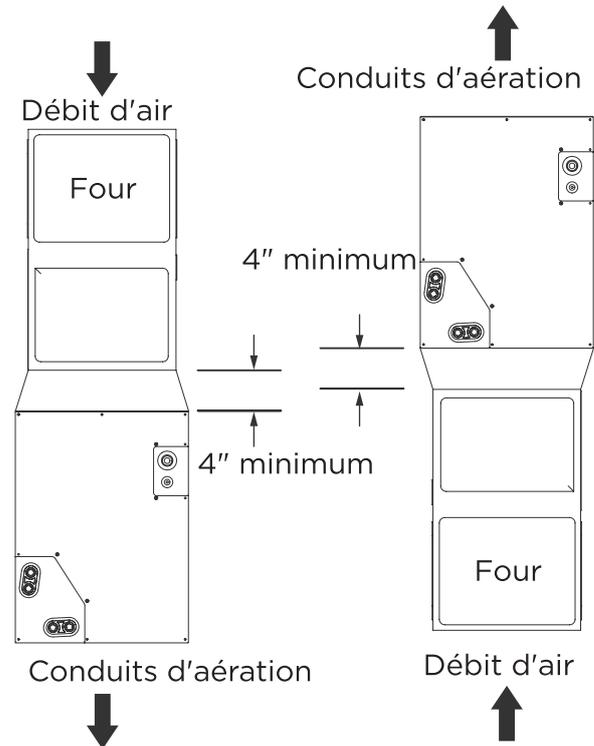
1. INSTALLATION DES SERPENTINS DE L'ÉVAPORATEUR

Installation d'un serpentin à débit ascendant

Le serpentin tubulaire est conçu pour s'adapter aux fours de la même largeur.

1. Mettre le serpentin en place sur l'ouverture d'air de décharge du four à débit ascendant.
2. Assurer que le serpentin est de niveau pour une bonne évacuation des condensats. Ne pas incliner le serpentin vers l'évacuation des condensats. L'enveloppe du serpentin ne sera pas fixée ou vissée au four.
3. Lors de l'installation d'un serpentin plus large sur un four étroit, créer un adaptateur fabriqué sur place.

Installation

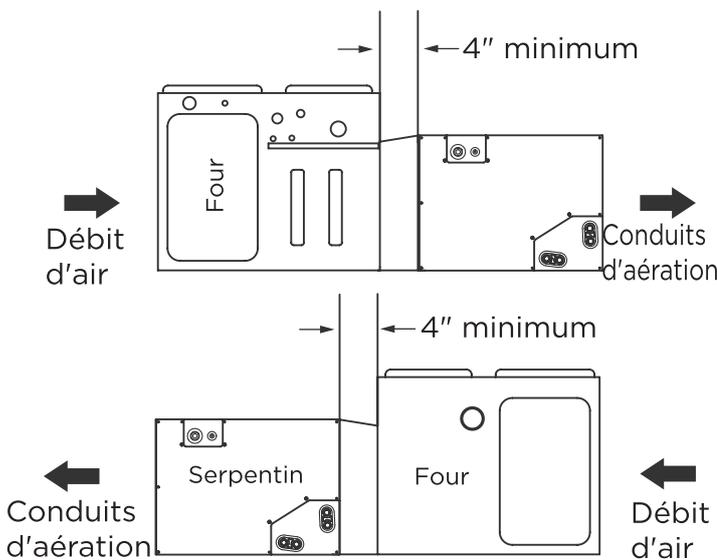


Installation verticale de débit ascendant et descendant

Adaptateur(s) Installation lorsque le serpentin surplombe le four

OBSERVATION : Sur les installations à débit ascendant où le serpentin intérieur est placé dans un espace non conditionné, un morceau d'isolation de 6" de large sera appliqué et enroulé autour de l'extérieur de l'enveloppe du serpentin et du point de contact du conduit d'alimentation.

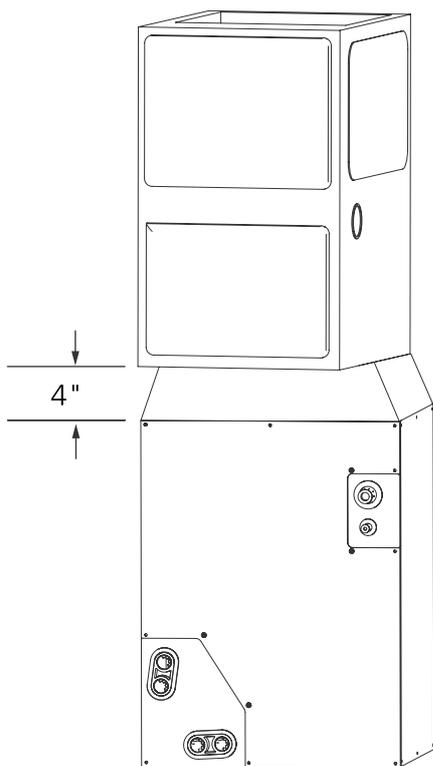
OBSERVATION : Consulter les instructions d'installation de la fournaise pour toute exigence particulière lors de l'installation du serpentin au four.



Installation horizontale à droite et à gauche

Installation d'un serpentin à débit descendant

IMPORTANT : L'installation de serpentins « A » tournés à 90 degrés par rapport à l'avant du four dans des applications à débit descendant peut provoquer une fuite d'eau ou le gel du serpentin. Ceci est dû à la concentration d'air sur une plaque de serpentin ou au manque d'air sur la plaque de batterie opposée. Si le débit d'air est élevé en raison de la présence de conduits ou d'autres causes, et qu'il y a un risque d'expulsion d'eau, il est recommandé de placer un adaptateur de 4 pouces minimum fourni sur place entre le serpentin et le four pour permettre à l'air de se répartir uniformément sur les deux dalles du serpentin.



Installation à débit descendant avec le serpentin tourné de 90°.

4. Placer le serpentin à gaine sur l'ouverture du conduit d'alimentation.
5. Placer l'adaptateur de 4 pouces minimum fabriqué sur place sur l'enveloppe du serpentin. L'adaptateur sera effilé pour s'adapter à la combinaison serpentin/four lorsque l'un d'eux est plus grand que l'autre.
6. Placer le four sur l'adaptateur.

OBSERVATION : Dans le cas d'une installation à débit descendant avec un four multifonctionnel à 4 voies, rompre les brides de conduit perforées sur la chaudière. Voir les instructions d'installation du four.

Installation de serpentins horizontaux

L'unité peut être installée sur une plate-forme de travail, fixée à la ferme du toit dans le grenier, suspendue à des cintres sur les solives du plancher dans le vide sanitaire, ou installée sur des blocs. Il est conçu pour permettre la circulation de l'air dans les deux sens, afin de s'adapter aux installations de fours horizontaux à gauche ou à droite. Assurer que l'armoire à serpentins est de niveau d'un côté à l'autre et de l'avant à l'arrière. Il est permis d'ajouter jusqu'à 1/2 pouce de pente supplémentaire sur la longueur et la profondeur de l'armoire du serpentin dans la direction du raccordement du bac de vidange.

Installation horizontale droite

1. Utiliser des plaques de fixation fabriquées sur place pour fixer le serpentin au four.
2. Utiliser des vis autotaraudeuses pour monter les plaques de fixation sur l'enveloppe du serpentin.
3. Raccorder le four à l'enveloppe du serpentin en le serrant bien.
4. Utiliser des vis autotaraudeuses pour fixer le four.
5. Sceller le joint entre l'enveloppe du serpentin et le four pour créer un joint étanche à l'air en utilisant des matériaux approuvés localement.
6. Si le serpentin est plus large que le four, utiliser une transition de 4 pouces minimum et des vis autotaraudeuses pour fixer la fournaise.

Installation horizontale gauche

1. Déplier les 4 languettes sur le côté droit de l'enveloppe.
2. Raccorder le four à l'enveloppe du serpentin en le serrant bien.
3. Utiliser des vis autotaraudeuses pour fixer le four.
4. Sceller le joint entre l'enveloppe du serpentin et le four pour créer un joint étanche à l'air en utilisant des matériaux approuvés localement.
5. Si le serpentin est plus large que le four, utiliser une transition minimale de 4 pouces et des vis autotaraudeuses pour fixer la fournaise.

2. CONNEXIONS DES LIGNES DE RÉFRIGÉRANT



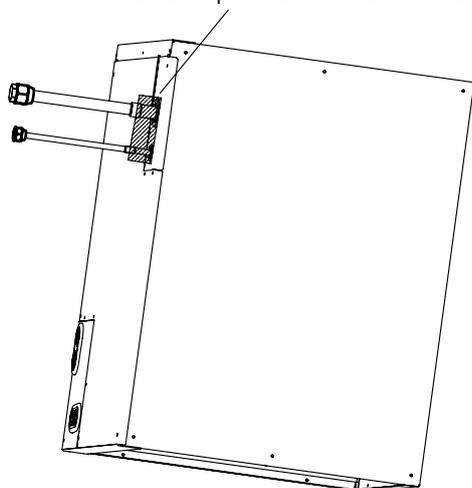
AVERTISSEMENT

- Le non-respect de cet avertissement peut entraîner des blessures corporelles. Porter des lunettes de protection.
- Le serpentin est chargé en usine avec de l'azote à 15 psi. Le serpentin est sous pression et l'écran TXV est en place derrière le bouchon de la ligne liquide. NE PAS retirer le bouchon de la conduite de liquide en premier, mais toujours le bouchon de la conduite d'aspiration en premier pour dépressuriser le serpentin.

OBSERVATION : La charge d'azote de l'usine peut s'échapper des bouchons en caoutchouc pendant le stockage. Cela n'indique pas que le serpentin fuit et ne justifie pas le retour du serpentin. Dimensionner et installer les conduites de réfrigérant conformément aux informations fournies avec l'unité extérieure. Les dimensions des tubes de raccordement des serpentins sont indiquées dans le tableau. Acheminer les conduites de réfrigérant vers le serpentin de manière à ne pas entraver l'accès à l'unité pour l'entretien ou le retrait du filtre.

Ne pas utiliser les tuyaux endommagés, sales ou contaminés, car ils pourraient boucher le dispositif de contrôle du débit de réfrigérant. Évacuer TOUJOURS le serpentin et les tuyaux fournis par le client avant d'ouvrir les vannes de service de l'unité extérieure.

Couvrir le tuyau avec une serviette humide lorsque l'on va le souder.



3. CONNECTER LES LIGNES DE RÉFRIGÉRANT, DE LIQUIDE, ET D'ASPIRATION

Pour les systèmes appariés, utiliser les tailles de ligne recommandées dans les instructions d'installation de l'unité extérieure.



ATTENTION

Le non-respect de cet avertissement peut entraîner des dommages matériels. Prendre des précautions pour vous assurer que les tubes en aluminium n'entrent pas en contact direct ou ne permettent pas l'écoulement du condensat avec un métal dissemblable. Des métaux dissemblables peuvent provoquer une corrosion galvanique et une éventuelle défaillance prématurée.

Le serpentin peut être raccordé aux unités extérieures à l'aide de tubes de qualité réfrigérante fournis sur place.

Faire toujours le vide dans les tuyaux et récupérer le réfrigérant si l'on effectue des raccordements ou que l'on évase des tuyaux. Vérifier l'étanchéité des raccords avant d'isoler toute la ligne d'aspiration.

Voir le tableau pour la taille du tube de connexion du serpentin.

1. Retirer la porte d'accès à l'armoire.
2. Retirer les bouchons en caoutchouc, le bouchon d'aspiration puis le bouchon de liquide, des bouts de serpentin en les tirant et en les tournant. Tenir les bouts de serpentin de manière stable pour éviter de les plier ou de les déformer.
3. Retirer la plaque de tubes avec les passe-fils en caoutchouc et faire glisser la plaque avec les passe-fils sur les lignes de réfrigérant (jeu de lignes de terrain), à l'écart des joints de brasage.
4. Installer les conduites de réfrigérant dans les bouts du serpentin. Envelopper un matériau absorbant la chaleur, tel qu'un chiffon humide, derrière les joints de brasure.
5. Envelopper le TXV et les tuyaux à proximité avec un matériau absorbant la chaleur tel qu'un chiffon humide.
6. Utiliser une purge d'azote à 1/2 psig dans l'aspiration et dans la conduite de liquide.
7. Braser en utilisant un alliage Sil-Fos ou Phos-cuivre. Ne pas utiliser la soudure tendre.

8. Après le brasage, laisser les joints refroidir. Retirer avec précaution l'isolation de la poire TXV et vérifier que la poire TXV est bien fixée avec un collier de serrage. Serrer la vis d'un demi-tour au-delà du serrage à la main avec la poire du TXV placée dans l'indentation en contact total avec le tube de la conduite de vapeur. Envelopper à nouveau l'ampoule du TXV avec de l'isolant.
9. Vérifier l'étanchéité des raccords avant d'isoler toute la ligne d'aspiration.
10. Faire glisser la plaque de tubage avec les œilletons en caoutchouc sur les joints. Placer le tube au centre de chaque œillet pour assurer l'étanchéité autour du tube. Réinstaller la porte de l'armoire.



ATTENTION

Le non-respect de cet avertissement peut entraîner des dommages au produit. Pour éviter d'endommager le dispositif de contrôle du réfrigérant lors du brasage, les vannes seront enveloppées d'un matériau absorbant la chaleur, tel qu'un chiffon humide.

4. DISPOSITIF DE MESURE DU RÉFRIGÉRANT

Ces serpentins sont équipés d'une vanne d'arrêt rigide installée en usine et conçue uniquement pour être utilisée avec le réfrigérant R-410A. Utiliser uniquement des unités extérieures conçues pour le R-410A. OBSERVATION : TOUS LES TXV ONT DES RÉGLAGES DE SURCHAUFFE PRÉDÉFINIS ET NE SONT PAS RÉGLABLES SUR PLACE.



ATTENTION

Le non-respect de cet avertissement peut entraîner des dommages au produit. NE PAS ENTERRER PLUS DE 36 POUCHES DE TUYAU DE RÉFRIGÉRANT DANS LE SOL. Si une section du tuyau est enterrée, il doit y avoir une élévation verticale de 6 pouces jusqu'aux raccords de la vanne sur l'unité extérieure. Si la longueur d'enfouissement est supérieure à la longueur recommandée, le réfrigérant peut migrer vers la section enfouie la plus froide pendant les périodes d'arrêt prolongées de l'unité, provoquant une accumulation de réfrigérant et une détérioration possible du compresseur au démarrage.

5. CONNEXION DE LA LIGNE D'ÉVACUATION DES CONDENSATS



ATTENTION

Le non-respect de cet avertissement peut entraîner des dommages matériels. En cas d'installation au-dessus d'un plafond fini et/ou d'une zone de vie, installer un bac à condensats secondaire fabriqué sur place sous l'ensemble de l'unité.

Le serpentin est conçu pour évacuer l'eau accumulée grâce à des raccords intégrés de purge des condensats.

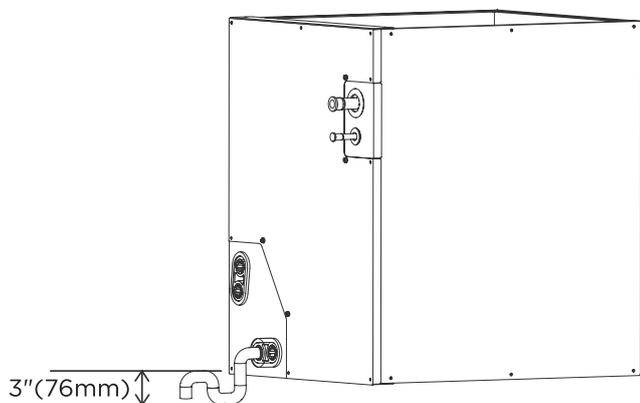
Il est recommandé d'utiliser des raccords en PVC sur le bac à condensats. Ne pas trop serrer. Serrer à la main plus 1-1/2 tour. Veiller à installer un bouchon en plastique dans le raccord de vidange du condensat non utilisé. Deux raccords de tuyau filetés femelle de 3/4 pouce sont prévus dans chaque bac à condensat de serpentin.

Il n'est pas nécessaire d'installer un piège sur la conduite de condensat si elle se trouve du côté de l'air d'alimentation du four. Consulter les codes locaux pour connaître les restrictions ou les précautions supplémentaires. Si les codes locaux exigent un piège, les directives suivantes sont suggérées pour assurer un drainage correct. Installer un piège dans la conduite de condensat du serpentin, aussi près que possible du serpentin. Le piège doit avoir une profondeur d'au moins 3 pouces (76 mm) et ne doit pas être plus haut que le fond de l'orifice d'évacuation des condensats de l'unité. Faire un pas de 1 pouce (25,4 mm) dans la conduite de condensat pour chaque 10 pieds de longueur vers un drain ouvert ou un puisard. Veiller à ce que la sortie de chaque purgeur se trouve en dessous de son raccordement au bac à condensats pour éviter que les condensats ne débordent du bac. Amorcer tous les pièges, tester les fuites et isoler les pièges et les conduites s'ils sont situés au-dessus d'une zone d'habitation.

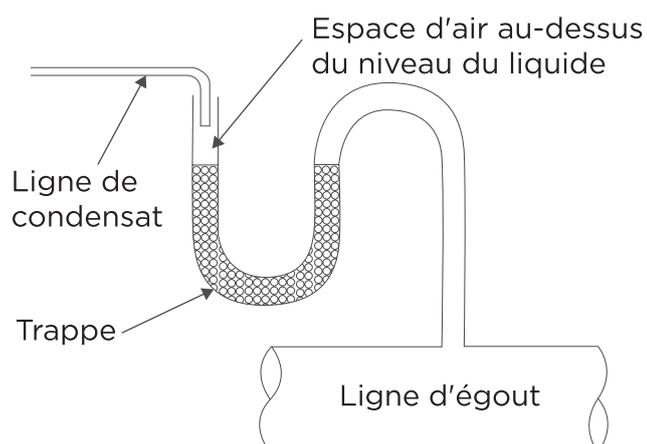


AVERTISSEMENT

- Le non-respect de cet avertissement peut entraîner des blessures corporelles ou la mort. Prévoir un piège avec un espace d'air dans la conduite d'évacuation lors du raccordement à la conduite d'évacuation (égout).



OBSERVATION : Si l'unité est située dans ou au-dessus d'une pièce d'habitation, où des dommages peuvent être causés par un débordement de condensat, un bac à condensat externe fourni sur place sera installé sous l'ensemble de l'unité, et une conduite de condensat secondaire (avec un piège approprié) sera acheminée de l'unité au bac. Tout condensat présent dans ce bac à condensat externe sera évacué vers un endroit visible. Comme alternative à l'utilisation d'un bac à condensat externe, certaines localités peuvent autoriser le passage d'une conduite de condensat séparée de 3/4 de pouce (19 mm) (avec un piège approprié) conformément au code local vers un endroit où le condensat sera visible. Le propriétaire de la structure sera informé que lorsque le condensat s'écoule du drain secondaire ou du bac à condensat externe, l'unité sera réparée ou un dégât des eaux se produira. Pour une protection supplémentaire contre les inondations, installer un interrupteur à flotteur pour arrêter l'unité si l'eau dans le bac secondaire devient trop élevée.

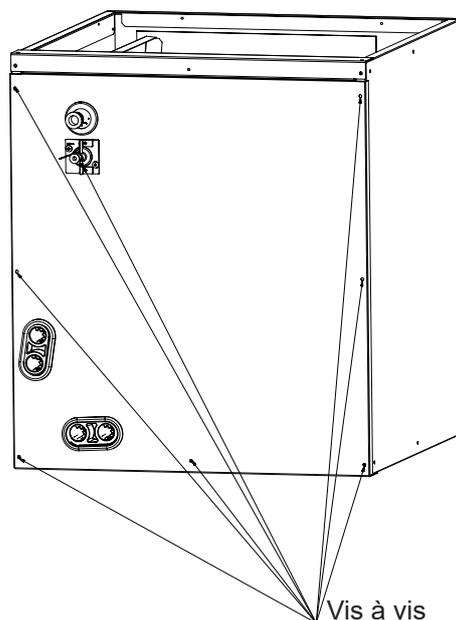


6. CONNEXION DE LA LIGNE DE DÉCHETS

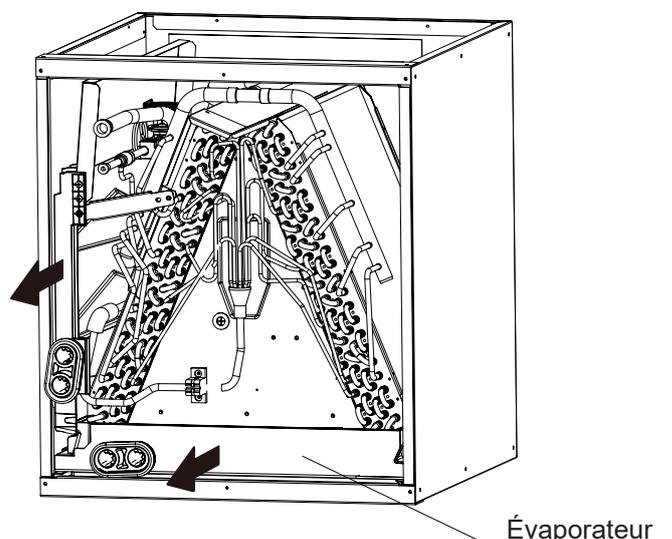
Si la conduite de condensat sera raccordée à une conduite d'évacuation (égout), un piège ouvert sera installé en amont de la conduite d'évacuation pour empêcher les gaz d'égout de s'échapper.

7. RETIREZ LA BOBINE DU BOÎTIER

ÉTAPE 1 Retirez ces vis et retirez le panneau supérieur



ÉTAPE 2 Retirez l'évaporateur



ENTRETIEN ET MAINTENANCE

Pour maintenir des performances élevées et minimiser les éventuelles défaillances de l'équipement, il est essentiel d'effectuer une maintenance périodique de cet équipement. Il faut consulter le revendeur local pour connaître la fréquence appropriée de l'entretien, mais celui-ci sera effectué au moins une fois par an.

La capacité d'effectuer correctement l'entretien de cet équipement exige certaines compétences mécaniques et certains outils. Si vous ne les possédez pas, il faut contacter le revendeur pour la maintenance. Le seul service au consommateur recommandé ou requis est le remplacement ou le nettoyage du filtre sur une base mensuelle.



ATTENTION

Le non-respect de cet avertissement peut entraîner des dommages à l'environnement.

Retirer et recycler tous les composants ou matériaux (c'est-à-dire l'huile, le réfrigérant, etc.) avant l'élimination finale de l'unité.

La conception et les spécifications sont sujettes à changement sans préavis pour l'amélioration du produit. Consulter l'agence de vente ou le fabricant pour plus de détails.

Toute mise à jour du manuel sera téléchargée sur le site web du service, veuillez vérifier la dernière version.

QS002UI-ACOIL