

SUBMITTAL - 18,000BTU WALL-MOUNT - M28

Job Name: _____
Location: _____
Engineer: _____
Submitted By: _____
Submitted To: _____

Submitted For: _____ **Approval**
Reference **Construction**
Date: _____
Unit Tag: _____
Drawing No.: _____

WARRANTY

Standard 10 Years Parts & Compressor
Terms & Conditions Apply.

TYPE

Air Source Heat Pump
 Cold Climate Air Source Heat Pump

MODELS

Indoor	DMA18HIW25230E8
Outdoor	DMA18HOS28230E8

CAPACITY RANGE¹

Output (Btu/h)	Min.	Rated	Max.
Cooling	6574	18000	19127
Heating	8417	18000	23211

HEATING PERFORMANCE²

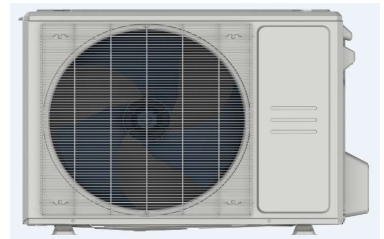
Output (Btu/h)	Min.	Rated	Max.
47°F (8.3°C)	8417	18000	23211
17°F (-8.3°C)	3903	15000	19200
5°F (-15°C)	2651	18000	18571
-22°F (-30°C)		8000	8000

OUTDOOR TEMPERATURE OPERATING RANGE

Cooling	-30 ~ 50 °C	-22 ~ 122 °F
Heating ³	-30 ~ 24 °C	-22 ~ 75 °F

LINE SET & REFRIGERANT

Liquid (in.)	1/4"	Gas (in.)	1/2"
Connection Type	Flared		
Pre-Charge Length (ft)	25		
Max. Length (ft)	98.4		
Max. Height Difference (ft)	65.6		
Refrigerant Type	R410A		
Pre-Charge (oz)	65.26		
Additional Charge per Foot (oz)	0.16		
Oil Type	VG74	Oil Volume (ml)	620
Drain Pipe O.D. (mm)	19		



Images for reference only.

CERTIFIED

AHRI NO.	 
207742497	

EFFICIENCY RATINGS

SEER2	21.5			
EER2	12.5			
HSPF2 (4)	11.3			
HSPF2 (5)	7.9			
COP ²	47°F (8.3°C)	17°F (-8.3°C)	5°F (-15°C)	-22°F (-30°C)
	3.1	2.35	1.8	1.19

ELECTRICAL

Power Supply	(V/Ph/Hz)	208-230/1/60		
Voltage Range	(V)	187-253		
MCA (A)	20	Max Fuse (ODU) (A)	25	
Power Input (W)	Min.	Rated	Max.	
	Cooling	610	1440	1800
Heating	650	1700	2260	
Current (A)	Min.	Rated	Max.	
	Cooling	2.5	6.3	6.5
Heating	5.3	7.3	9	

1. Cooling Capacity Conditions: Indoor Temperature @ 80°F (26.7°C) DB; 67°F (19.4°C) WB with Outdoor Temperature @ 95°F (35°C) DB; 75°F (23.9°C) WB. Heating Capacity Conditions: Indoor Temperature @ 70°F (21.1°C) DB; 60°F (15.6°C) WB with Outdoor Temperature @ 47°F (8.3°C) DB; 43°F (6.1°C) WB. Line Set @ 25ft (7.5m); Height Difference @ 0ft (0m). 2. COP for all temperatures is @ rated output except when rated output is not given. In that case, COP is @ max. output. 3. System continues to operate below rated outdoor temperature operating range, subject to varying conditions. System has no low temperature cutout. Capacity is not tested outside of the rated temperature range. | Master Group is not responsible for the accuracy and validity of any changes made to this document without the written authorization of Master Group. Specifications subject to change without notice.

DIMENSIONS & WEIGHTS

Indoor	Net (WxDxH; in.)	40.28x9.65x12.56	
	Gross (WxDxH; in.)	43.11x12.80x15.75	
	Net Weight lbs kg	27.12	12.3
	Gross Weight lbs kg	35.71	16.2
Outdoor	Net (WxDxH; in.)	35.04x13.46x26.50	
	Gross (WxDxH; in.)	39.17x15.67x29.13	
	Net Weight lbs kg	100.97	45.8
	Gross Weight lbs kg	108.03	49

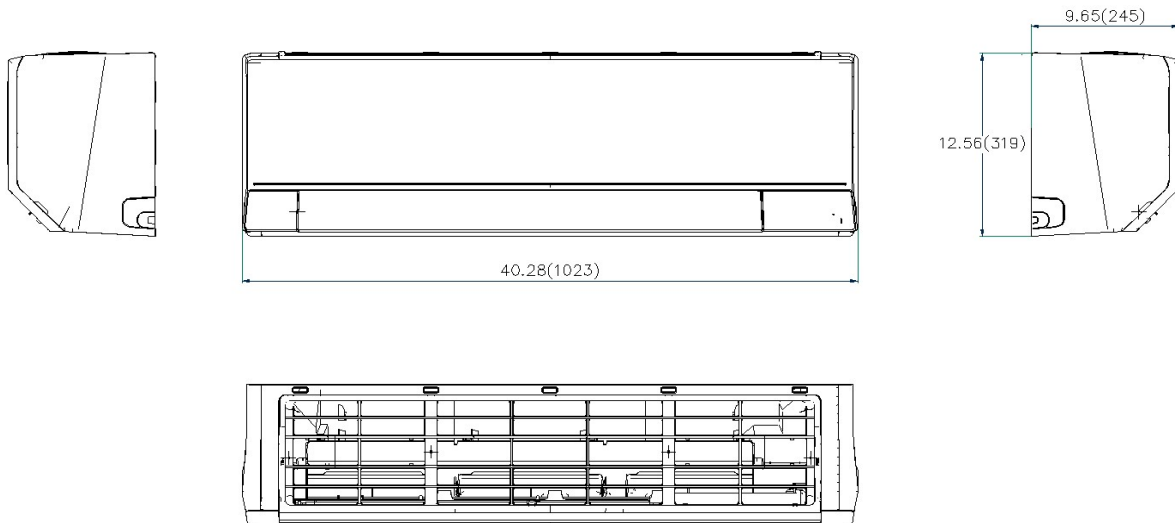
KEY FEATURES

Rotary Inverter Compressor	<input type="checkbox"/>
Twin Rotary Inverter Compressor	<input checked="" type="checkbox"/>
Base Pan Heater	<input checked="" type="checkbox"/>
Crankcase Heater	<input checked="" type="checkbox"/>

INCLUDED ACCESSORIES

RG10L2(D2HS)/BGEFU1 - Remote Controller	

INDOOR UNIT DRAWING



FAN

Indoor	Turbo	High	Med.	Low
CFM	635	523	376	305
dB(A)		46	42	24
Indoor ESP Range inWG				
Indoor Moisture Removal (l/h)				2.16
Outdoor Max. CFM				1765
Outdoor Max. dB(A)				59

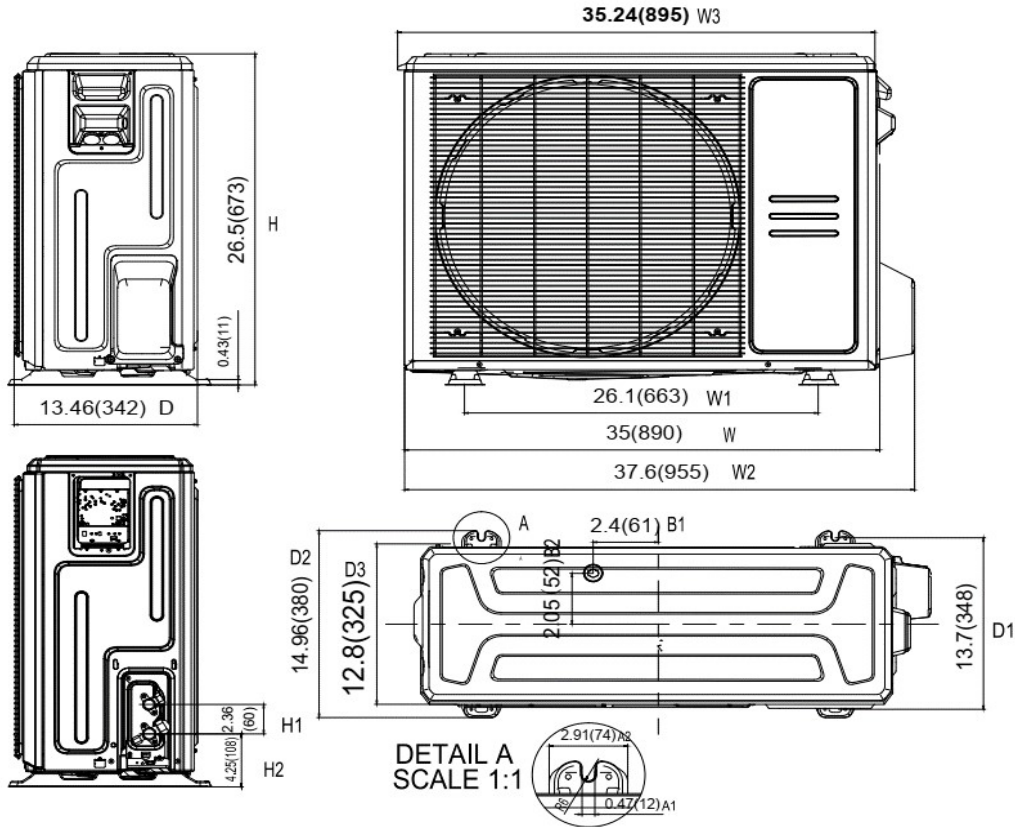
OPTIONAL ACCESSORIES⁴

17310900003167 - Wi-Fi Dongle	<input type="checkbox"/>
KJR-120L(R1)/EFU1 - Wired Controller	<input type="checkbox"/>
KJR-120N(X6)/BGEF - Wired Controller	<input type="checkbox"/>
KJR-120N1(X4)/BGEF - Wired Controller	<input type="checkbox"/>
24VINTERFACEKITUNIVERSAL	<input type="checkbox"/>
	<input type="checkbox"/>
	<input type="checkbox"/>
	<input type="checkbox"/>
	<input type="checkbox"/>
	<input type="checkbox"/>

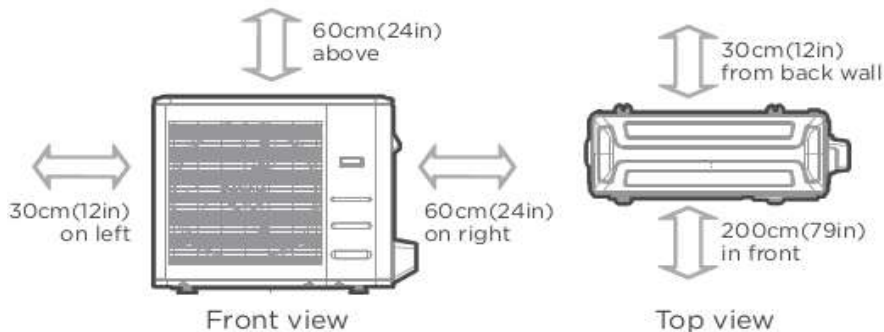
Tag									
inches									
mm									

Drawing dimensions are nominal. Specifications subject to change without notice. 4. Connection of these accessories may require secondary items not listed; refer to full product literature.

OUTDOOR UNIT DRAWING



OUTDOOR UNIT CLEARANCES



Note: Outdoor units must be elevated 12-24in. (30.5-61cm) above the surface below in heating applications to allow for snow clearance and defrost runoff. Follow local best-practices and guidelines.

Diagrams for reference only.

NOTES